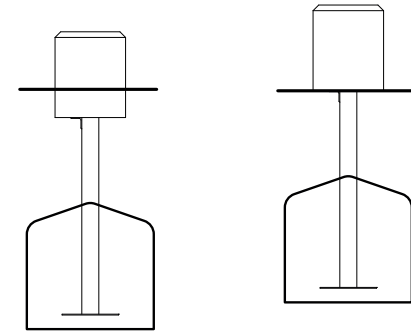
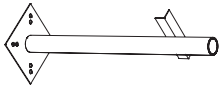
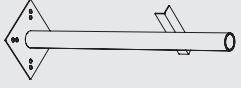
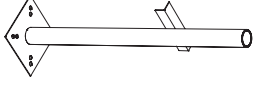
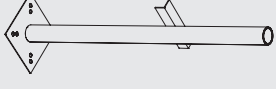

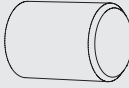
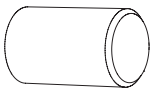


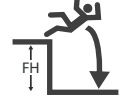
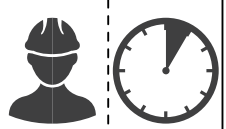


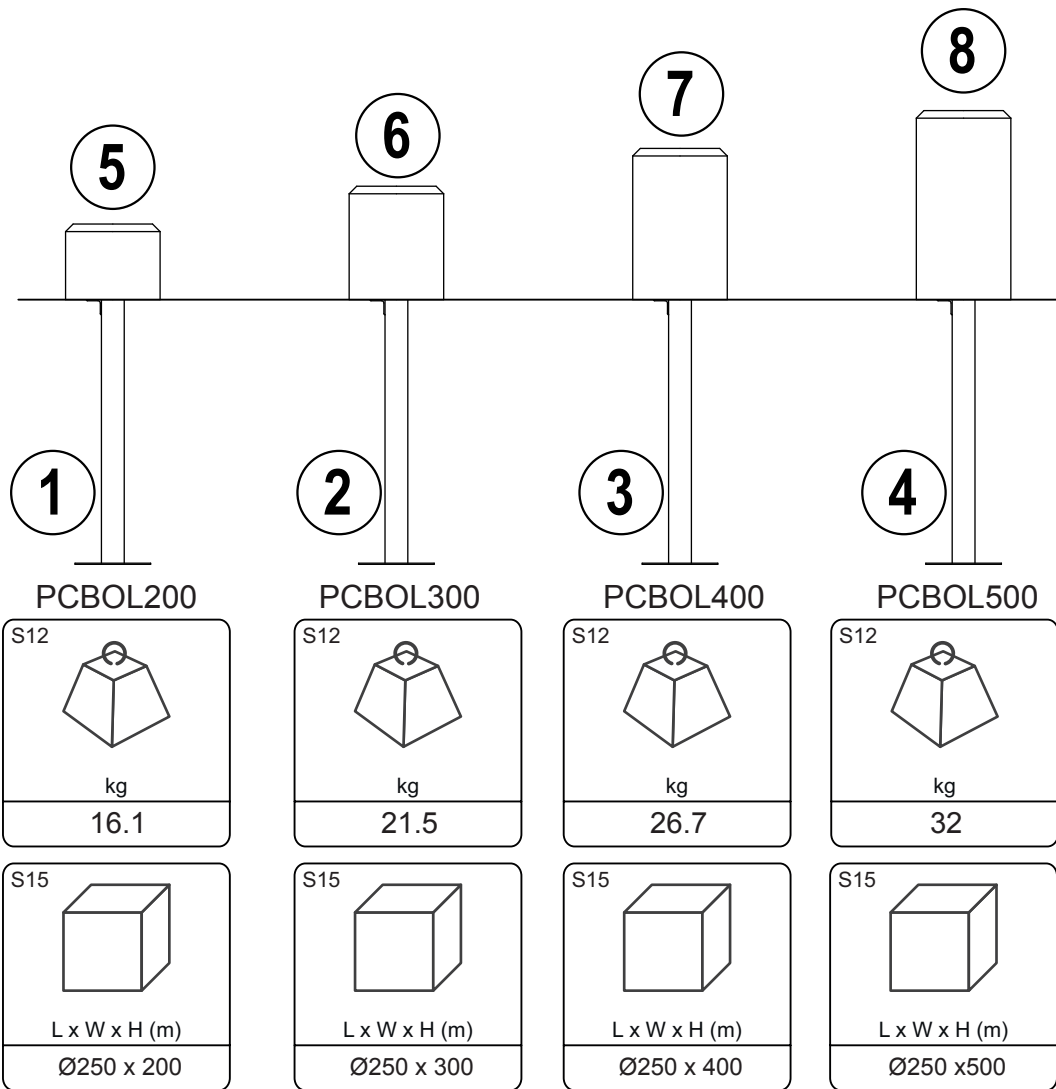


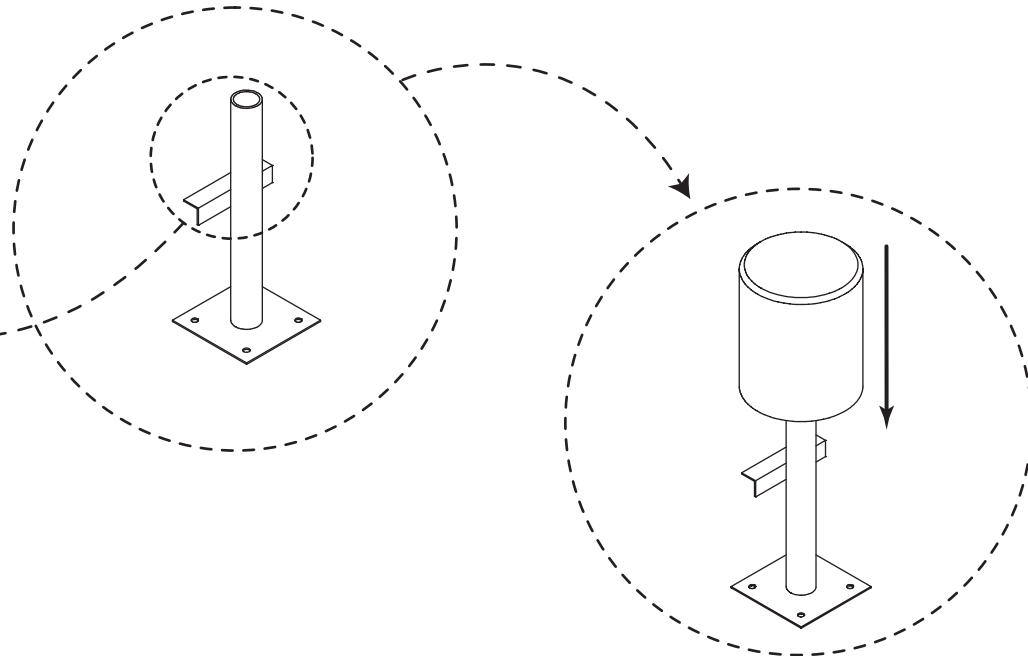
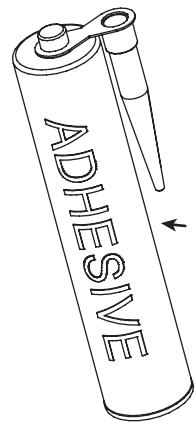
### CC & BM







1	803702	 820 x 200 x 200mm	x1	6.81Kg
2	803703	 920 x 200 x 200mm	x1	7.49kg
3	803704	 1020 x 200 x 200mm	x1	8.16kg
4	803705	 1120 x 200 x 200mm	x1	8.84Kg
5	RYBL200	 Ø250 x 200mm	x1	9.33g
6	RYBL300	 Ø250 x 300mm	x1	13.95Kg
7	RYBL400	 Ø250 x 400mm	x1	18.57kg
8	RYBL500	 Ø250 x 500mm	x1	23.20Kg
9	RYADHBK	 ADHESIVE ARO-SEAL 1132 <a href="http://www.thenamethatsticks.com/products/?qt=Sealant">www.thenamethatsticks.com/products/?qt=Sealant</a>	x1	

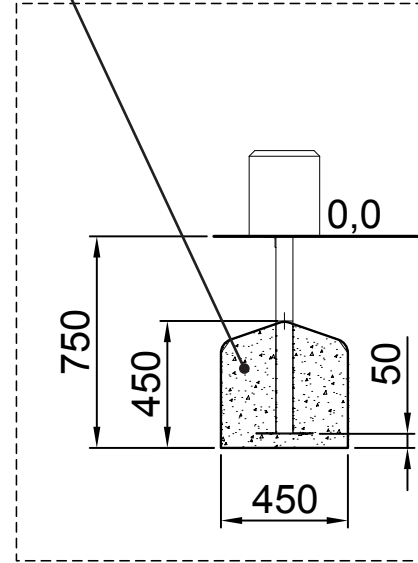
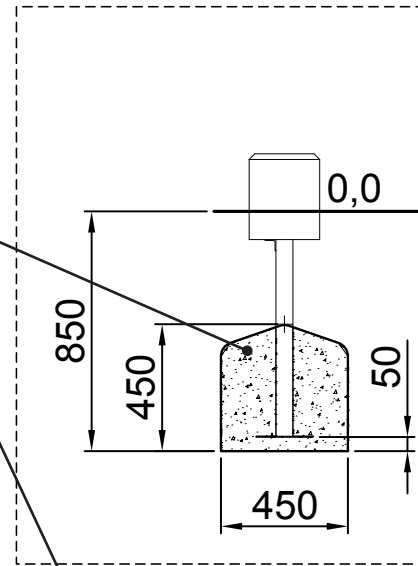
S6  EN1176 0.5m	S20  1 x 4	S13  m <sup>3</sup> 0.1	S14  m <sup>2</sup> 5 x 5
--	--	--	--





S25	
S2 (50mm) ≥C20-25	
	7 x 24h
	101

S13	
m <sup>3</sup> 0.1	

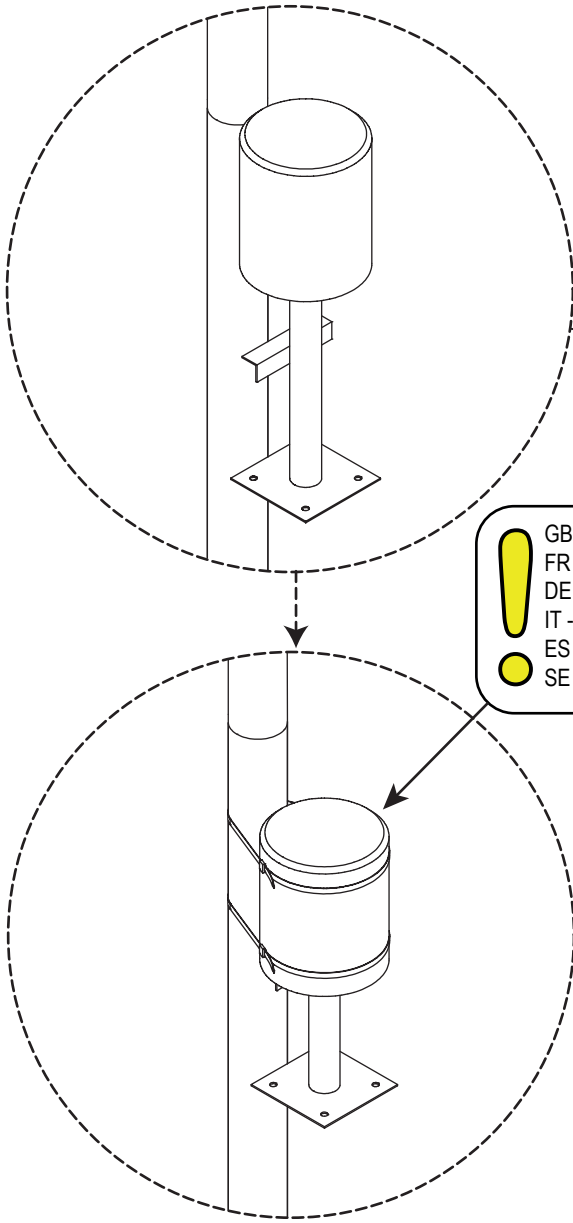


S1		144 - 1
----	--	---------

S2		144 - 2
----	---	---------

S3		144 - 3
----	---	---------

S5		144 - 5
----	---	---------



- ! GB - Protect from concrete
- FR - Protéger contre le béton
- DE - Schutz vom Beton
- IT - Proteggere dal cemento
- ES - Proteger contra el hormigón
- SE - Skyddas mot betong

