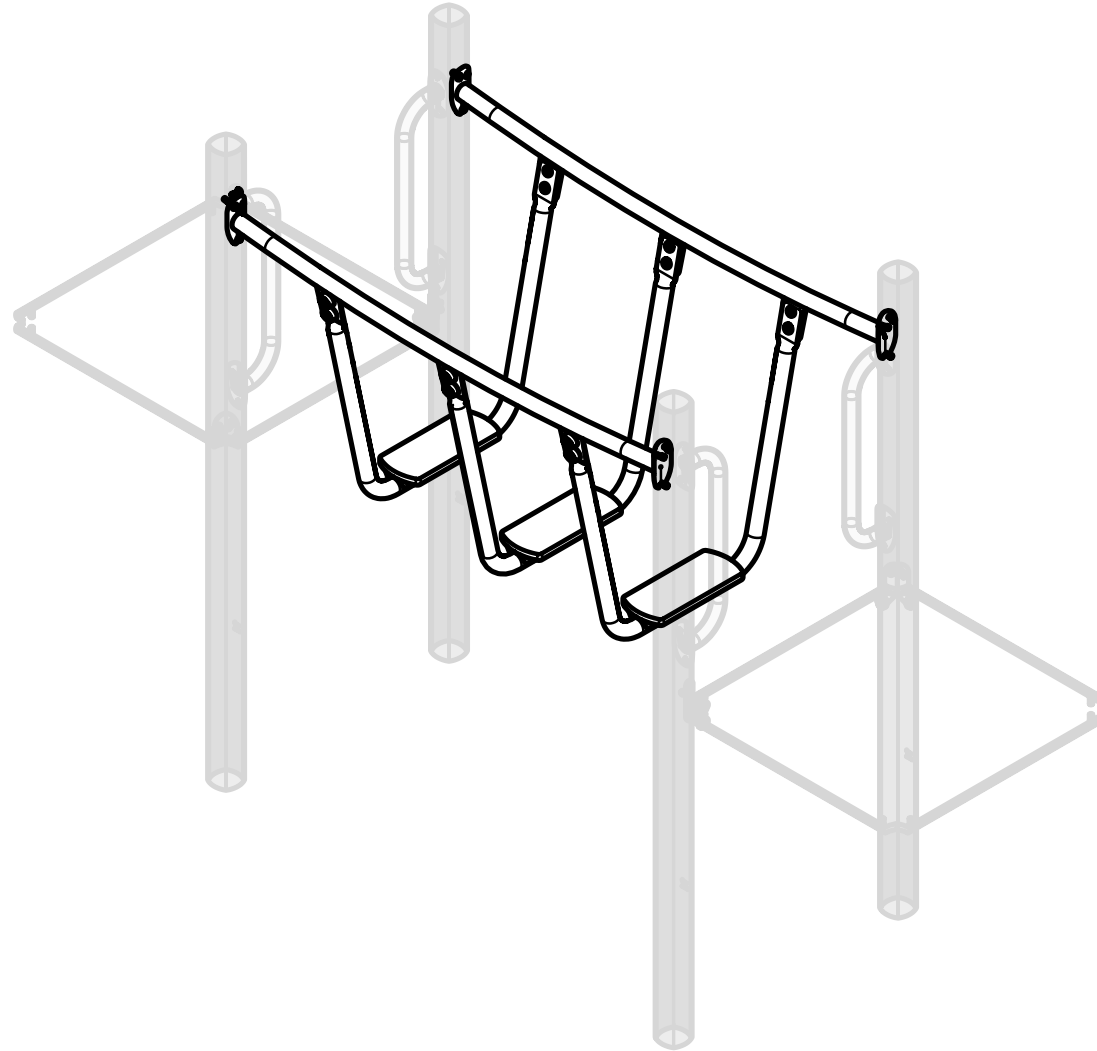










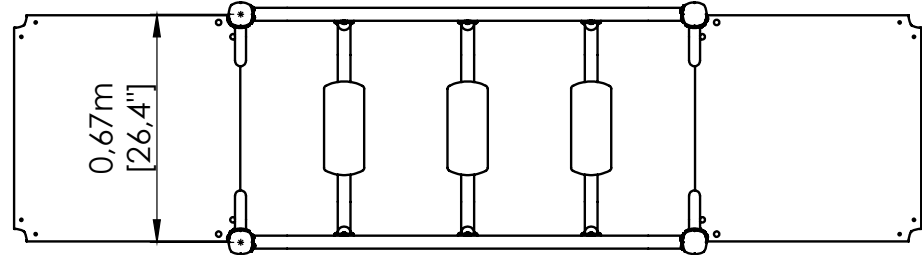
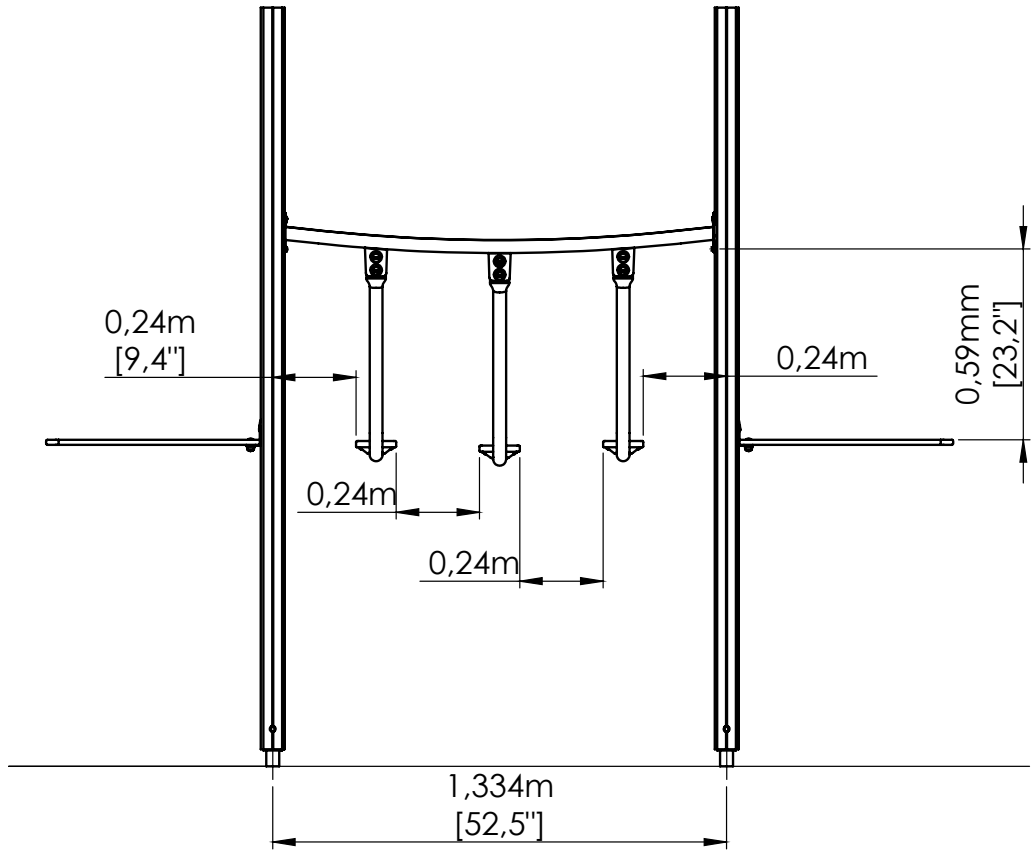
HAGS®

UniMini Step Bridge - steel post

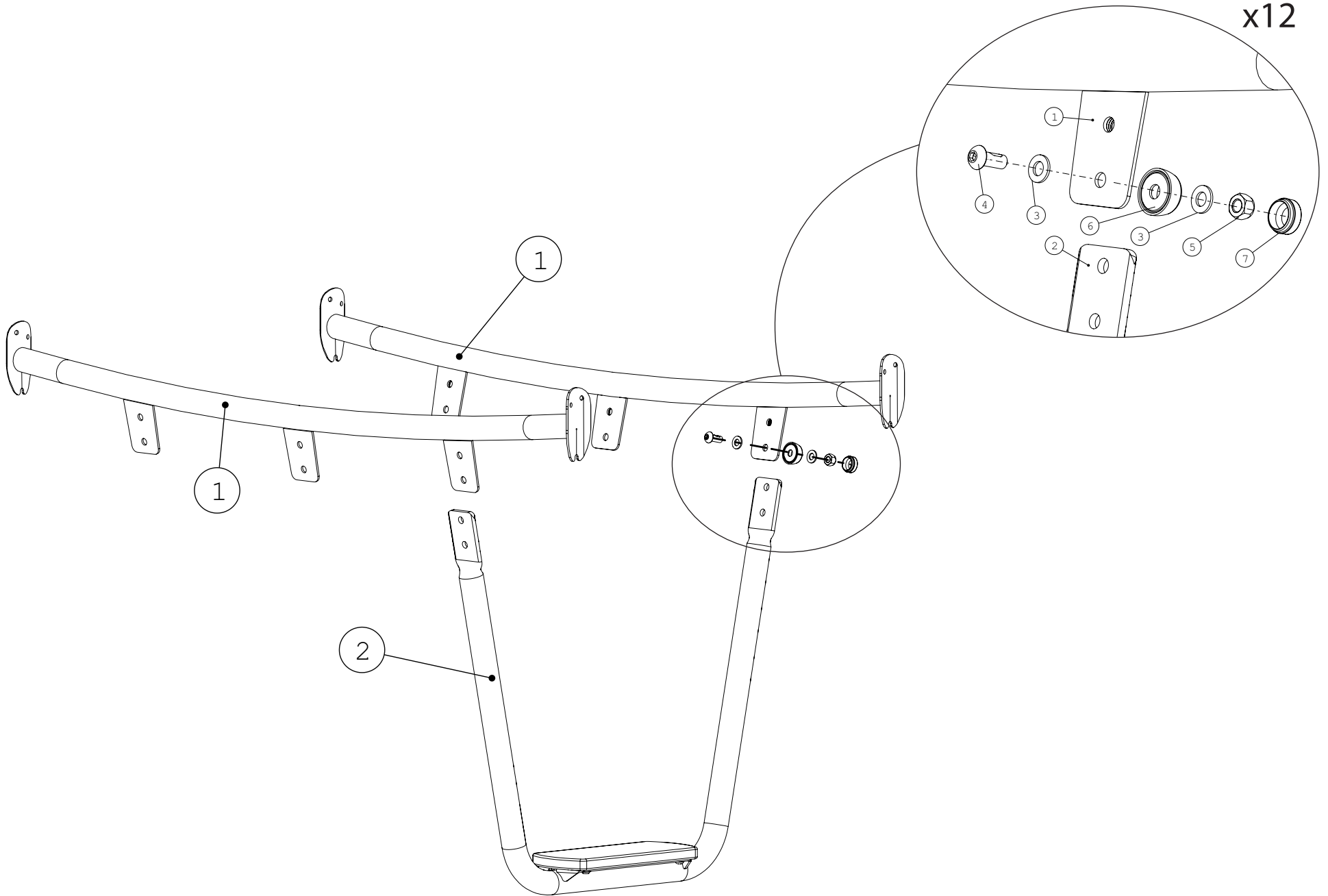
6712-061207



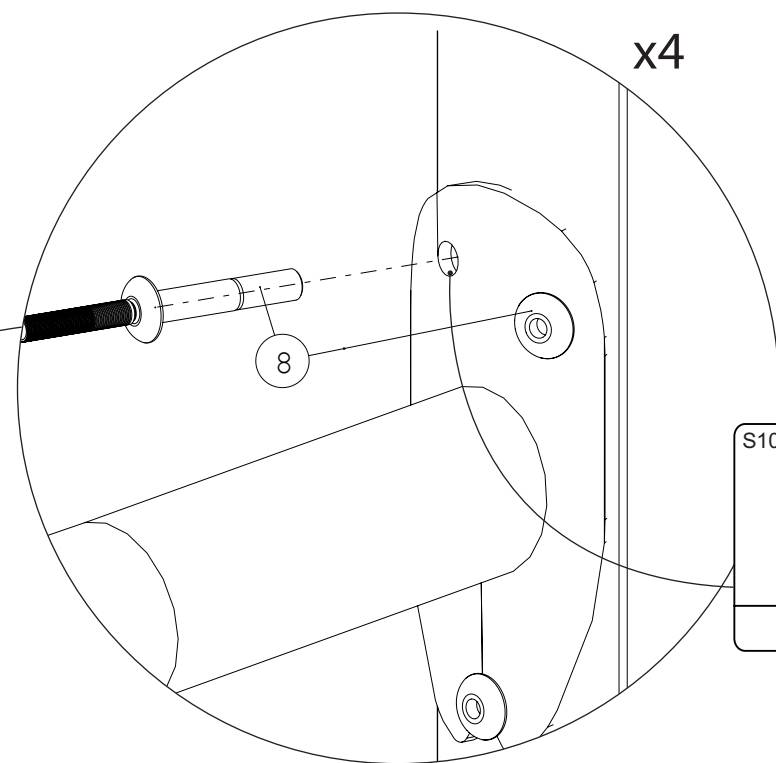
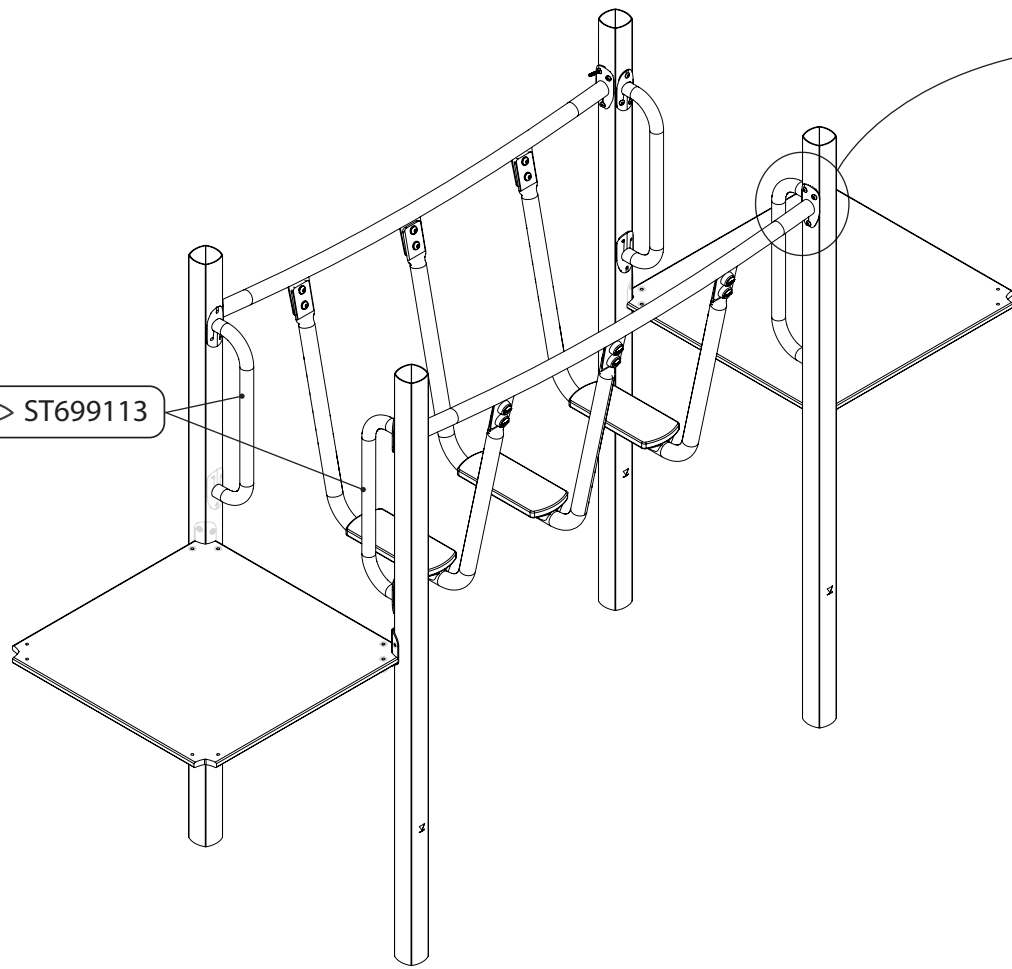
1	31-05712		2x 1280 x 200 x 100	3.9kg
2	32-05710		3x 660x600 mm	5.42kg
3	8050050		24x ISO7089-10.5x20x2	0.01kg
4	8008458		12x Screw, ISO7380-1-M10x25-10.9-KL	0.02kg
5	8042810		12x Nut, ISO7042-M10-8	0.01kg
6	43-04818		12x CAP 10, Ø17x14,5 mm	0.01kg
7	43-04820		12x Cover 10, Ø25x12mm	0.01kg
8	8008902		12x Ø6-R8-E (2-16)	0.01kg



x12




ST699113



x4

S10



mm
Ø6.8