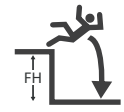
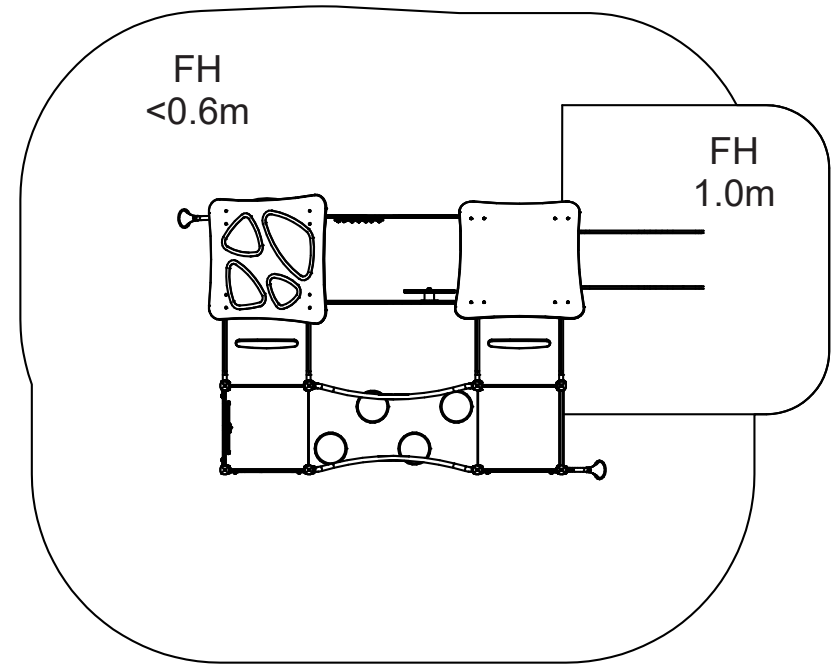
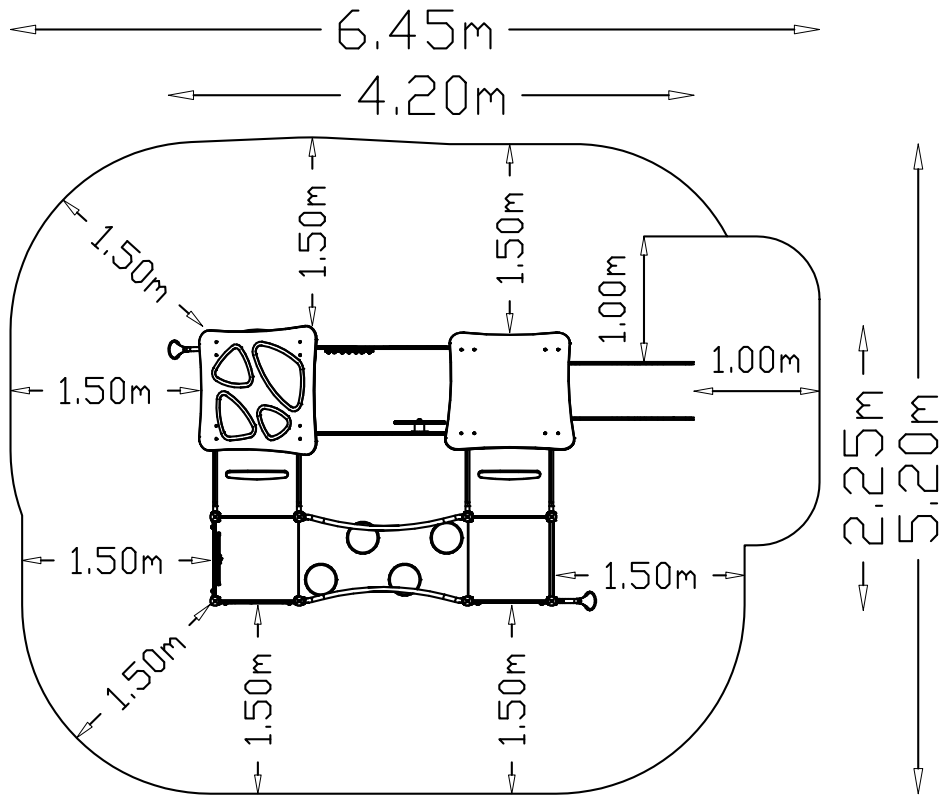


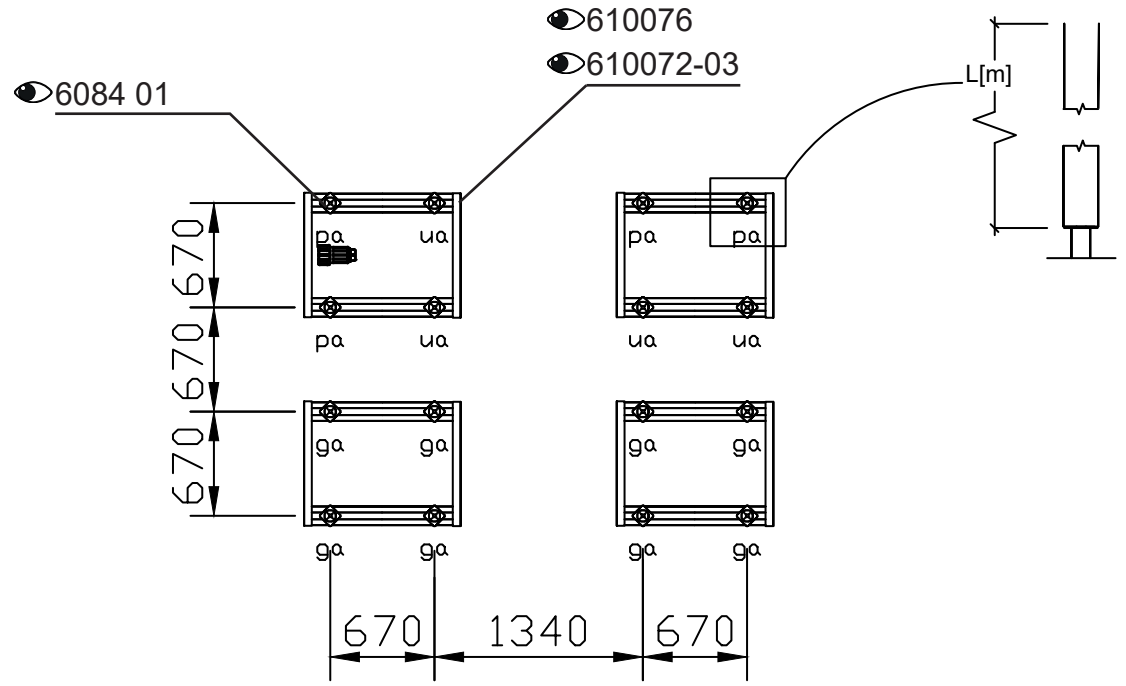
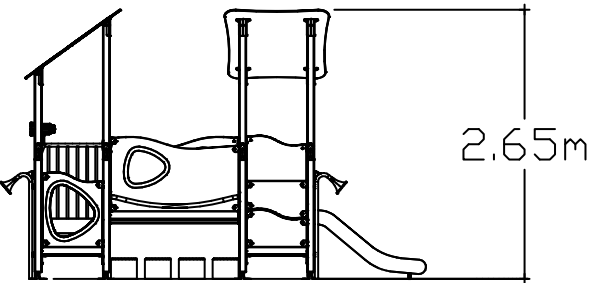
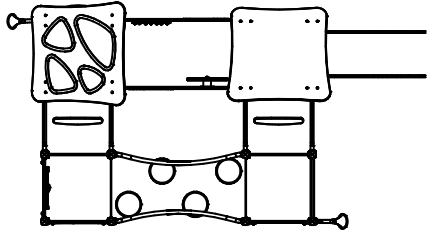
S6

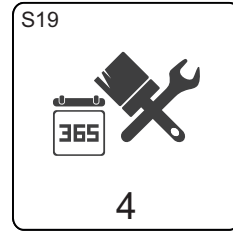
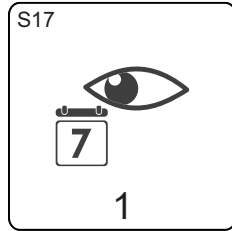
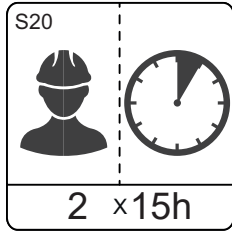
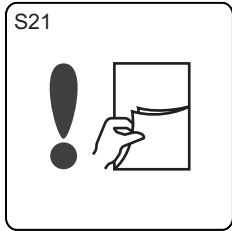


EN1176
<0.6m

EN 1176







610076

610072-03

6084 01

6101

612313

MASW89777 - SF

MASW98805 - OM

MASW89852

MASW90023

MASW97030

MASW85585

MASW44695

MASW52145

MASW94859

420 912 10

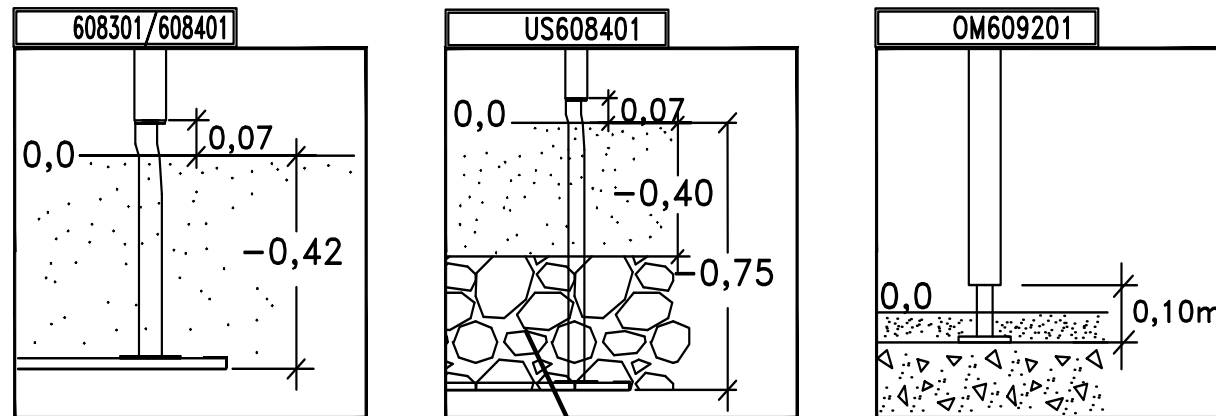
6952

MASW90339

6340

260329

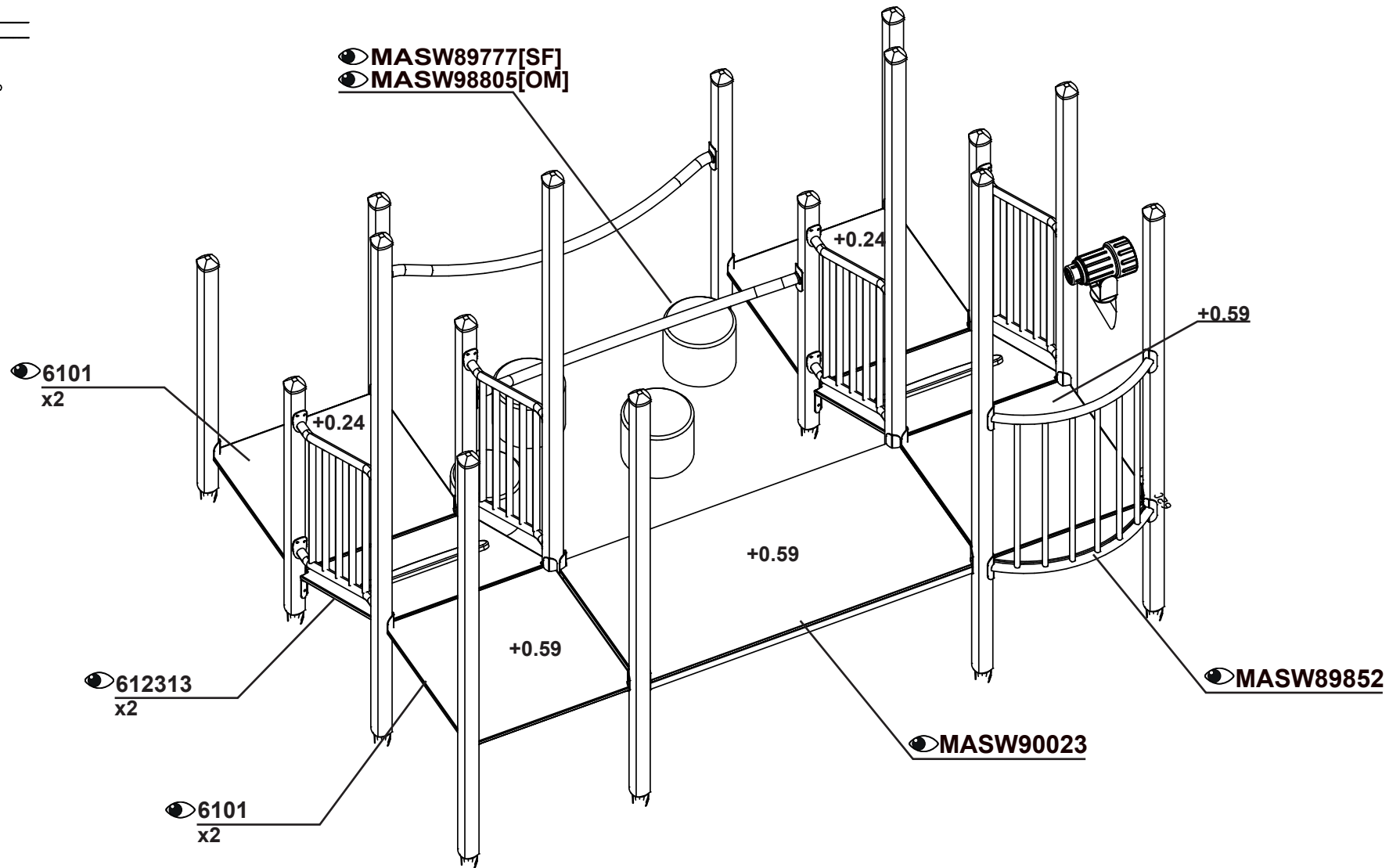
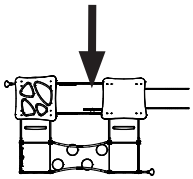
6099

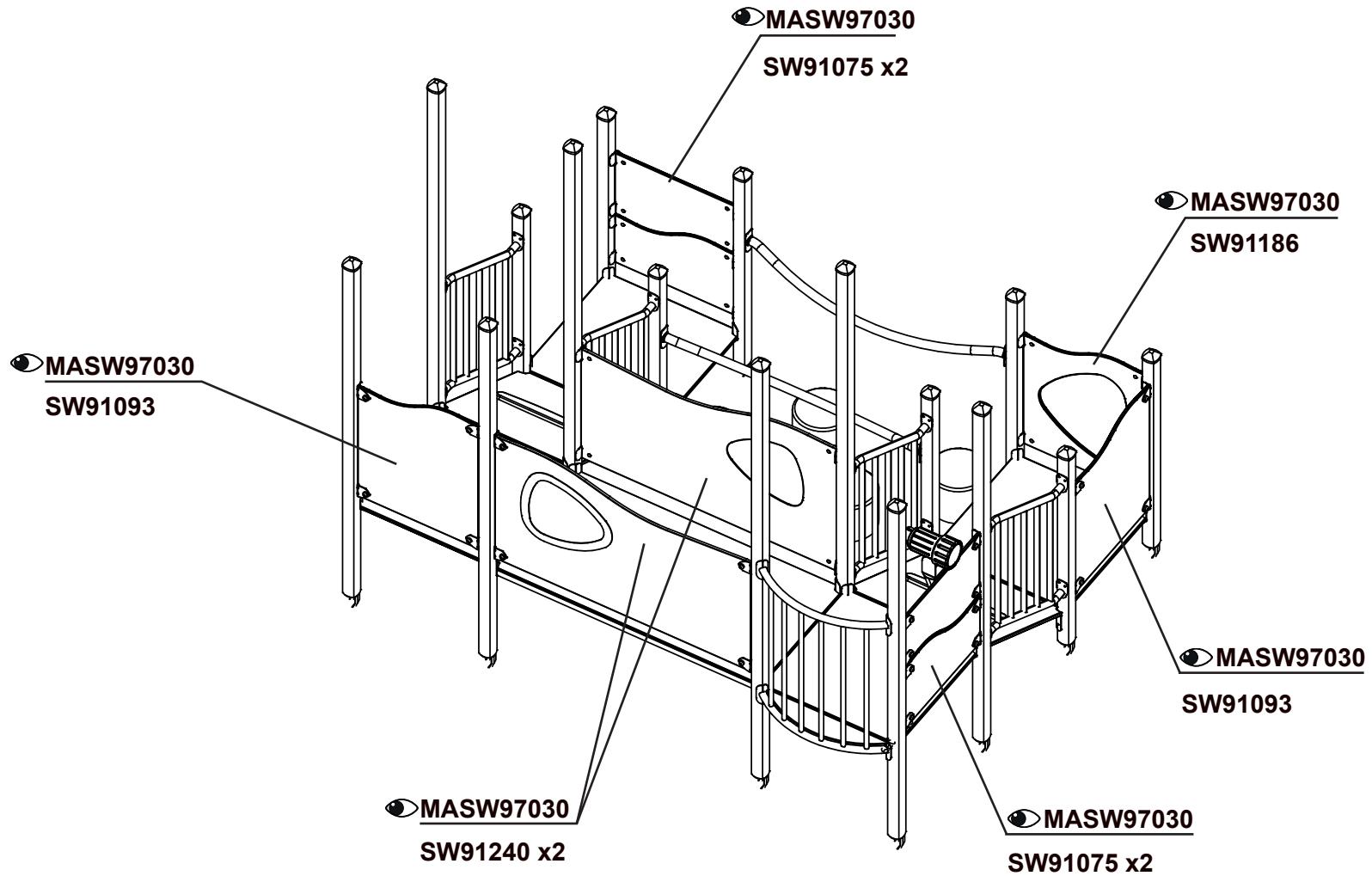
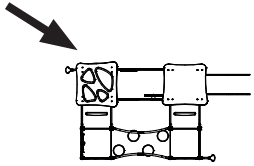


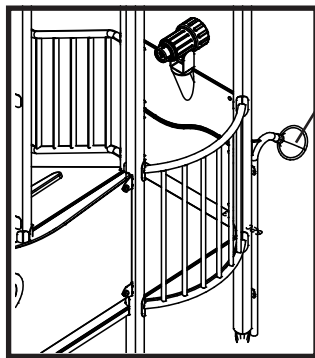
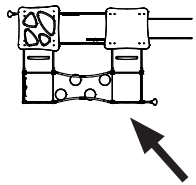
SF
Sunken Foundation
8098217

BM
Loosefill

OM
Above Ground
8098217





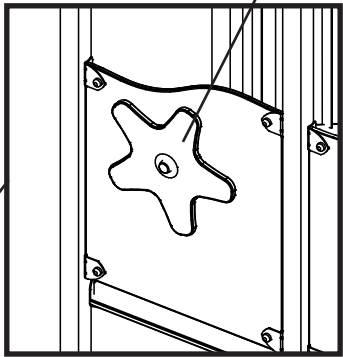


42091210

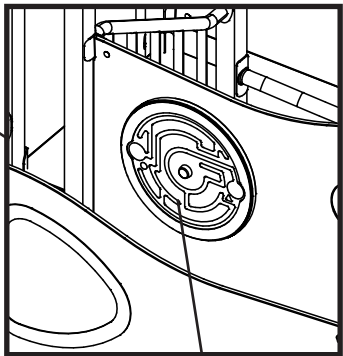
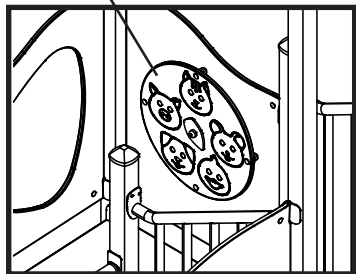
MASW52145

6952

MASW44695

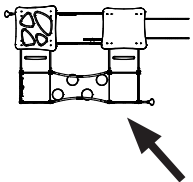


MASW85585



42091210

MASW94859

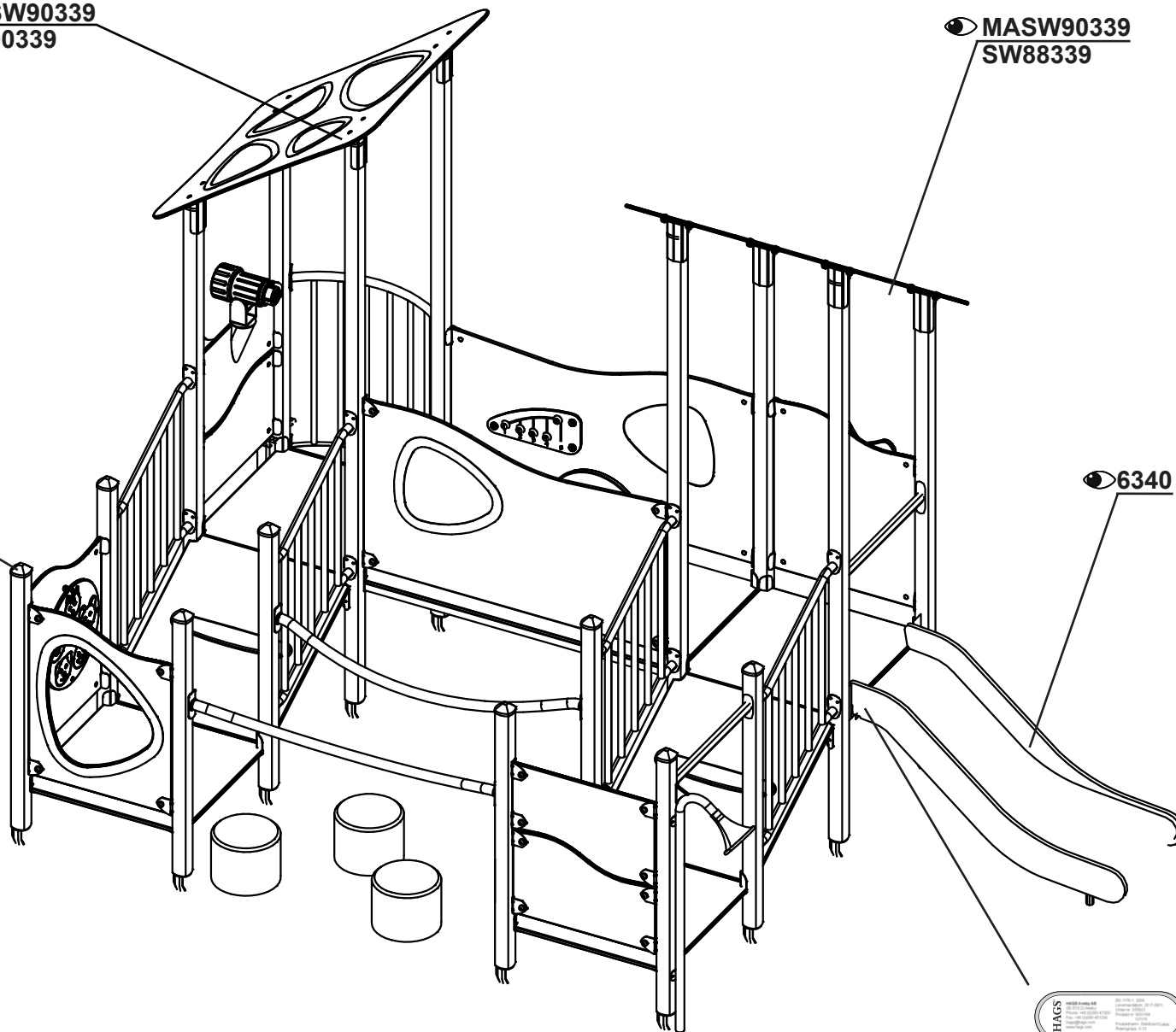


MASW90339
SW90339

MASW90339
SW88339

6099
x8

6340



260329