

Assembly View (representative model)




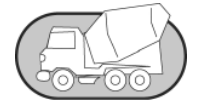
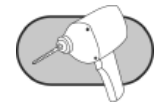


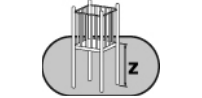
Installation Instructions

Universal Models UN8730 and UN8730S
PlayCubes Slide & Barrier
In-Ground and Surface Mount

Installation Preparation

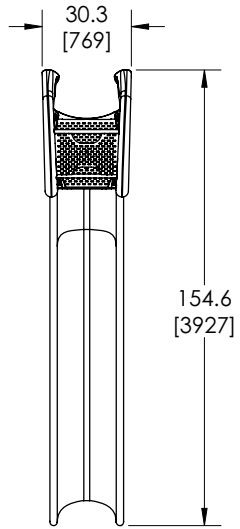
Recommended Crew: Two (2) adults
 Installation Time (In-Ground): 3.5 man-hours
 Installation Time (Surface Mount): 2 man-hours
 Concrete Required: 0.09 cubic yard (0,06 cubic meters)
 Use Zone: See the master layout drawing
 User Group Age (years): ASTM/CSA: 5-12, EN: 6-14

ICON KEY

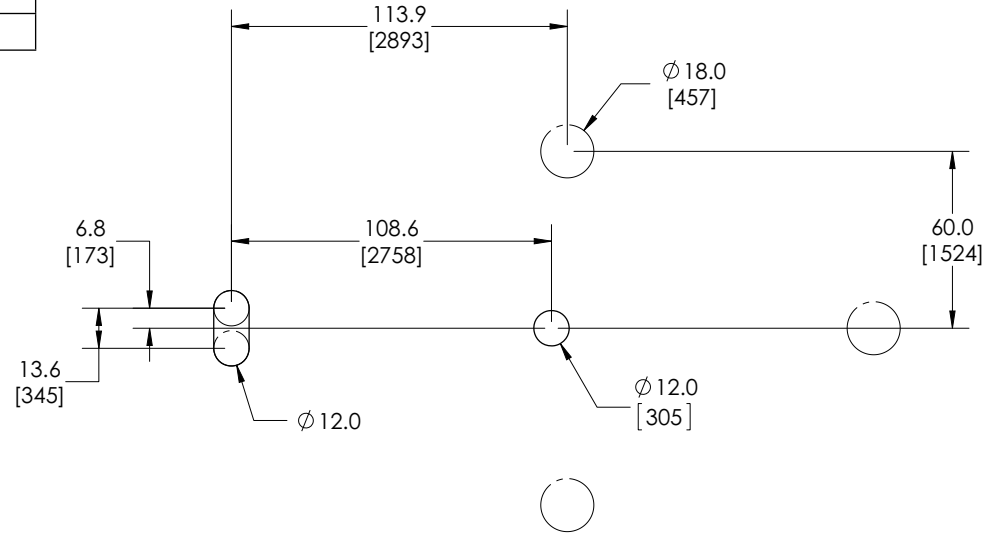
	Fully Tighten Hardware		Add 1 Drop of Thread Locking Adhesive
	Do Not Fully Tighten Hardware		Pour Concrete
	Drill		Dig Footing Holes
	Hammer		Critical Fall Height

Installation Instructions

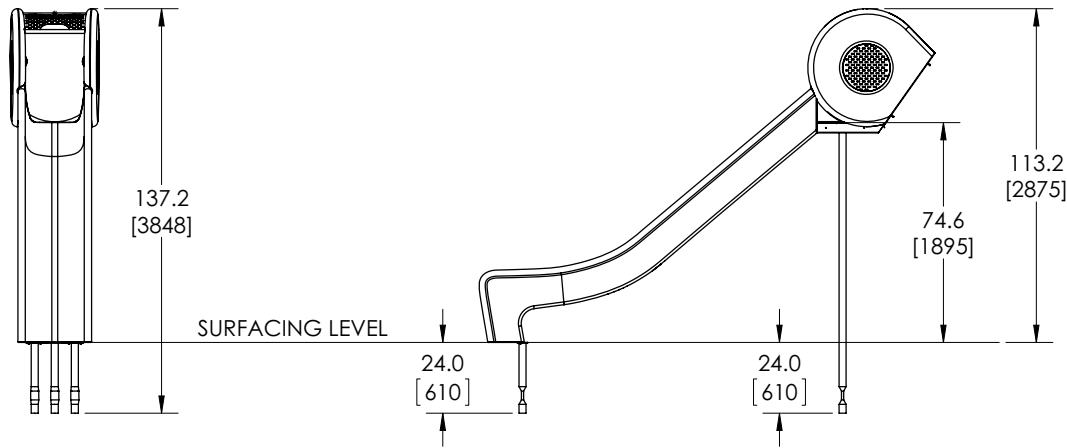
Top View



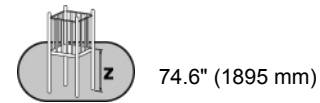
KEY	
Position	Unit of Measurement
Top #	Inches
Bottom #	[Millimeters]



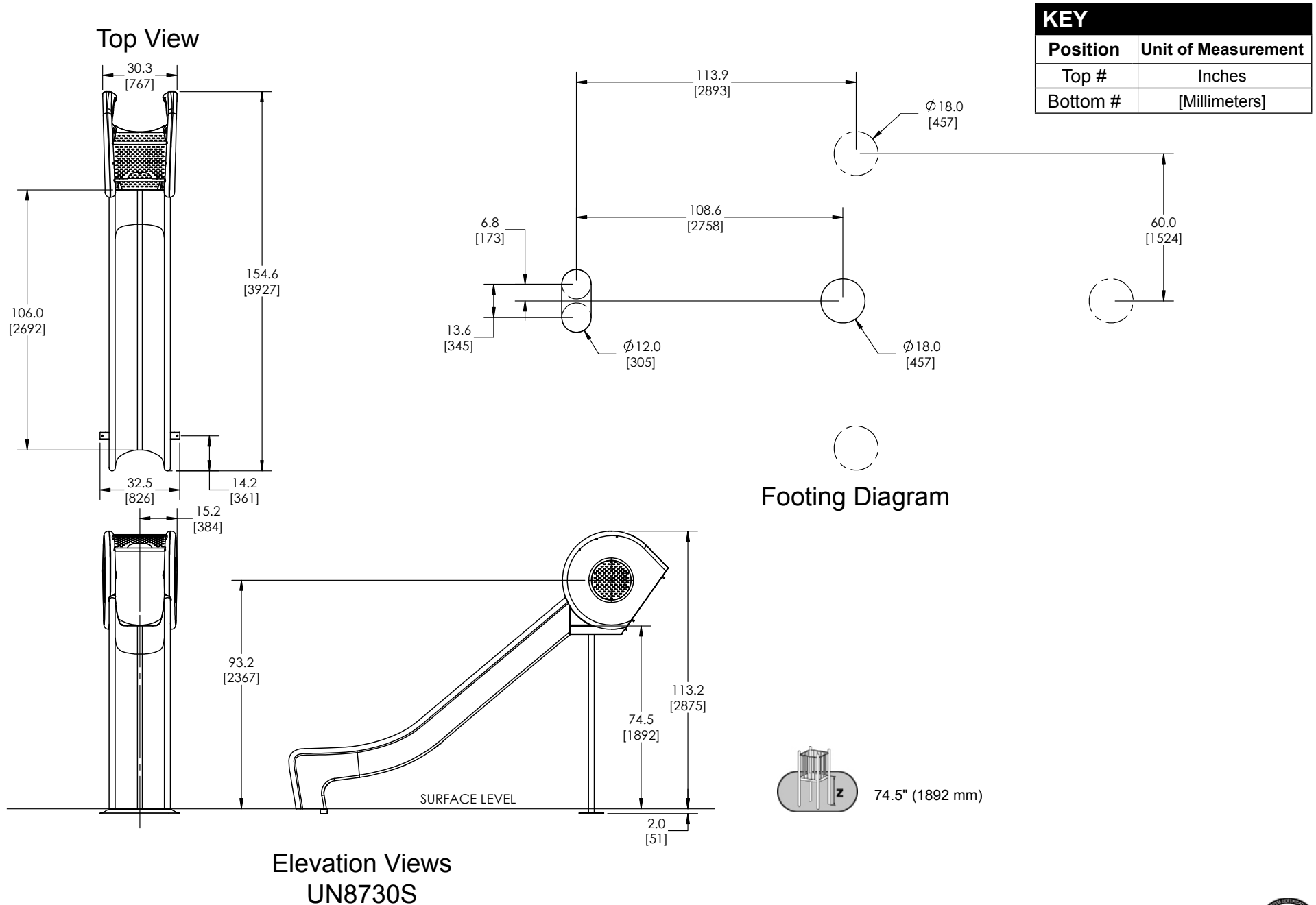
Footings Diagram



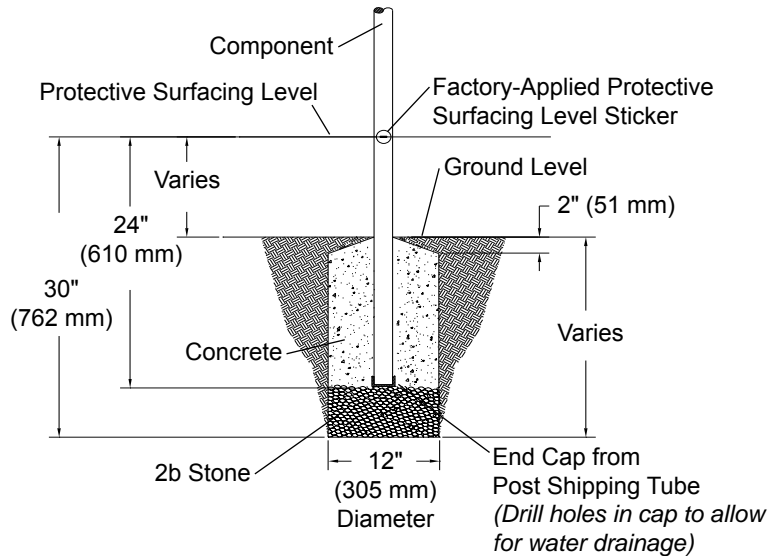
Elevation Views
UN8730



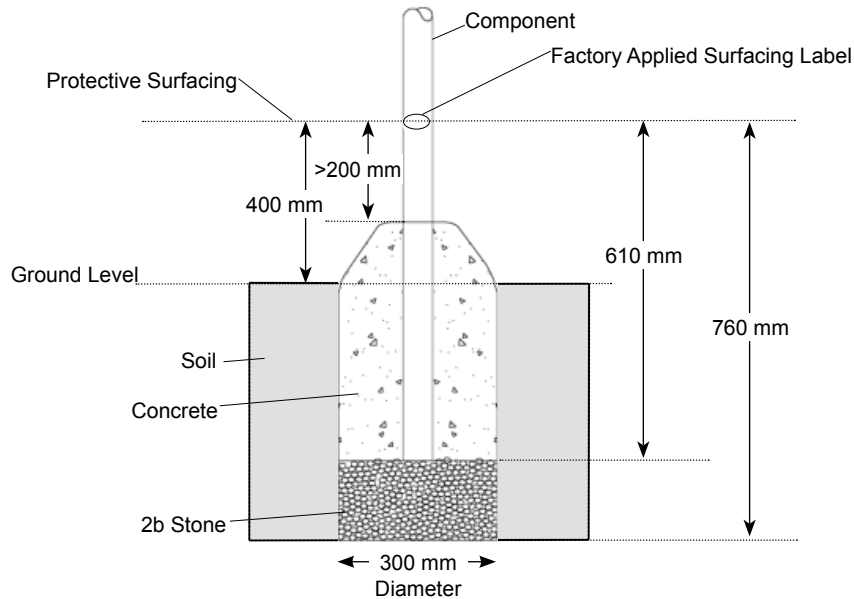
Installation Instructions



Installation Instructions



Component Footing Detail (ASTM/CSA)

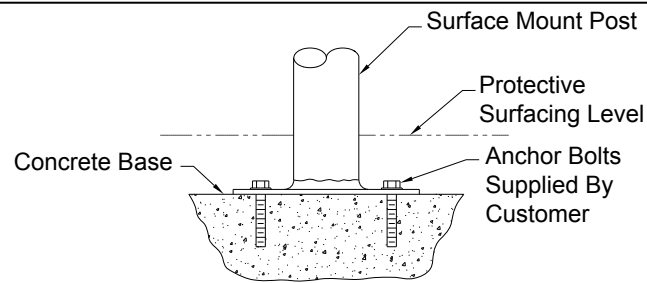


Footing Detail Component Post (EN)

FOOTING NOTES

- Component footing depth equals 30 in. (762 mm) less the depth of the protective surfacing material. The post is designed to have 12" (305 mm) in concrete.
Example: If 12 in. (305 mm) of wood mulch is used for surfacing, the footing depth would be 18 in. (457 mm).
- Some support posts and component support legs may have either a factory-applied sticker with line, or factory-applied mark designating protective surfacing level on a clear and level installation site.
- If play structure is installed on uneven terrain, maintain support post mark at protective surfacing level at lowest grade. Adjust other footings accordingly. Support posts and all attaching decks and play components must be plumb and level.
- Do not encase bottom of support post in concrete. Place post directly on packed stone or porous block.
- The footings shown on Playworld Systems' documentation are recommendations based on historical performance in average soil conditions. Footing dimensions may be modified by the owner based on actual soil conditions.
For example:
 - If local soil is loose or unstable, a larger footing may be required.
 - If local soil is considered stable, such as bedrock, clay or hard packed earth, a smaller footing may be used. Before changing footing dimensions, we strongly recommend that the footings be reviewed and approved by a registered engineer.
- Base of footing must be below frost line.
- Assemble the entire structure before pouring concrete unless specifically instructed to do so in the individual component installation instructions.

Installation Instructions



Surface Mount Footing Detail (2" Surfacing)

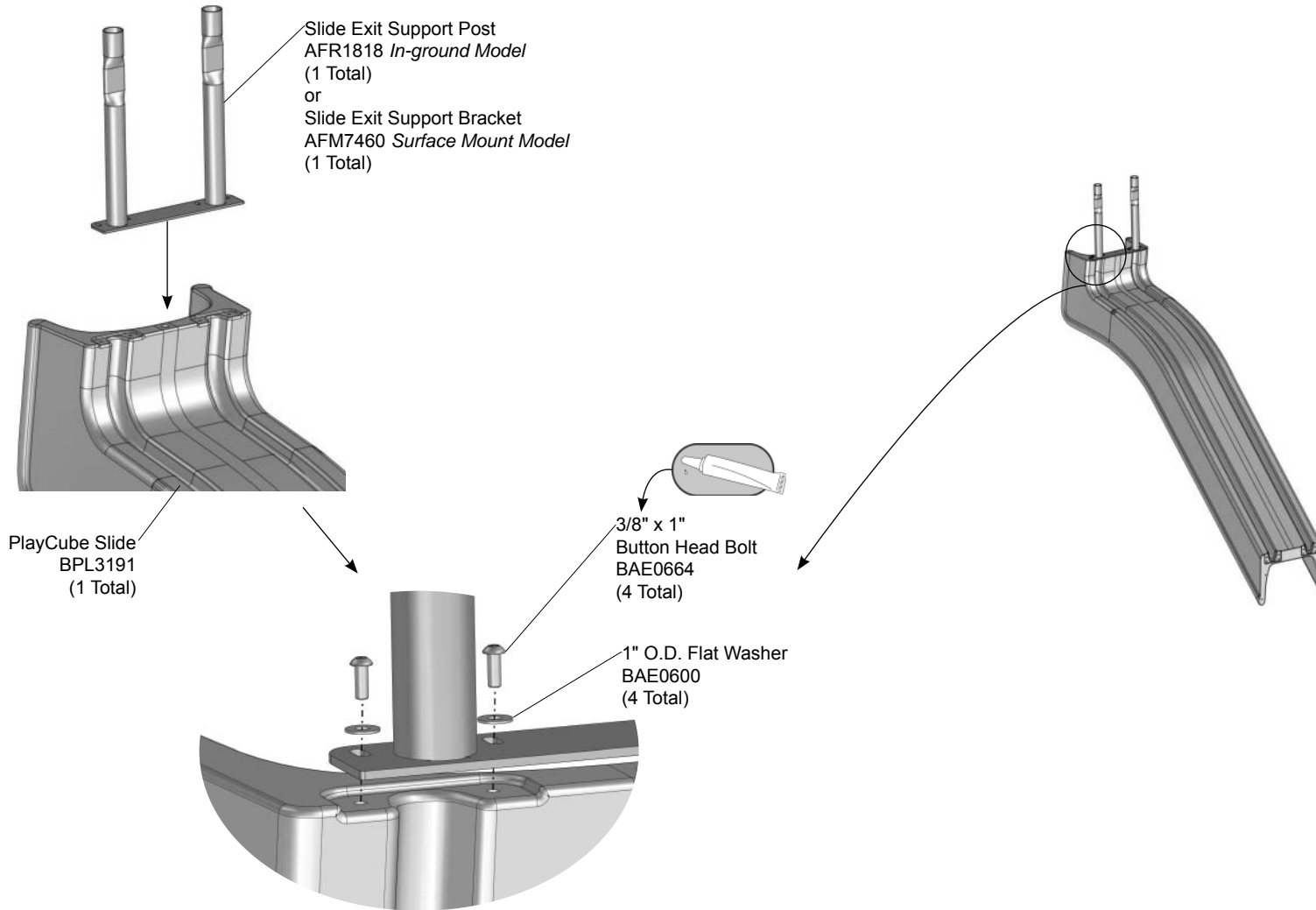
FOOTING NOTES

- All support posts and component support legs may have either a factory-applied sticker with line, or factory-applied mark designating protective surfacing level on a clear and level installation site.
- If play structure is installed on uneven terrain, maintain support post mark at protective surfacing level at lowest grade. Adjust other footings accordingly. Support posts and all attaching decks and play components must be plumb and level.
- Footing size may vary due to local soil and weather conditions.
- Base of footing must be below frost line.
- Comparison of protective surfacing materials is available in [Handbook for Public Playground Safety](#) published by U. S. Consumer Product Safety Commission.

Surface mount hardware is not supplied. Customer is responsible for concrete base and providing surface mount hardware as specified by a registered structural engineer for each specific project application.

Installation Instructions

Follow the details in alphabetical order. For clarification, each detail references the step description. The step descriptions start on page 12.

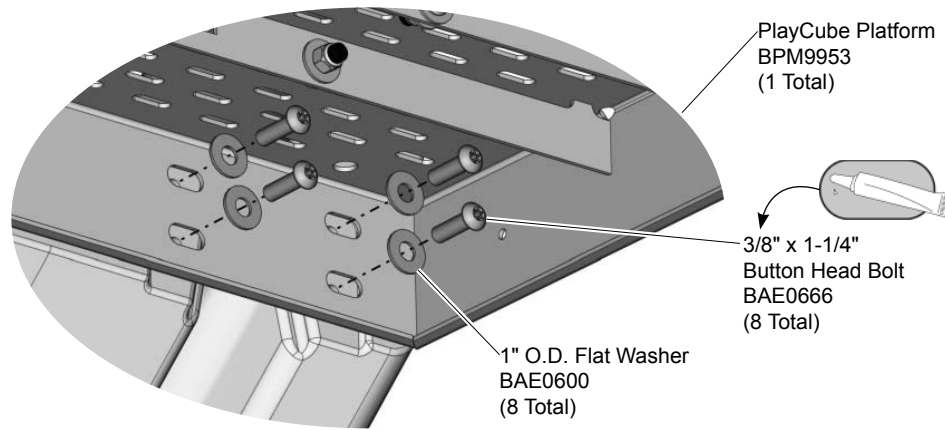


Detail A Step 4



Attach the exit support post/bracket to the slide.

Installation Instructions



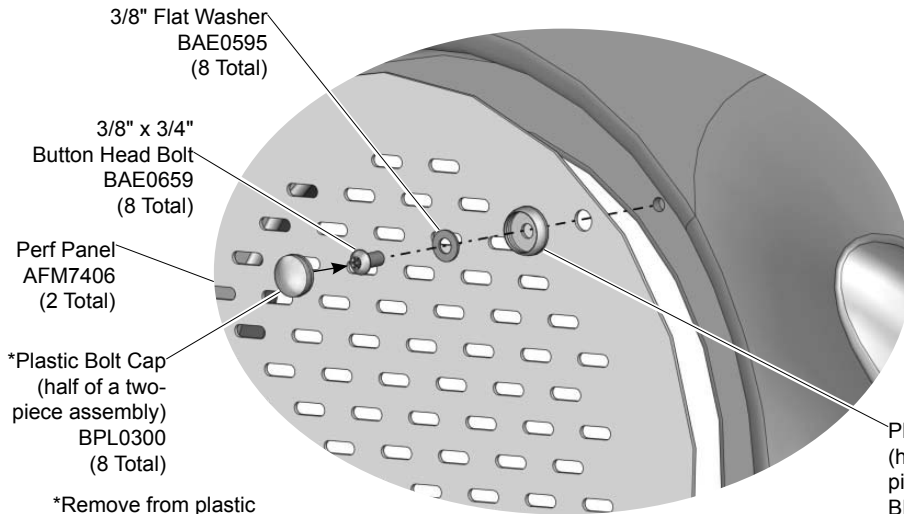
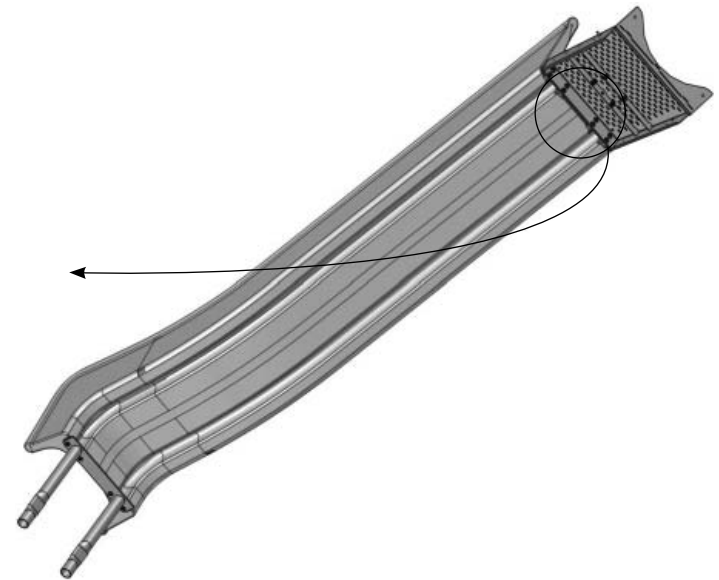
PlayCube Platform
BPM9953
(1 Total)

3/8" x 1-1/4"
Button Head Bolt
BAE0666
(8 Total)

1" O.D. Flat Washer
BAE0600
(8 Total)

Detail B
Step 5

Attach the platform to the slide.



3/8" Flat Washer
BAE0595
(8 Total)

3/8" x 3/4"
Button Head Bolt
BAE0659
(8 Total)

Perf Panel
AFM7406
(2 Total)

*Plastic Bolt Cap
(half of a two-
piece assembly)
BPL0300
(8 Total)

*Remove from plastic
washer and retain.
Do **NOT** install until after
structure is completed

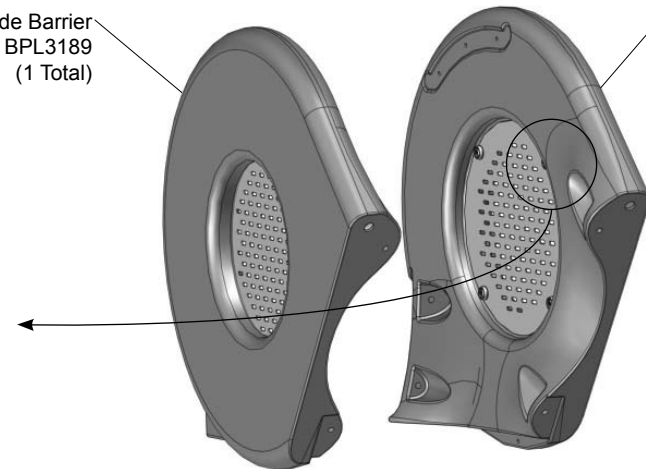
Detail C
Step 6

Attach the perf panels to the slide barriers.

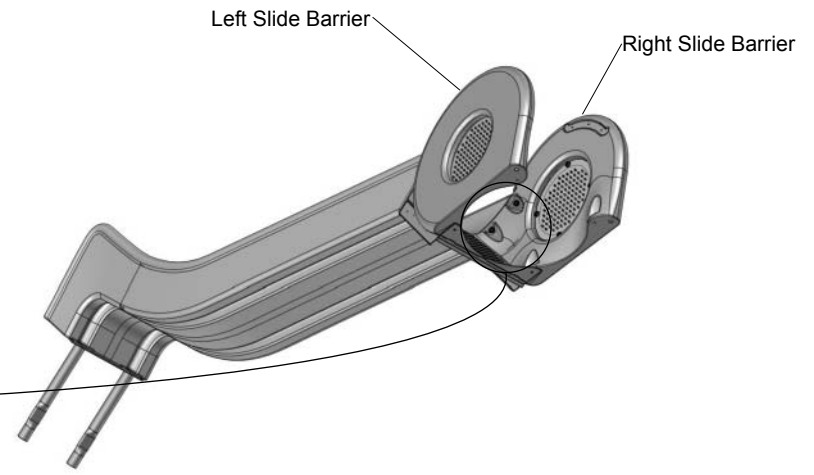
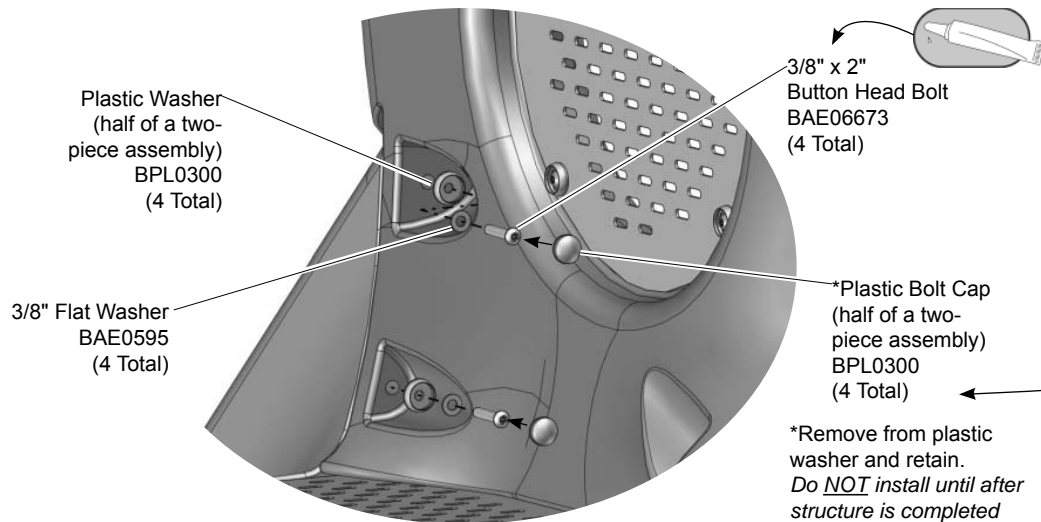
Plastic Washer
(half of a two-
piece assembly)
BPL0300
(8 Total)

Left Slide Barrier
BPL3189
(1 Total)

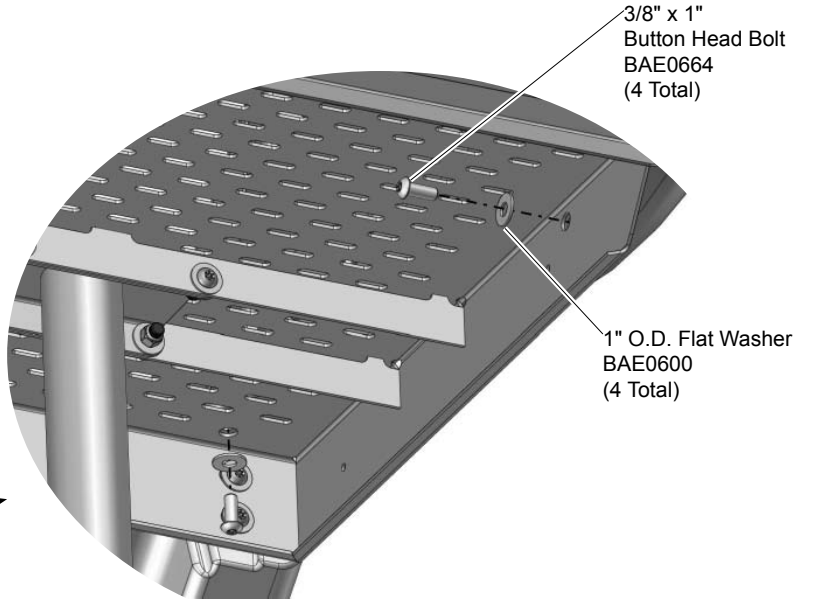
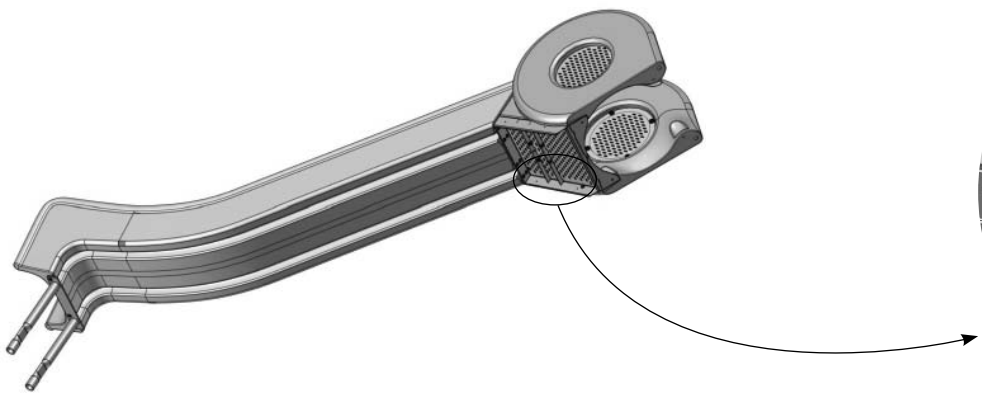
Right Slide Barrier
BPL3190
(1 Total)



Installation Instructions

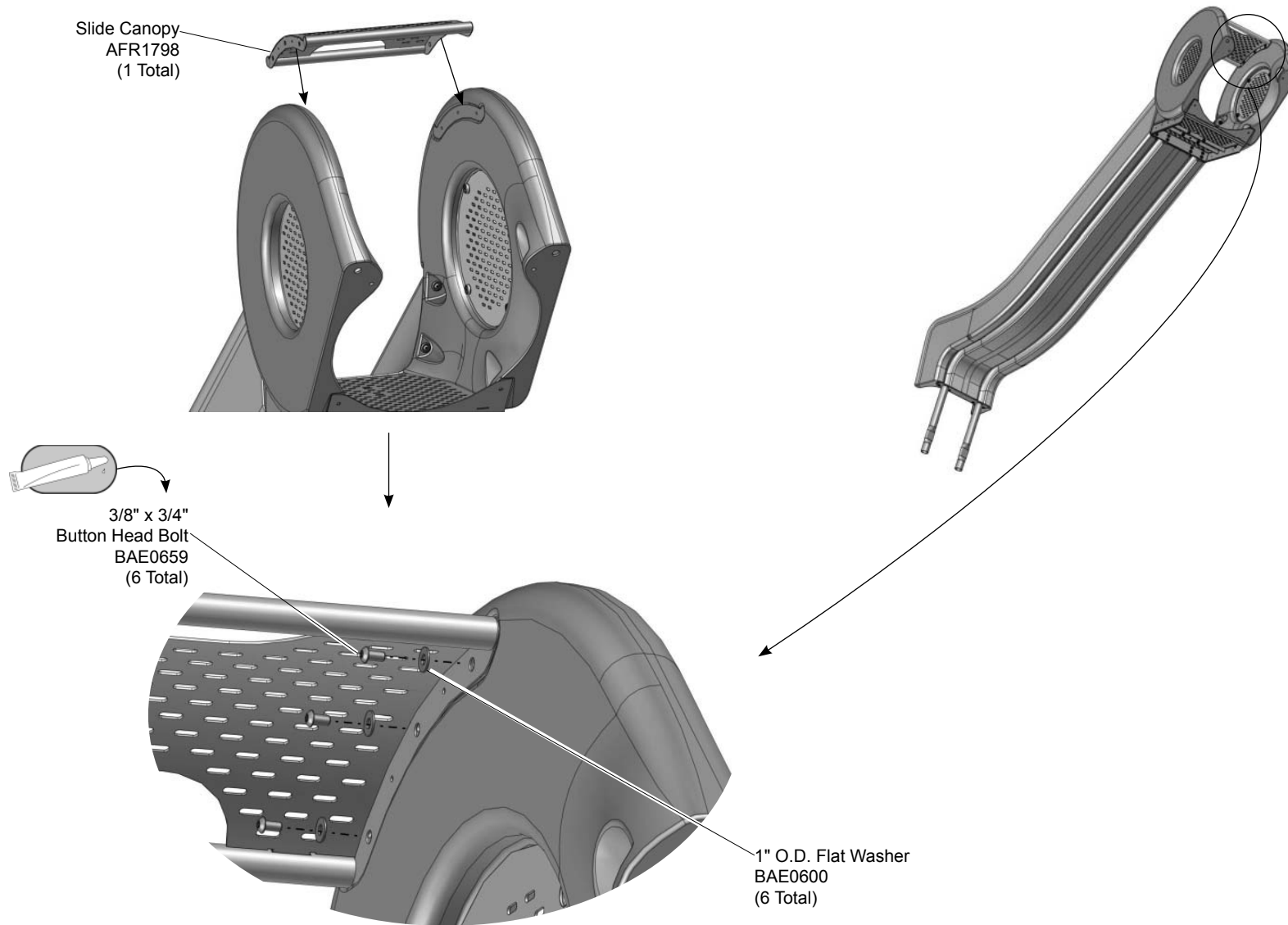


Detail D
Step 7
 Attach the slide barriers to the slide.



Detail E
Step 8
 Attach the slide barriers to the platform.

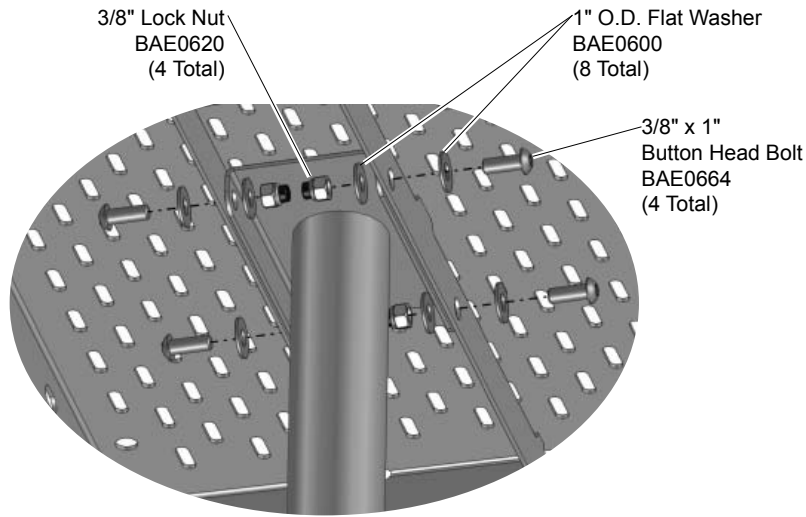
Installation Instructions



Detail F 
Step 9

Attach the canopy to the slide barriers.

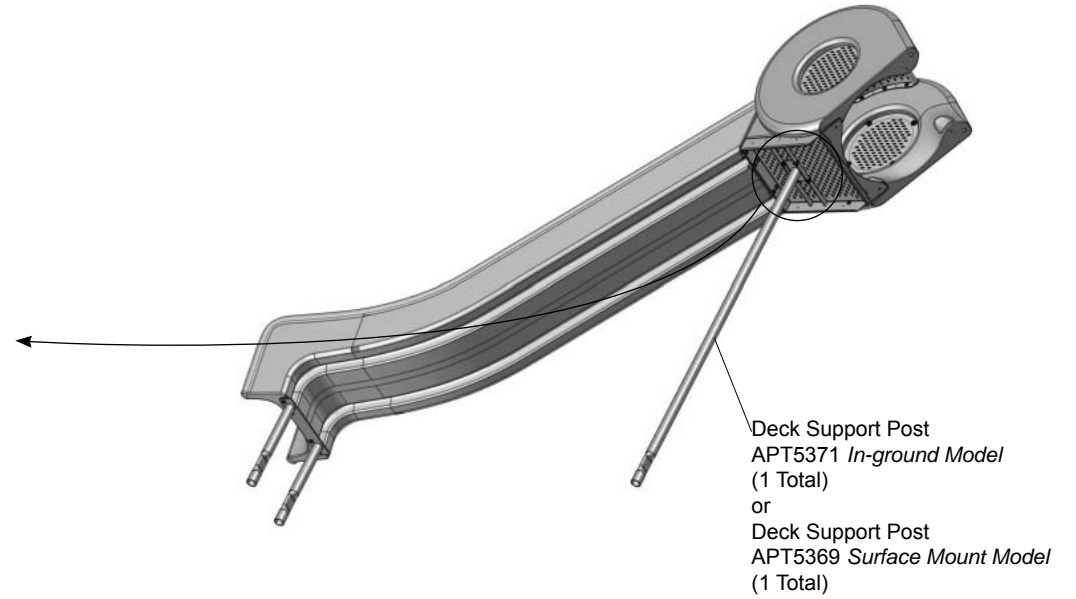
Installation Instructions



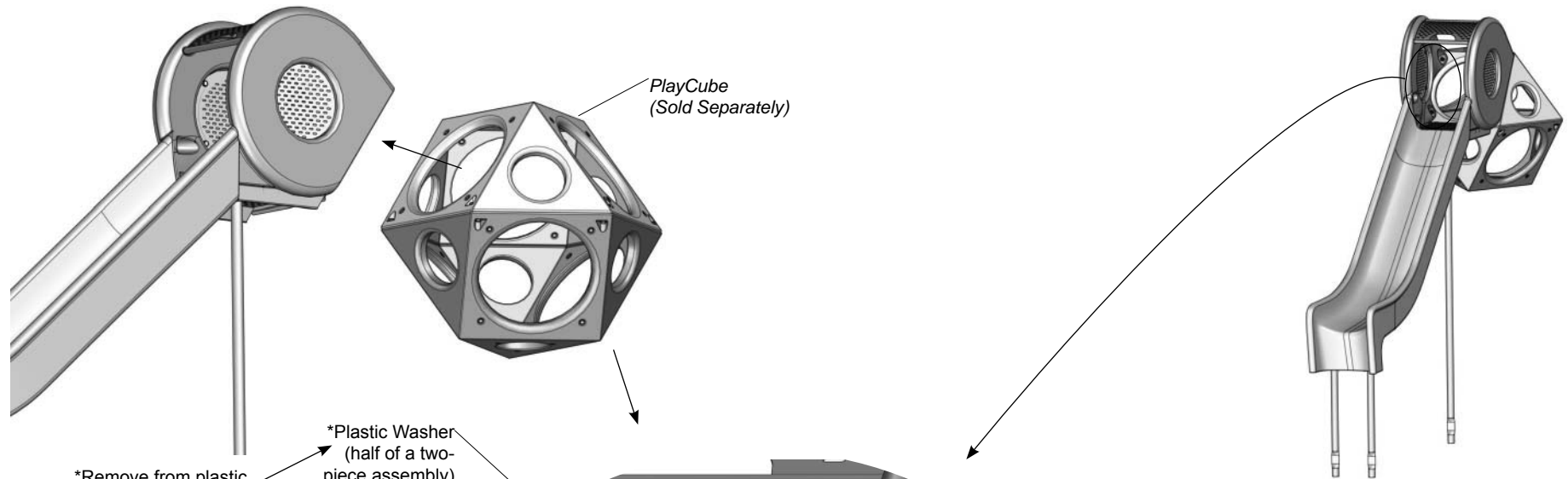
Detail G
Step 10



Attach the deck support post to the platform.



Installation Instructions



PlayCube
(Sold Separately)

*Remove from plastic washer and retain.
Do **NOT** install until after structure is completed

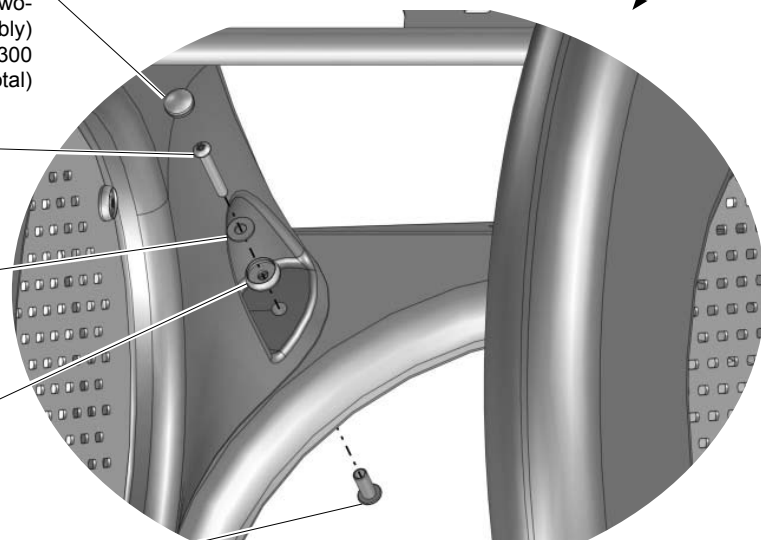
*Plastic Washer
(half of a two-piece assembly)
BPL0300
(4 Total)


3/8" x 2-3/4"
Button Head Bolt
BAE06677
(4 Total)

3/8" Flat Washer
BAE0595
(4 Total)
Supplied with the PlayCube

Plastic Bolt Cap
(half of a two-piece assembly)
BPL0300
(4 Total)

3/8" Barrel Nut
BAE0632
(4 Total)
Supplied with the PlayCube



Detail H 
Step 11

Attach a PlayCube to the slide barriers.



Installation Instructions

Notes Before You Begin: Do not over tighten bolts during assembly, only snug tighten them until assembly is complete. Do not install bolt caps until the structure is completely assembled and properly footed.

Carefully read and understand these installation instructions before you begin.

Step 1: Before attempting to assemble your equipment, please review all installation information carefully. Should you experience any difficulty during the installation process, please call us at the phone number shown on the last page of these instructions.

Step 2: Separate and identify all components and hardware.

Step 3: Excavate, or prepare, the footings as shown in the **Component Post / Surface Mount Footing Details** shown on **pages 4 & 5** of this document.

Step 4: Attach the exit support post/bracket to the slide. See **Detail A**. Place the exit support post, or bracket against the end of the slide, apply a drop of thread locking adhesive to the bolt threads, and attach as shown.

Step 5: Attach the platform to the slide. See **Detail B**. Position the side of the platform with eight (8) slots against the top of the slide, apply a drop of thread locking adhesive to the bolt threads, and attach as shown.

Step 6: Attach the perf panels to the slide barriers. See **Detail C**. Position each perf panel to the inside of a slide barrier and attach as shown. Fully tighten the connections according to tightening torque specifications.

Torque Specifications:

Bolts and nuts - Snug tighten and then tighten an additional one half turn.

Step 7: Attach the slide barriers to the slide. See **Detail D**. Place each slide barrier on it's appropriate side of the platform and against the top of the slide. Apply a drop of thread locking adhesive to the bolt threads and attach as shown to the top of the slide.

Step 8: Attach the slide barriers to the platform. See **Detail E**. Attach the barriers to the platform as shown.

Step 9: Attach the slide canopy to the slide barriers. See **Detail F**. Position the canopy, with the cutout to the top of slide, between the barriers, apply a drop of thread locking adhesive to the bolt threads, and attach as shown.

Step 10: Attach the deck support post to the platform. See **Detail G**. Place the top of the post between the brackets on the underside of the platform, align the holes, and attach as shown. With adequate help, lift the slide up and place in, or on, it's footings.

Step 11: Attach a PlayCube (*sold separately*) to the slide barriers. See **Detail H**. Position the side of the PlayCube with a large opening against the slide barriers and attach as shown.

Final Details.

Step 12: Finish adding any additional PlayCubes to the structure. Plumb and level the component. Tighten **all** fasteners. Fully tighten all fasteners according to tightening torque specifications.

Torque Specifications:

Bolts and nuts - Snug tighten and then tighten an additional one half turn.

In-Ground Model: Block and brace for concrete. Pour concrete after all equipment has been assembled. Allow 72 hours for concrete to completely cure.

Surface Mount Model: Bolt down all surface mount supports in accordance with specifications provided by your registered structural engineer.

Important Note: Surface mount hardware is not supplied. Customer is responsible for concrete base and for providing surface mount hardware as specified by a registered structural engineer for each specific project application.

Step 13: Insert the bolt caps into the plastic washers. See **Details D, E and H**. Select the plastic caps and press over the plastic flanged washers.

Note: The plastic caps install easier when they are warm.

Step 14: For areas complying with ASTM standard F1487 or the CSA Z-614, apply the age appropriate label to the component at eye level.



UN8730 - PLAYCUBES SLIDE & BARRIER

PART NO.	DESCRIPTION	QTY.
AFM7406	SHEET -19.50" DIA x 12 GA COATED PERF	2
AFR1798	CANOPY - PERF STEEL COATED - PLAYCUBES	1
AFR1818	POST - 3.50" x 19.37" x 24.00" EXIT SUPPORT	1
APT5371	POST - 3.88" x 7.00" x 98.08" DECK SUPPORT	1
BAD0085	THREAD LOCKING ADHESIVE	1
BAE0595	WASHER - 3/8" SAE FLAT	12
BAE0600	WASHER - 1" O.D. FLAT	30
BAE0620	NUT - 3/8"-16 LOCK w/NYLON CAP	4
BAE0659	BOLT - 3/8"-16 x .75" BUTTON HEAD - SS	14
BAE0664	BOLT - 3/8"-16 x 1.00" BUTTON HEAD - SS	12
BAE0666	BOLT - 3/8"-16 x 1.25" BUTTON HEAD - SS	8
BAE0922	TOOL - TT 45 L WRENCH	2
BAE06673	BOLT - 3/8"-16 x 2.00" BUTTON HEAD - SS	4
BAE06677	BOLT - 3/8"-16 x 2.75" BUTTON HEAD - SS	4
BPL0300	CAP - 3/8" BOLT	16
BPL3189	PLAYCUBES SLIDE BARRIER - LEFT	1
BPL3190	PLAYCUBES SLIDE BARRIER - RIGHT	1
BPL3191	PLAYCUBES - SLIDE	1
BPM9953	PLATFORM - PLAYCUBES COATED PERF	1
ALB0025	LABEL - AGE APPROPRIATE SHEET	1

UN8730S - PLAYCUBES SLIDE & BARRIER SUEFACE MOUNT

PART NO.	DESCRIPTION	QTY.
AFM7406	SHEET -19.50" DIA x 12 GA COATED PERF	2
AFM7460	FAB METAL - 2.00" x 3.00" x 32.50" w/ HOLES	1
AFR1798	CANOPY - PERF STEEL COATED - PLAYCUBES	1
APT5369	POST - 76.01" x 10.00" x 10.00"	1
BAD0085	THREAD LOCKING ADHESIVE	1
BAE0595	WASHER - 3/8" SAE FLAT	12
BAE0600	WASHER - 1" O.D. FLAT	30
BAE0620	NUT - 3/8"-16 LOCK w/NYLON CAP	4
BAE0659	BOLT - 3/8"-16 x .75" BUTTON HEAD - SS	14
BAE0664	BOLT - 3/8"-16 x 1.00" BUTTON HEAD - SS	12
BAE0666	BOLT - 3/8"-16 x 1.25" BUTTON HEAD - SS	8
BAE0922	TOOL - TT 45 L WRENCH	2
BAE06673	BOLT - 3/8"-16 x 2.00" BUTTON HEAD - SS	4
BAE06677	BOLT - 3/8"-16 x 2.75" BUTTON HEAD - SS	4
BPL0300	CAP - 3/8" BOLT	16
BPL3189	PLAYCUBES SLIDE BARRIER - LEFT	1
BPL3190	PLAYCUBES SLIDE BARRIER - RIGHT	1
BPL3191	PLAYCUBES - SLIDE	1
BPM9953	PLATFORM - PLAYCUBES COATED PERF	1
ALB0025	LABEL - AGE APPROPRIATE SHEET	1



This page is
intentionally left blank.



Fasteners

- Inspect for loose fasteners. Tightening torque specifications are:
Bolts and Nuts: Snug tighten and tighten an additional one-half turn.
- If during the maintenance process a bolt needs to be removed from a part or parts, it will be necessary to apply a drop of liquid thread lock / loctite to the bolt before reinstallation.
- Inspect for missing, worn or broken fasteners. If any missing, worn or broken fasteners are found, refer to the installation instructions for proper replacement fastener. If any damage is detected, barricade equipment to prevent use until repair is completed. Contact your sales representative immediately for a replacement part.

Slide

- Inspect entire sliding surface for obstructions, sharp points, cracks or jagged edges. If any damage to sliding surface is detected and is determined to be unsafe, barricade component to prevent use until repair is completed. Minor burrs or sharp edges may be removed by using a sharp utility knife or block plane to remove sharp burr.
- Inspect the exit region of slide for standing water. If standing water is detected, lower the exit region to provide a downward slope.
Note: This will require the footing of the end support leg to be adjusted deeper.

Plastic Parts

- Inspect all plastic surfaces for sharp points, cracks or jagged edges. If any damage is detected and is determined to be unsafe, barricade equipment to prevent use until repair is completed. Minor burrs or sharp edges may be removed by using a sharp utility knife or block plane to remove sharp burr.

Welds

- Inspect all welded joints. If any broken welds are detected, barricade equipment to prevent use until repair is completed. Contact your sales representative immediately for a replacement part.

Finish

- Inspect metal parts for finish damage.
To repair painted surfaces, sand damaged area with sandpaper and wipe clean. Mask area and paint with primer and allow to dry. Paint primed area with color-matching paint and allow to dry. Recoat area with color-matching paint if required. Drying time is approximately 8 hours between coats.
To repair the EcoArmor® coating, contact the Playworld Systems' Customer Service Department for a coating repair touch-up kit.

Footings

- Inspect component to be solid in footing and secure. If any damage is detected, barricade equipment to prevent use until repair is completed.

Surfacing

- Refer to the specific surfacing maintenance detail sheet for additional information.

Replacement Parts

- Refer to your installation instructions to obtain replacement part number.
- Contact your sales representative or call Playworld Systems' Customer Service for a replacement part.

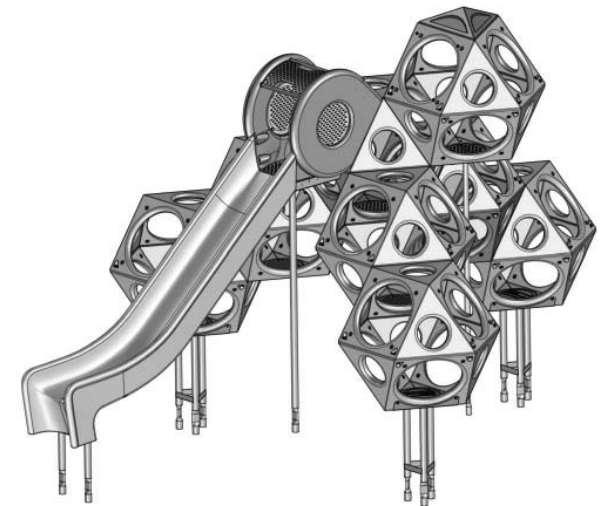
Equipment Maintenance

Universal

Models UN8730 and UN8730S

PlayCubes Slide & Barrier

In-Ground and Surface Mount



Inspection Form

Preventive Maintenance

... for Safety's Sake!

- Be sure that you are using a copy of this Inspection Form and not your original.
- Use the Inspection Codes listed below and record condition of equipment at time of examination on the Inspection Checklist.
- Document any item from the Inspection Checklist that will require maintenance along with any corrective action on the Maintenance Schedule.
- Be sure to include appropriate dates and signatures on each section to properly document maintenance procedure.

INSPECTION CHECKLIST

	Frequency	Inspection Code	Date	Date Repairs Completed
Inspect plastic parts for damage.	Medium			
Inspect sliding surface for obstructions and damage.	High			
Inspect metal parts for structural and finish damage.	Medium			
Inspect for loose, missing, worn, or broken fasteners.	High			
Inspect footing to insure support is secure and footing is not damaged.	Low			
Inspect surfacing to insure proper depth and distribution.	High			

Inspection Codes P = Pass F = Fail NA = Not Applicable
--

Inspector: Name (Please Print) _____ Signature: _____ Date: ___ / ___ / ___

MAINTENANCE SCHEDULE

Item in Question	Description of Problem	Corrective Action	Date

Repairer: Name (Please Print) _____ Signature: _____ Date: ___ / ___ / ___

