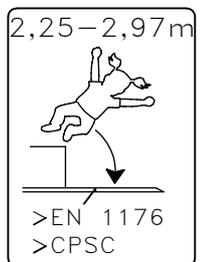
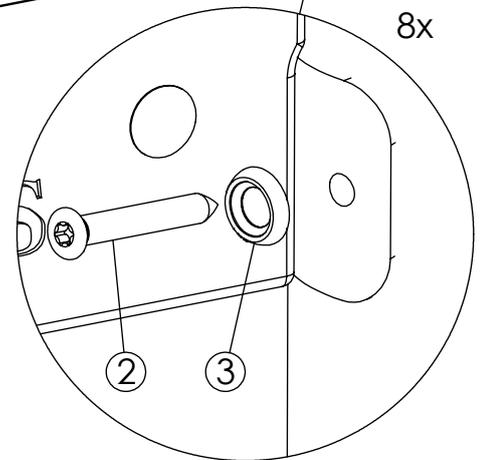
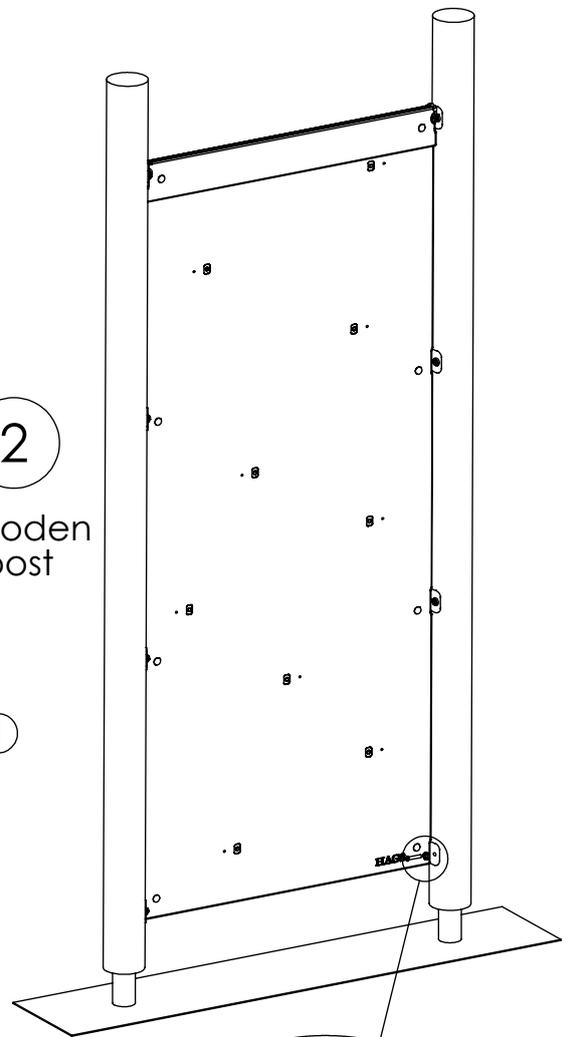
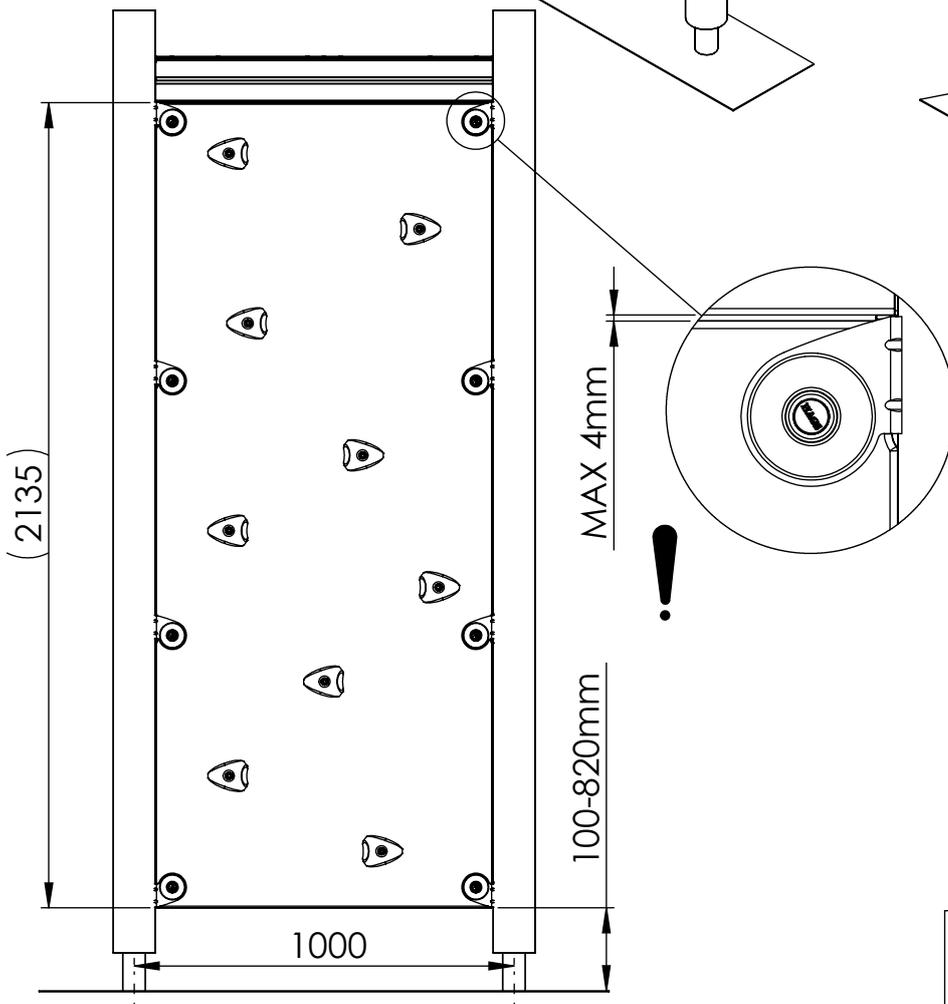


1  
Wooden post

2  
Wooden post

With deck

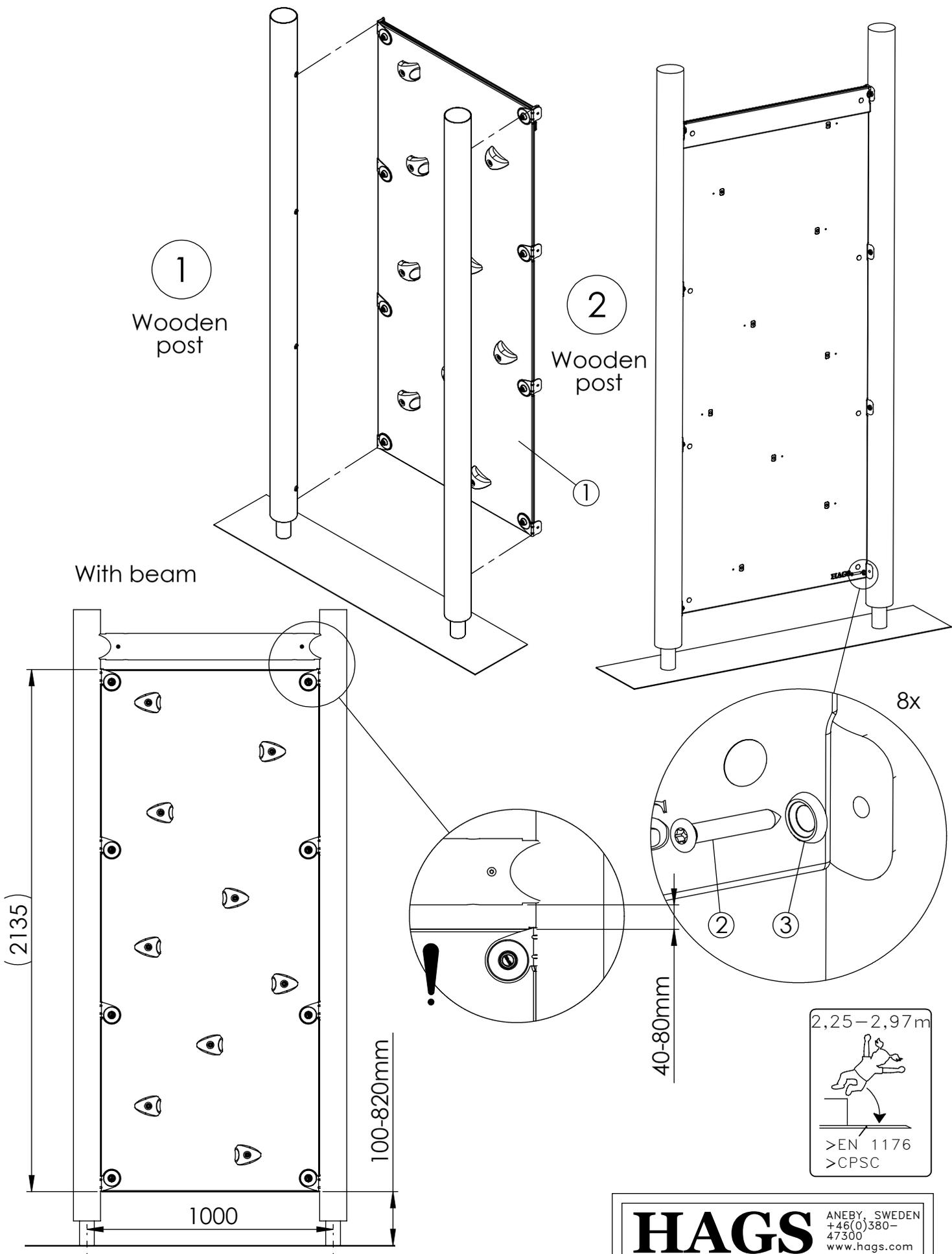


**HAGS**

ANEBY, SWEDEN  
+46(0)380-47300  
www.hags.com

**Climbing wall  
MASW42099  
1 ( 4 )**

NR.	Description MA	Item Number	QTY.
1	1000 x2150mm	8052349	1
2	Screw, wood, TKFT-8x60-8.8	8008646	8
3	Washer 9x18x2.	8035288	8



NR.	Description MA	Item Number	QTY.
1	1000 x2150mm	8052349	1
2	Screw, wood, TKFT-8x60-8.8	8008646	8
3	Washer 9x18x2.	8035288	8

**HAGS** ANEBY, SWEDEN  
+46(0)380-47300  
www.hags.com

**Climbing wall  
MASW42099  
2 ( 4 )**

SS JW 2021-12-14 7

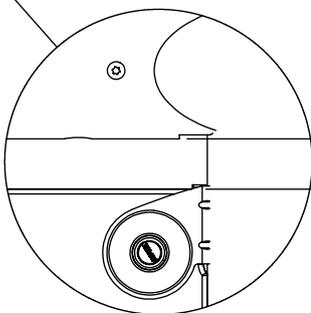
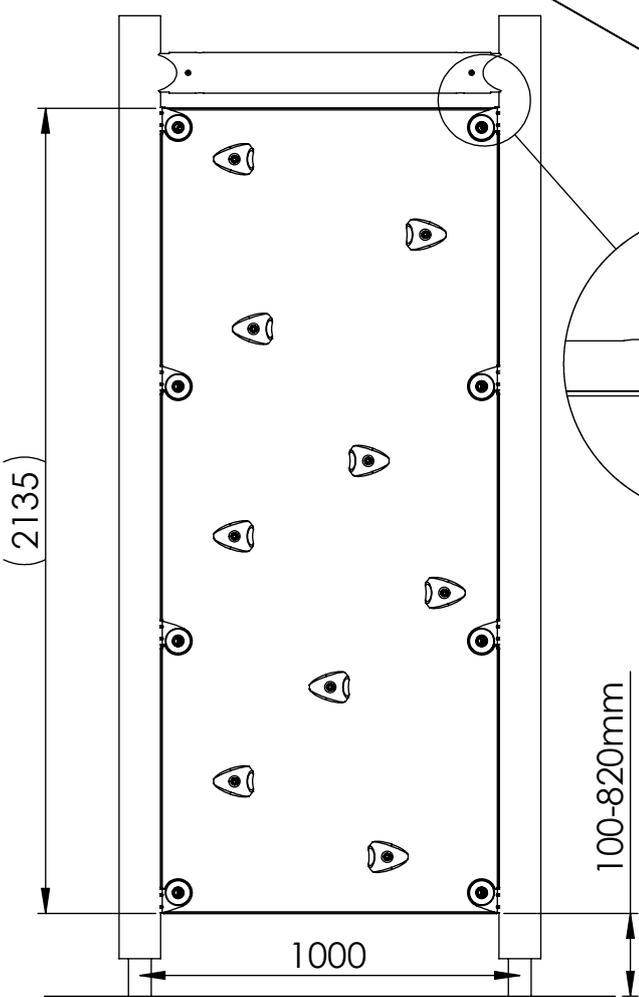
1

Steel post

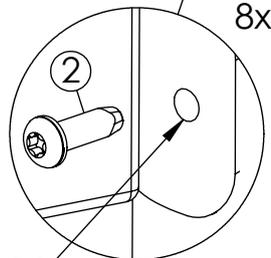
2

Steel post

With beam



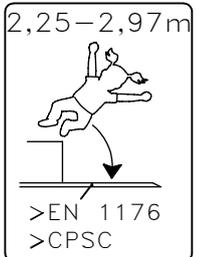
40-80mm



8x



MAX 400 rpm



**HAGS** ANEBY, SWEDEN  
+46(0)380-47300  
www.hags.com

**Climbing wall**  
**MASW42099**  
**3 ( 4 )**

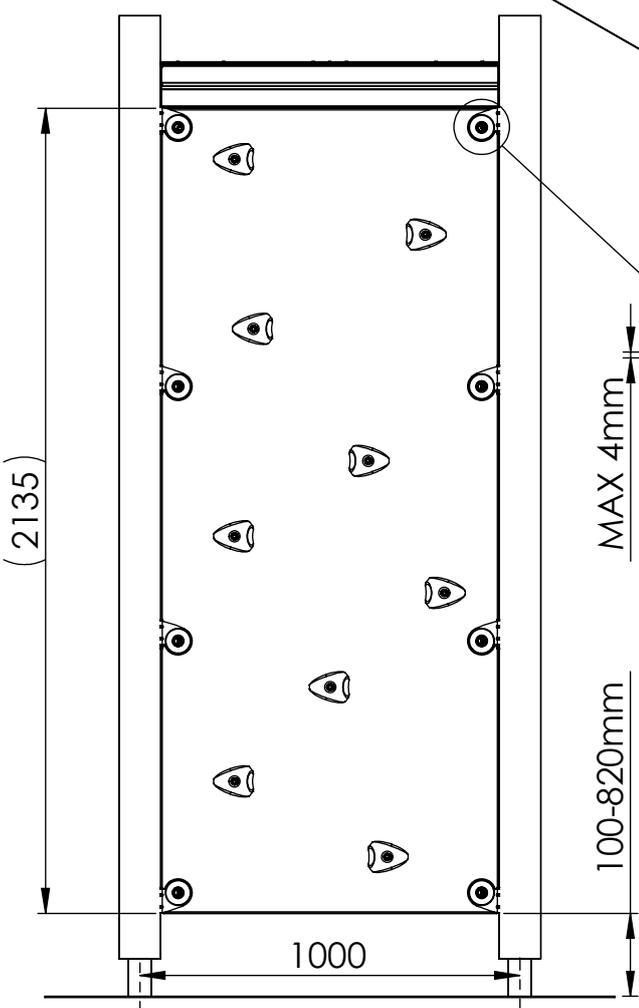
SS JW 2021-12-14 7

NR.	Description MA	Item Number	QTY.
1	1000 x2150mm	8052349	1
2	Screw, thr-forming M8x25-8.8-(ISO7380)	8008506	8

1  
Steel post

2  
Steel post

With deck

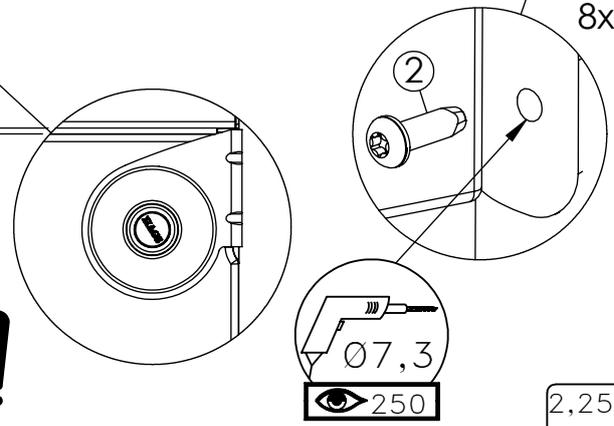


MAX 4mm

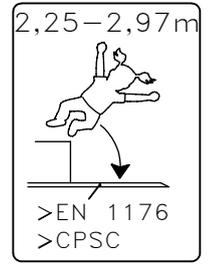
100-820mm

1000

(2135)



MAX 400 rpm



**HAGS** ANEBY, SWEDEN  
+46(0)380-47300  
www.hags.com

**Climbing wall**  
**MASW42099**  
**4 ( 4 )**

SS JW 2021-12-14 7

NR.	Description MA	Item Number	QTY.
1	1000 x2150mm	8052349	1
2	Screw, thr-forming M8x25-8.8-(ISO7380)	8008506	8