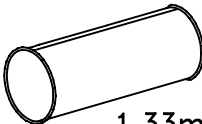
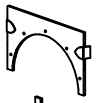
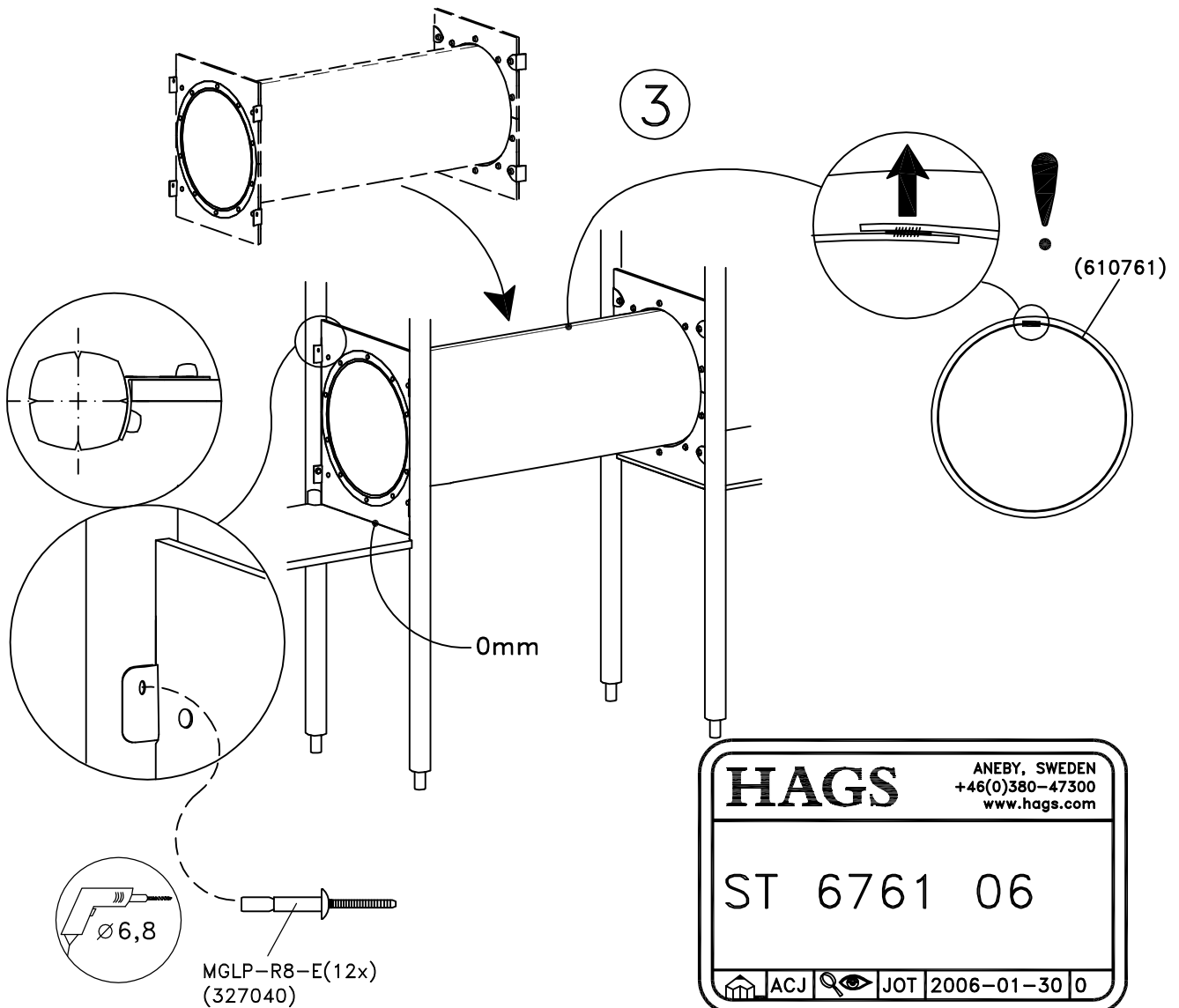
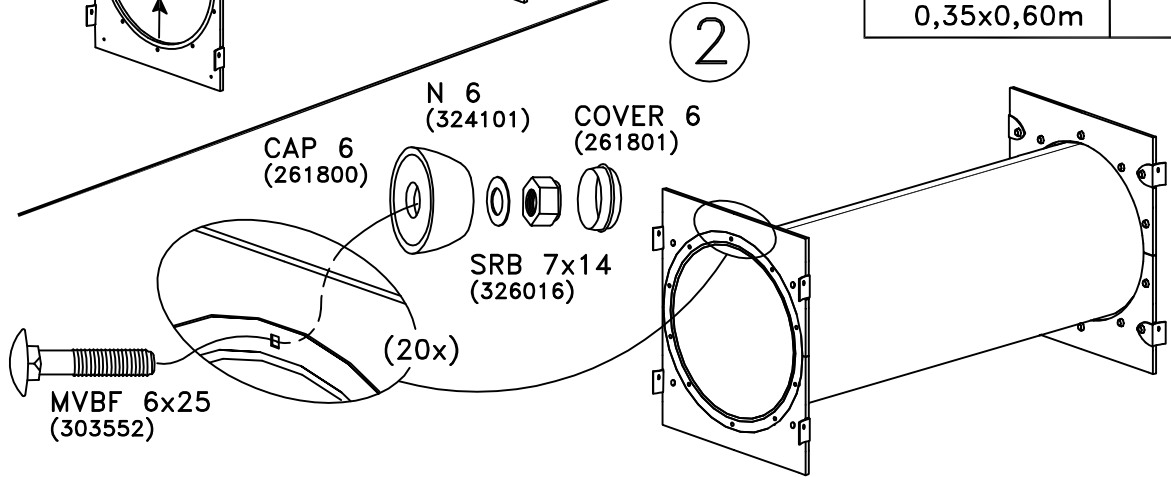






TYPE	HAGS.NO
 1,33m ø0,51m	610761
 (4x) 0,35x0,60m	61823106 618231-03



HAGS ANEBY, SWEDEN
+46(0)380-47300
www.hags.com

ST 6761 06





 2006-01-30 0