

NR.	Description MA	Item Number	QTY.
1	1000 x1750mm	8049362	1
2	TKFT 8x60 mm	8008646	8
3	Washer 9x18x2	8035288	8

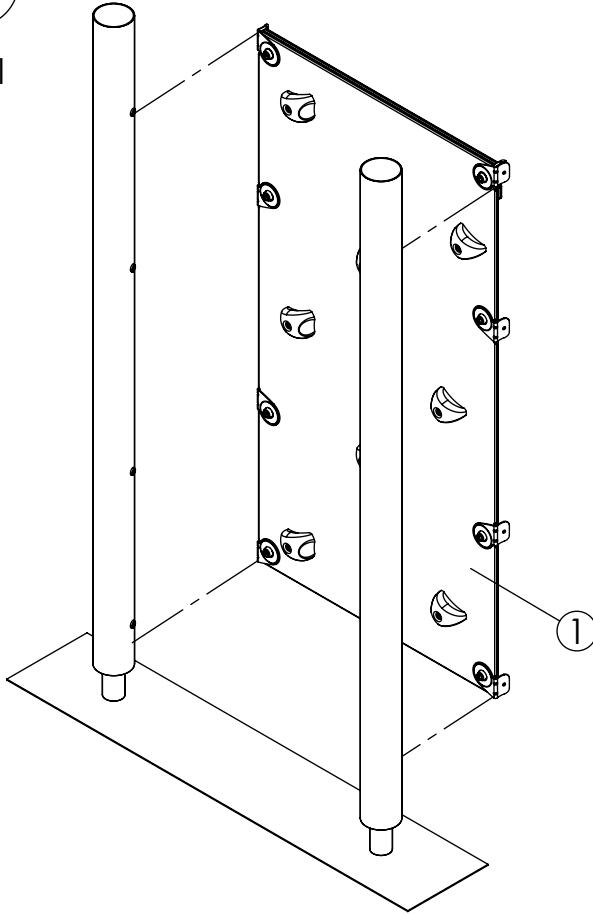
HAGS ANEBY, SWEDEN
+46(0)380-47300
www.hags.com

**Climbing wall
MASW37501
1 (4)**

SS PK 2021-05-10 7

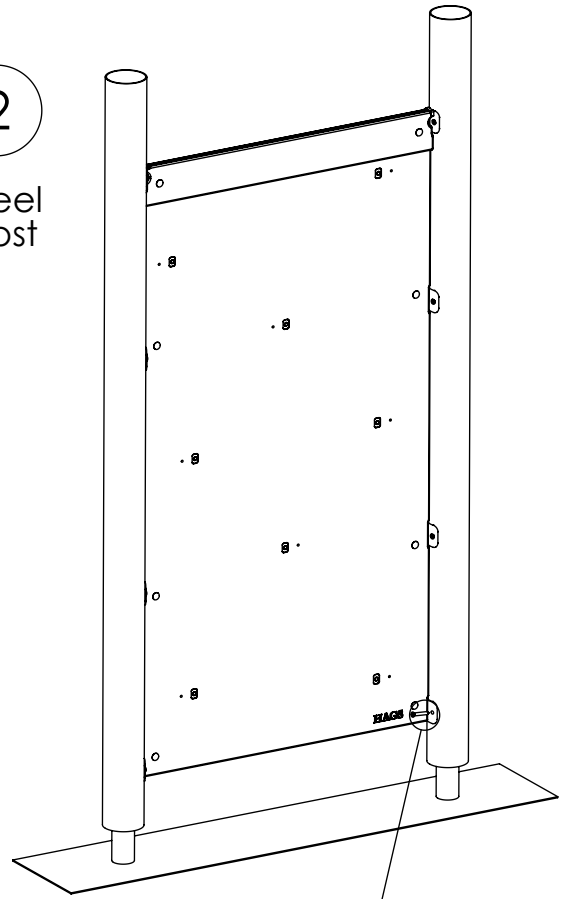
1

Steel post

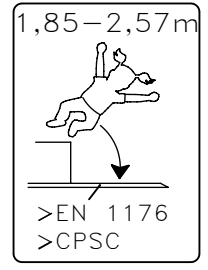
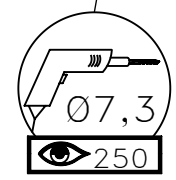
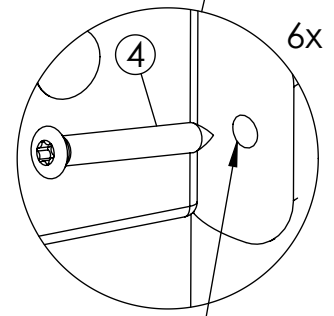
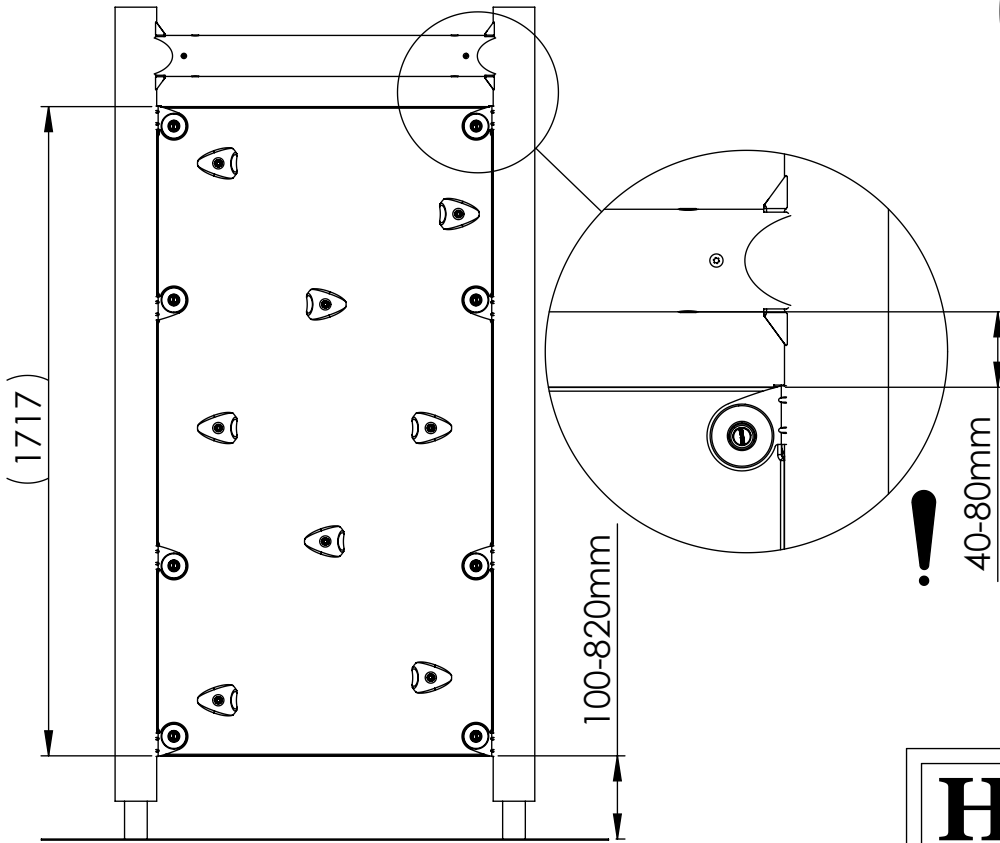


2

Steel post



With beam



HAGS ANEBY, SWEDEN
+46(0)380-47300
www.hags.com

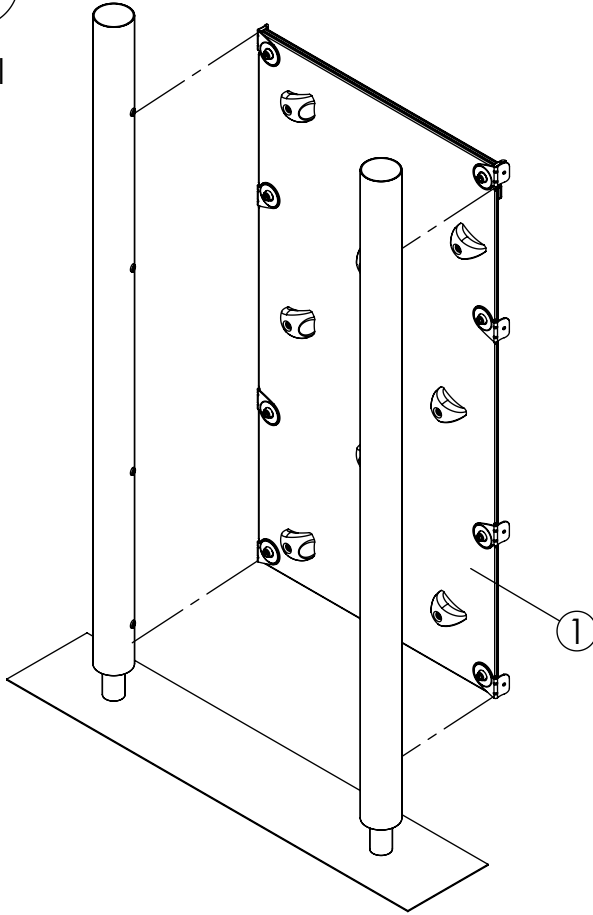
Climbing wall
MASW37501
2 (4)

	SS		PK	2021-05-10	7
--	----	--	----	------------	---

NR.	Description MA	Item Number	QTY.
1	1000 x1750mm	8049362	1
4	Screw, thr-forming M8x25-8.8-(ISO7380)	8008506	8

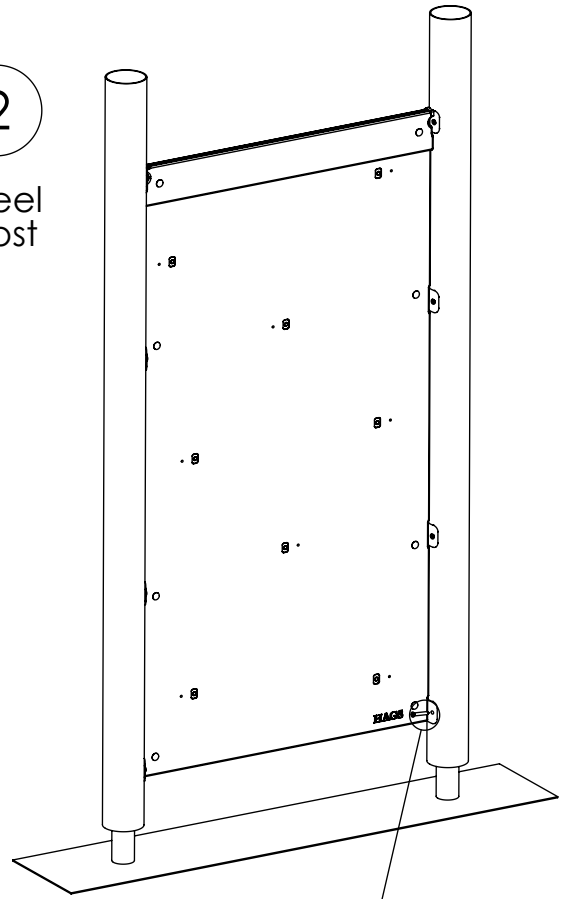
1

Steel post

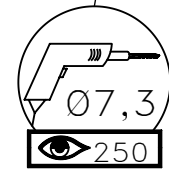
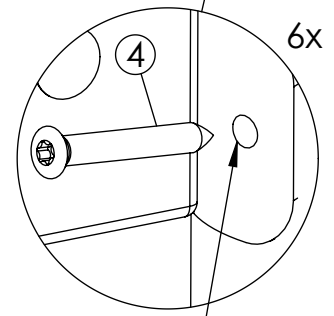
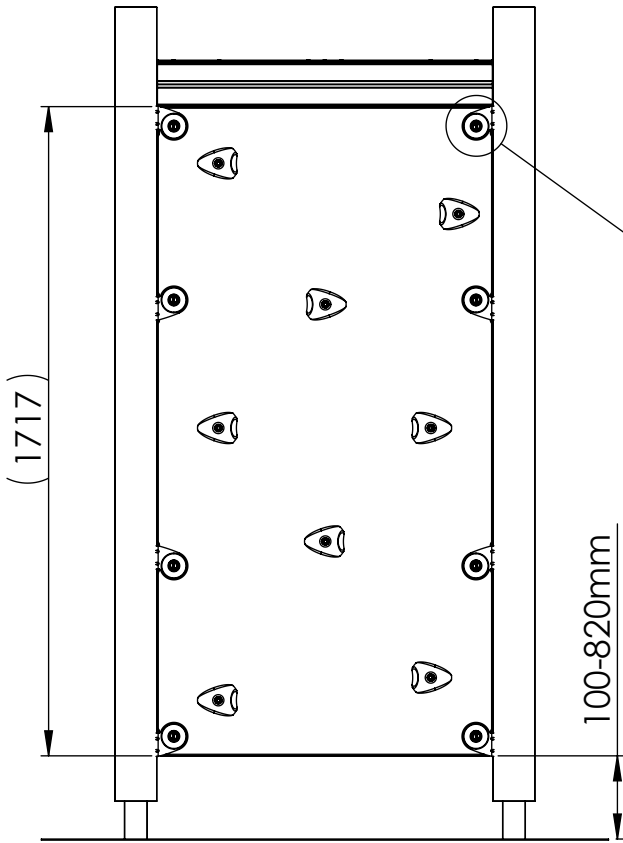


2

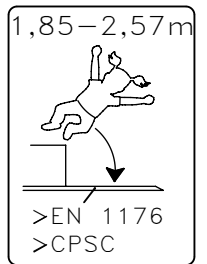
Steel post



With deck



MAX 400 rpm

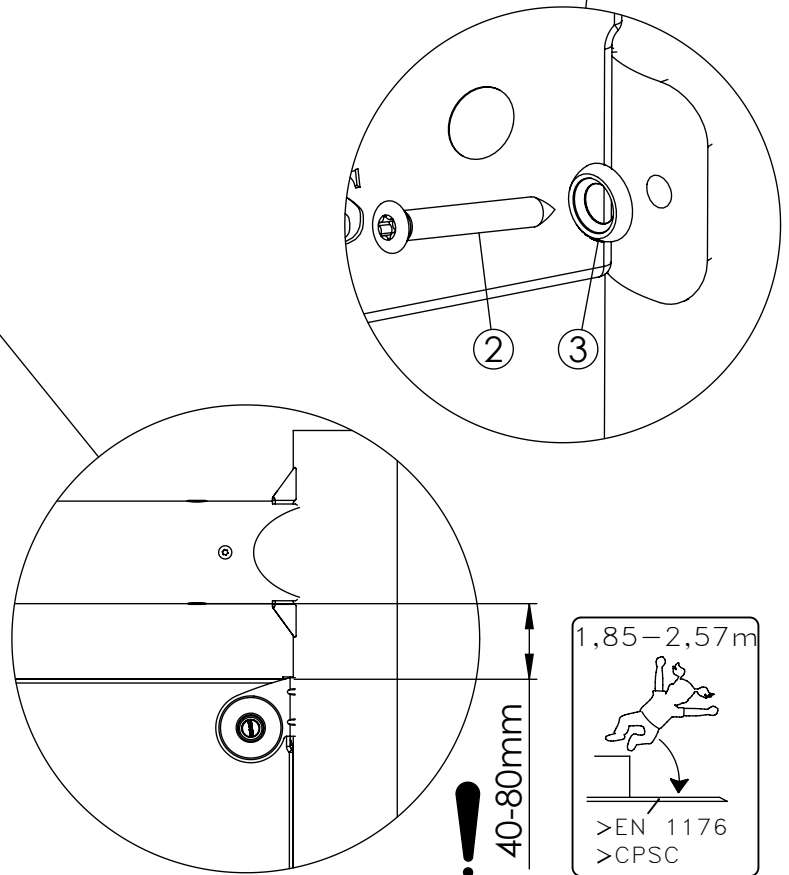
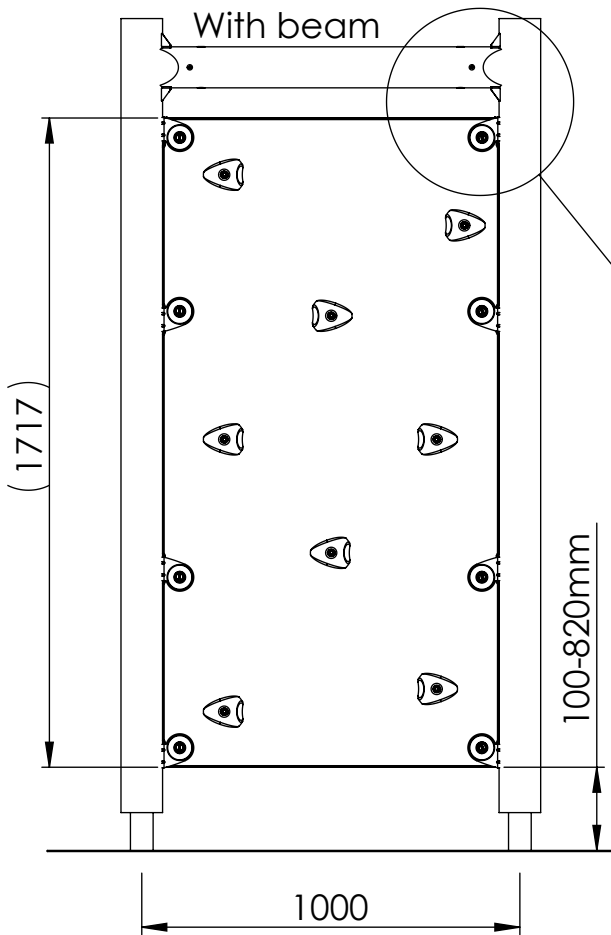
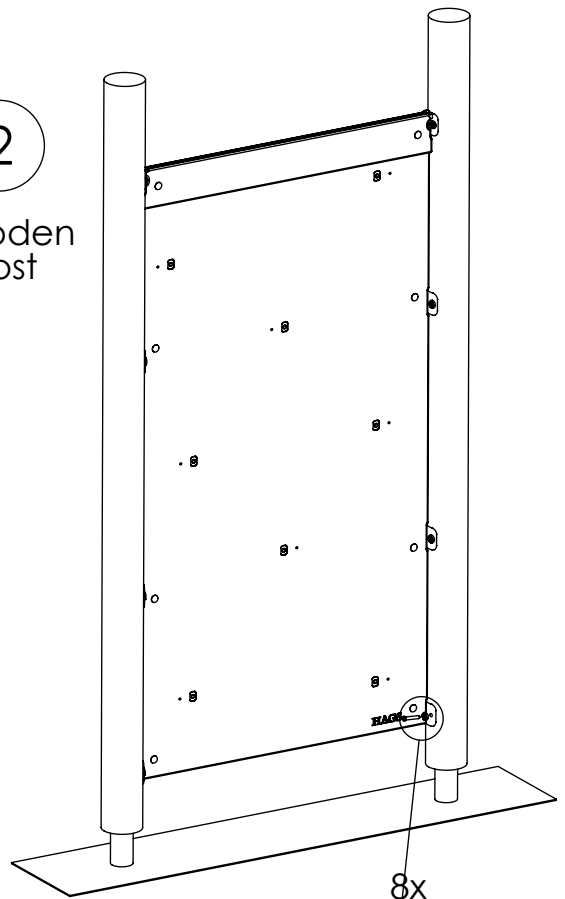
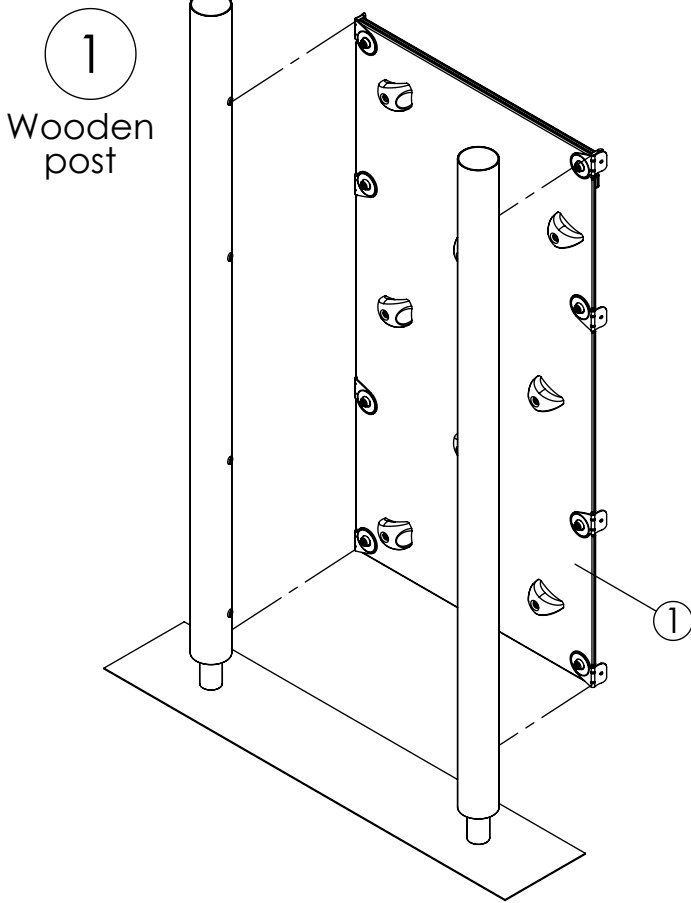


HAGS ANEBY, SWEDEN
+46(0)380-47300
www.hags.com

Climbing wall
MASW37501
3 (4)

	SS		PK	2021-05-10	7
--	----	--	----	------------	---

NR.	Description MA	Item Number	QTY.
1	1000 x1750mm	8049362	1
4	Screw, thr-forming M8x25-8.8-(ISO7380)	8008506	8



NR.	Description MA	Item Number	QTY.
1	1000 x1750mm	8049362	1
2	TKFT 8x60 mm	8008646	8
3	Washer 9x18x2	8035288	8

HAGS ANEBY, SWEDEN
+46(0)380-47300
www.hags.com

**Climbing wall
MASW37501
4 (4)**

SS PK 2021-05-10 7