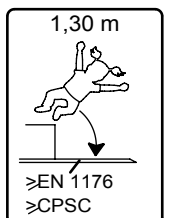


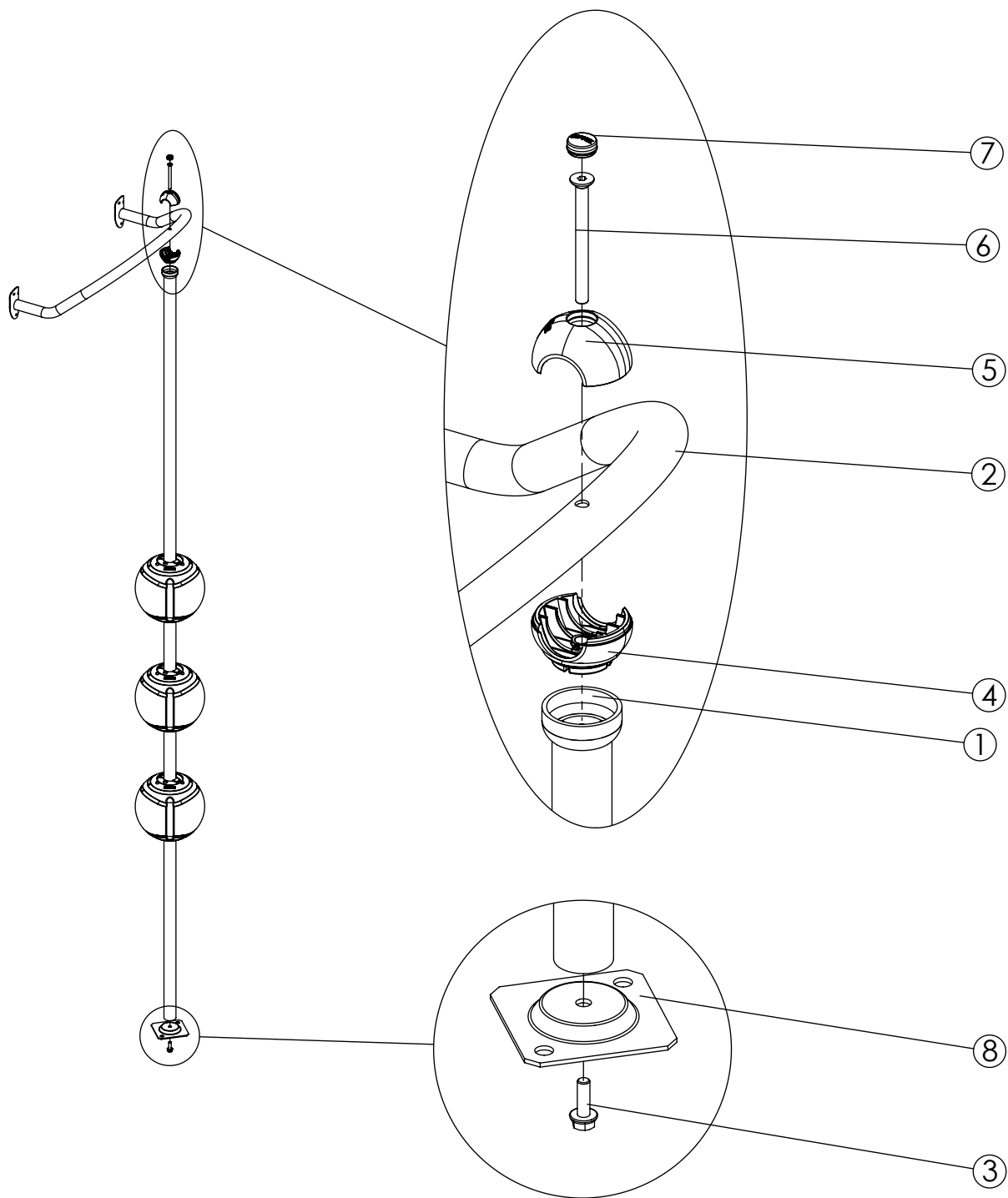
Description MA	Item Number	Qty
Ø38x2740 mm	61077151	1
Screw, DIN6921-M8x25-8.8	8008461	1
Ø60x30 mm	8005728 (260768)	1
Ø60x30 mm	8005729 (260769)	1
Ø32, 720x550 mm	61077020	1
Screw, ISO10642-M8x90-8.8-FT	8008519	1
Cover 8, Ø18x10mm	8005958	2
100x100 mm	712220	1
620x121x21 mm	610071-02	1
Washer, Bolt cap 11x24x2-ISO4759-3-C	8008850	2
Screw, ISO4017-M10x25-8.8	8008371	2
Nut, cage M10-t=1.8-3.2	8008815	2
Handle	8025898	2
Ø6 16/7 x 3 mm	8035290	6
Screw, wood, TKFT-6x40-8.8	8008651	6



HAGS ANEBY, SWEDEN
+46(0)380-47300
www.hags.com

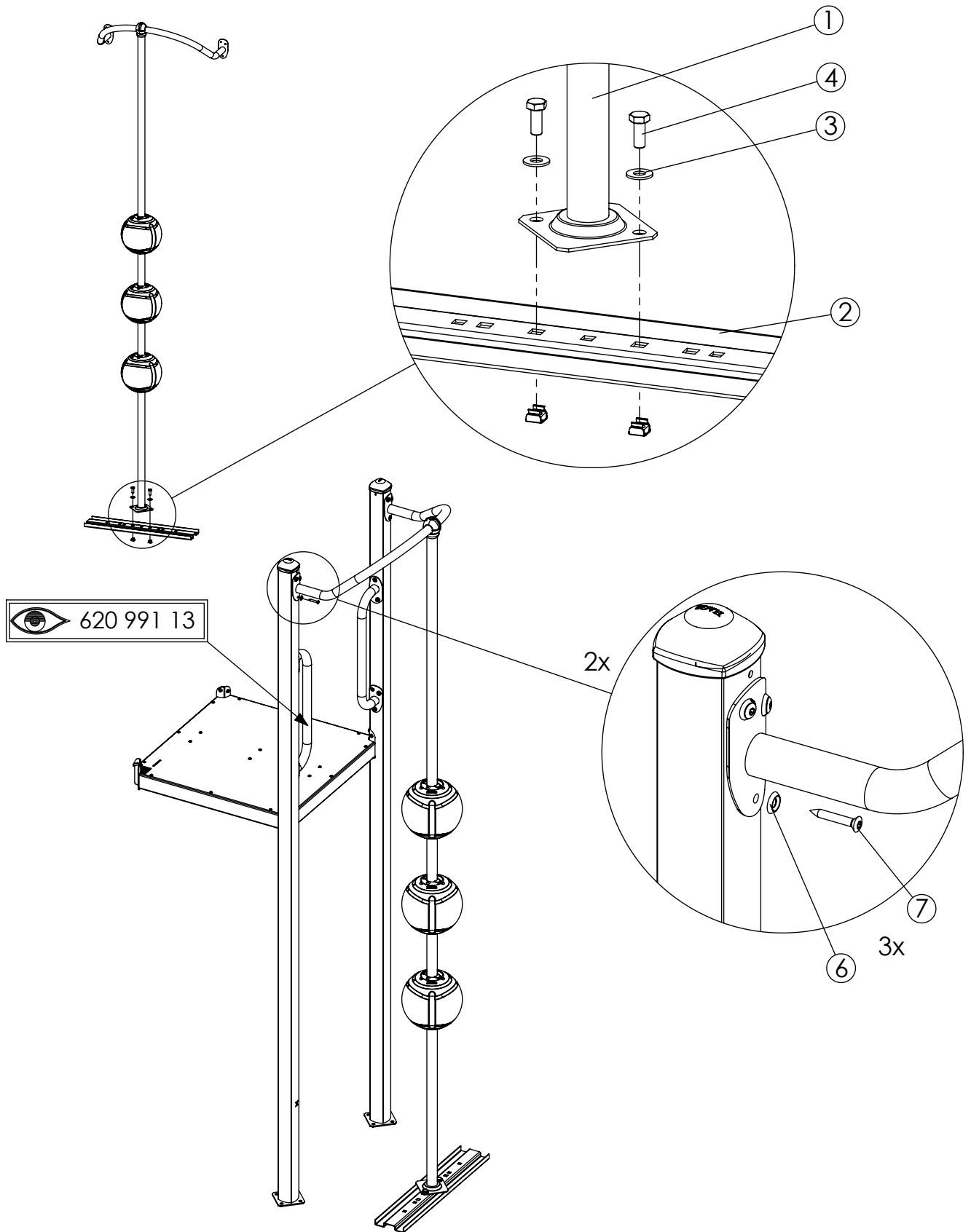
Ball Post, S, Wooden Post
620 771 52
1 (3)

TJ ToB 2017-06-01 1



NR.	Description MA	Item Number	Qty
1	Ø38x2740 mm	61077151	1
2	Ø32, 720x550 mm	61077020	1
3	Screw, DIN6921-M8x25-8.8	8008461	1
4	Ø60x30 mm	8005729 (260769)	1
5	Ø60x30 mm	8005728 (260768)	1
6	Screw, ISO10642-M8x90-8.8-FT	8008519	1
7	Cover 8, Ø18x10mm	8005958	1
8	100x100 mm	712220	1

<h1>HAGS</h1> <p>Ball Post, S, Wooden Post 620 771 52 2 (3)</p>	ANEBY, SWEDEN +46(0)380- 47300 www.hags.com
	ToB 2017-06-01 1
	TJ



NR.	Description MA	Item Number	Qty
1	Ø38x2740 mm	61077151	1
2	620x121x21 mm	610071-02	1
3	Washer, Bolt cap 11x24x2-ISO4759-3-C	8008850	2
4	Screw, ISO4017-M10x25-8.8	8008371	2
5	Nut, cage M10-t=1.8-3.2	8008815	2
6	Ø6 16/7 x 3 mm	8035290	6
7	Screw, wood, TKFT-6x40-8.8	8008651	6

HAGS ANEBY, SWEDEN
+46(0)380-47300
www.hags.com

Ball Post, S, Wooden Post
620 771 52
3 (3)

TJ ToB 2017-06-01 1