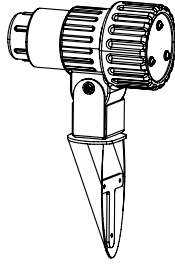
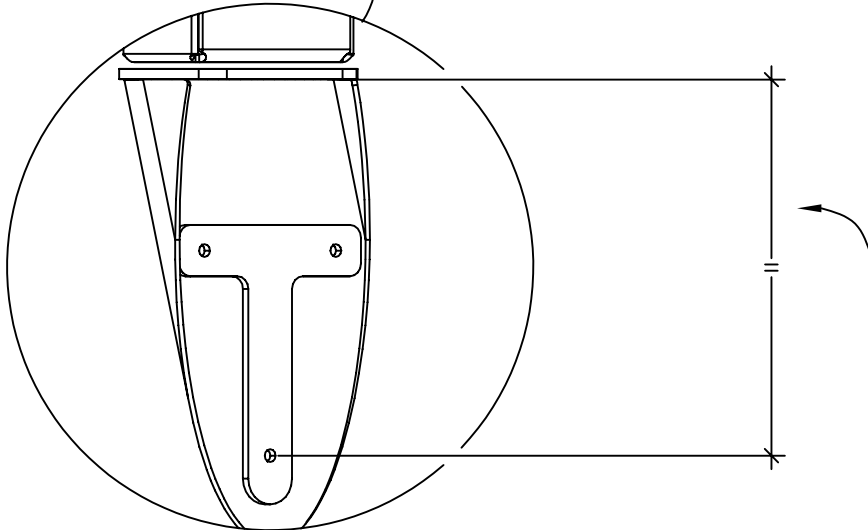
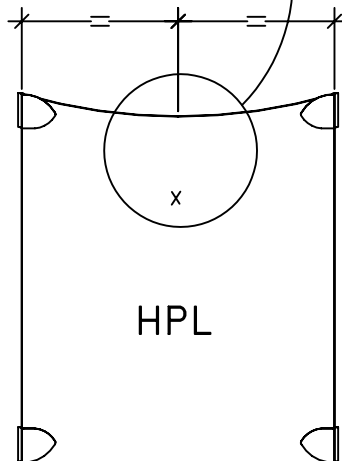
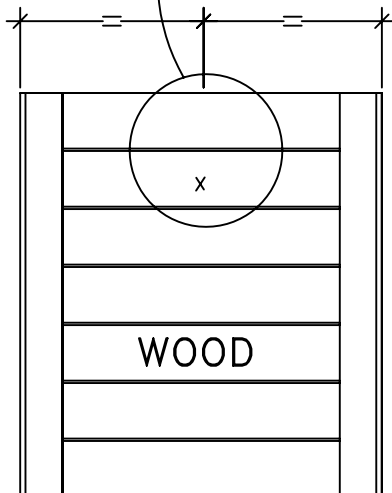
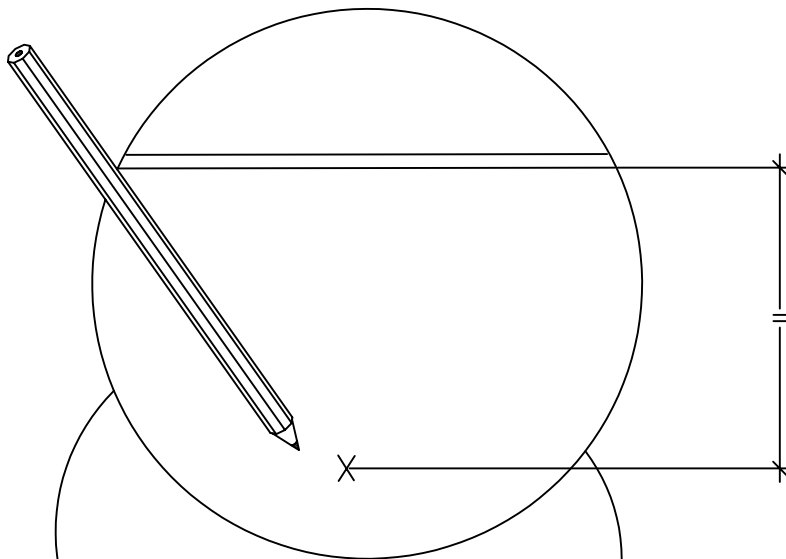




TYPE	ART.NO
 0,24x0,40 m	61093813-01

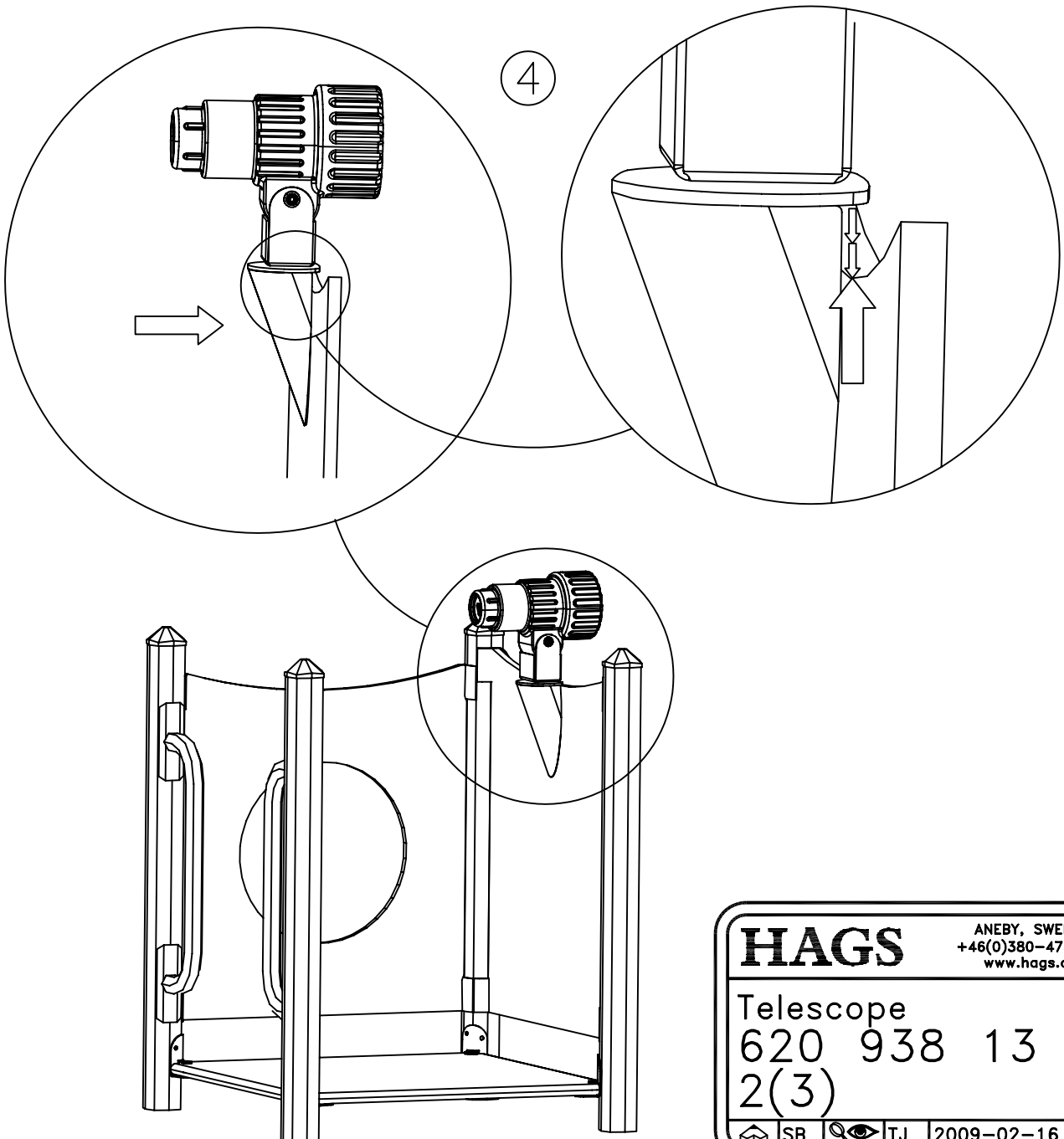
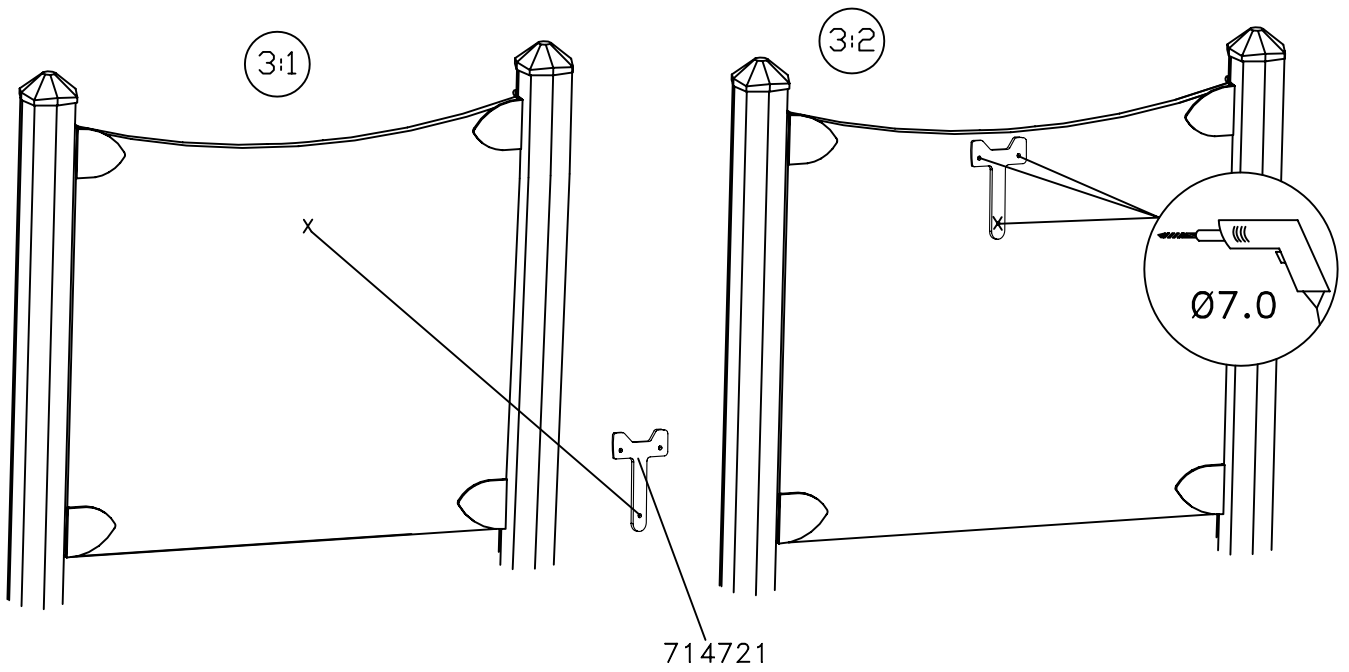
1



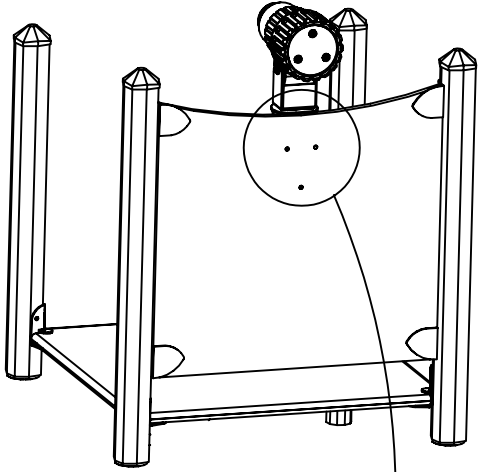
2



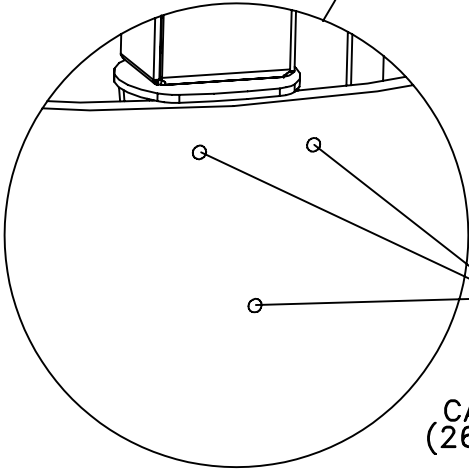
HAGS		ANEBY, SWEDEN	
		+46(0)380-47300	
		www.hags.com	
Telescope			
620 938 13			
1(3)			
	SB		TJ
		2009-02-16 0	



HAGS		ANEBY, SWEDEN	
		+46(0)380-47300	
		www.hags.com	
Telescope			
620 938 13			
2(3)			
	SB		TJ
		2009-02-16 0	



5

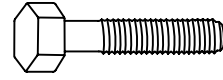


SRB 7x14
(326016)

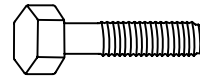
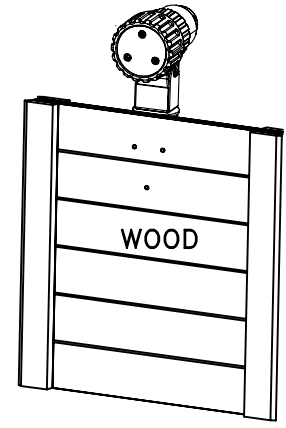
COVER 6
(261801)

CAP 6
(261800)

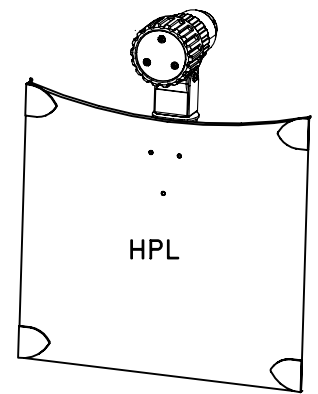
M6S 6x25/6x35
(302109/302111)



M6S 6x35(3x)
(302111)



M6S 6x25(3x)
(302109)



HAGS		ANEBY, SWEDEN	
		+46(0)380-47300	
		www.hags.com	
Telescope			
620 938 13			
3(3)			
	SB		TJ
		2009-02-16	