

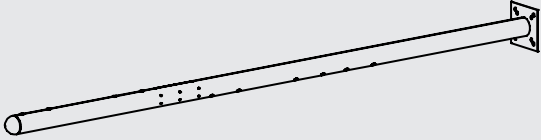
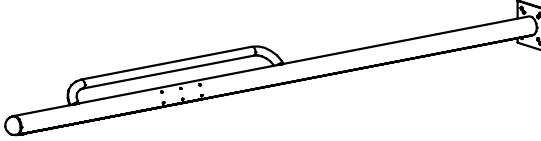
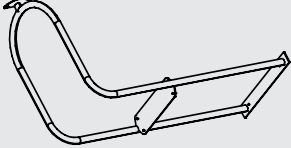

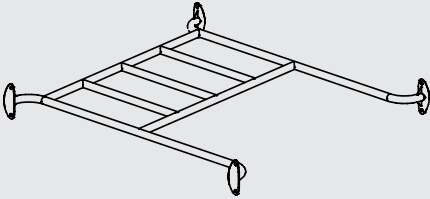
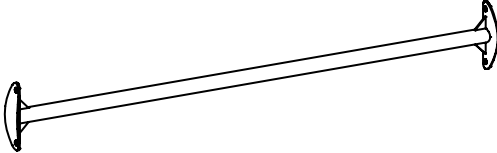

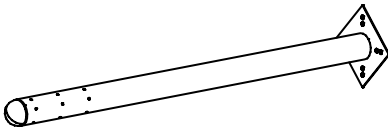
HAGS[®]

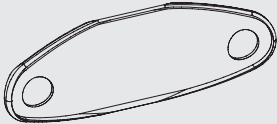

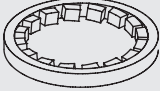
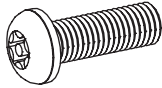

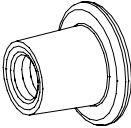

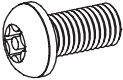
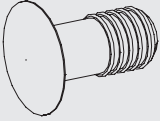
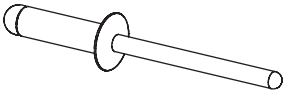
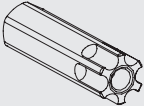
Installation Instructions

Multi-Purpose Fitness Frame FS039

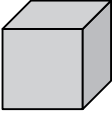


© Playpower Inc
E-post:hags@hags.com
www.hags.com

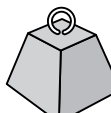
ITEM	REF	PART	Qty	Kg
1	GYM3001		3	33
2	GYM3002		1	38
3	GYM3004		1	25
4	GYM3010		1	1.35
5	GYM3005		1	40
6	GYM3006		1	8.5
7	GYM3007		2	5.25
8	GYM3003		1	13.5

ITEM	REF	PART	Qty	Kg
9	19023802		11	0.05
10	38001019	 M10 - 12 x 32 x 6.5	22	0.002
11	10301000	 M10 - 12 x 18 x 1	22	0.001
12	10121030	 M10 x 30	22	0.028
13	10301200	 M12 - 13 x 20 x 1	4	0.002
14	10931000		4	0.2
15	10291000	 M10 - 11 x 21 x 1	4	0.002
16	10121020	 M10 x 20	4	0.02
17	19024501		26	0.001
18	10360516	 Ø5.5	78	0.02
19	10121000	 T45 M10	1	0.05


ITEM	PART	ITEM	PART	ITEM	PART	ITEM	PART	ITEM	PART
20	<p>HAGS</p> <p>↑↓ = 12 x 3</p> <p>www.hags.com</p>	21	<p>HAGS</p> <p>↑↓ = 5 x 3</p> <p>www.hags.com</p>	22	<p>HAGS</p> <p>↑↓ = 6 x 3</p> <p>www.hags.com</p>	23	<p>HAGS</p> <p>↔ = 10 x 2</p> <p>www.hags.com</p>	24	<p>HAGS</p> <p>↑↓ = 4 x 2</p> <p>www.hags.com</p>
25	<p>HAGS</p> <p>↔ = 3 x 1</p> <p>www.hags.com</p>	26	<p>HAGS</p> <p>10 x 3</p> <p>www.hags.com</p>	27	<p>HAGS</p> <p>10 x 3</p> <p>www.hags.com</p>	28	<p>HAGS</p> <p>↔ = 5 x 3</p> <p>www.hags.com</p>	30	<p>HAGS</p> <p>↑↓ = 6 x 3</p> <p>www.hags.com</p>
31	<p>HAGS</p> <p>10 x 3</p> <p>www.hags.com</p>	32	<p>HAGS</p> <p>3 x 2</p> <p>www.hags.com</p>	33	<p>HAGS</p> <p>↑↓ = 10 x 2</p> <p>www.hags.com</p>				



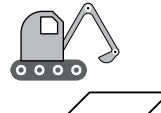
LxWxH (m)
3.44 x 2.67 x 2.27




kg
240



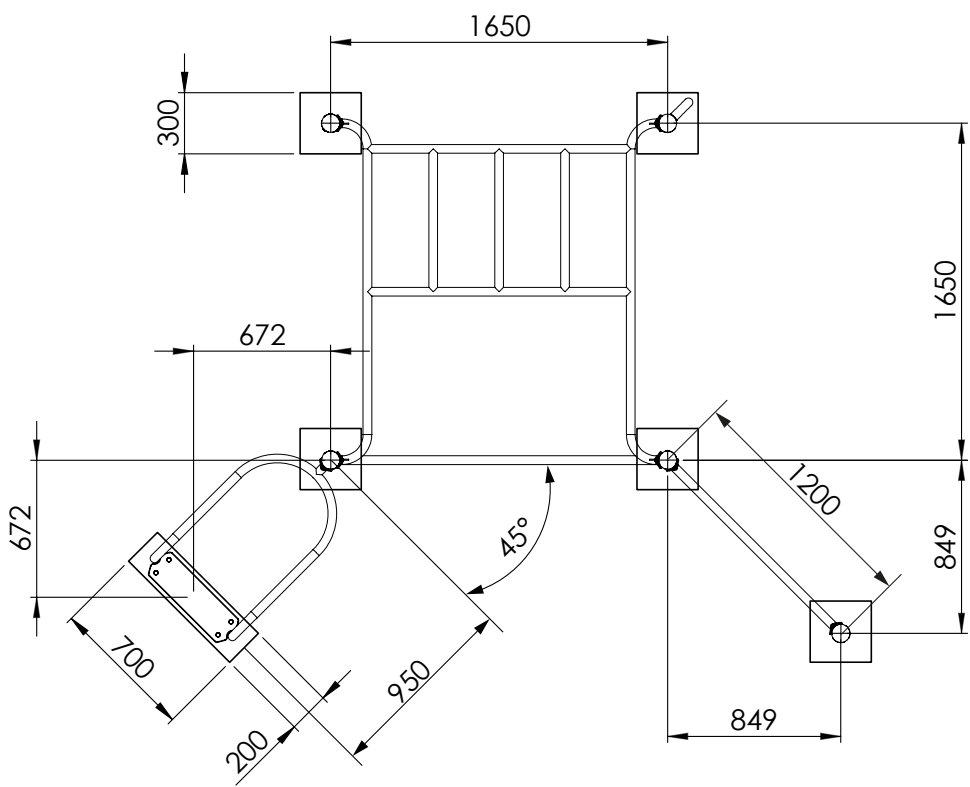
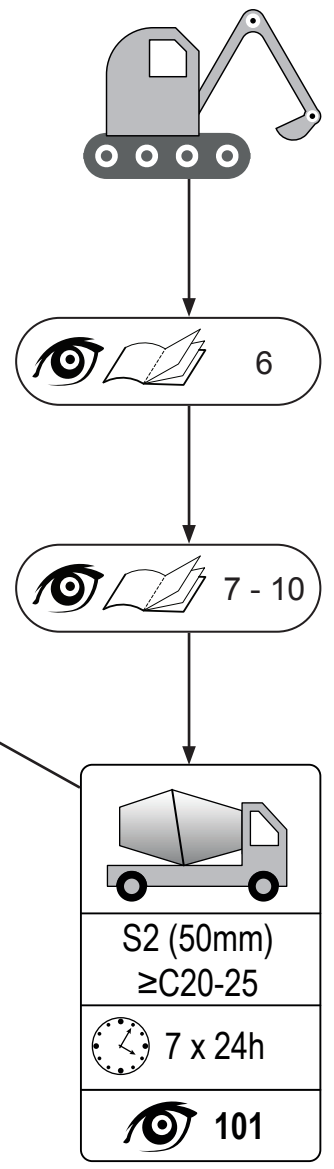
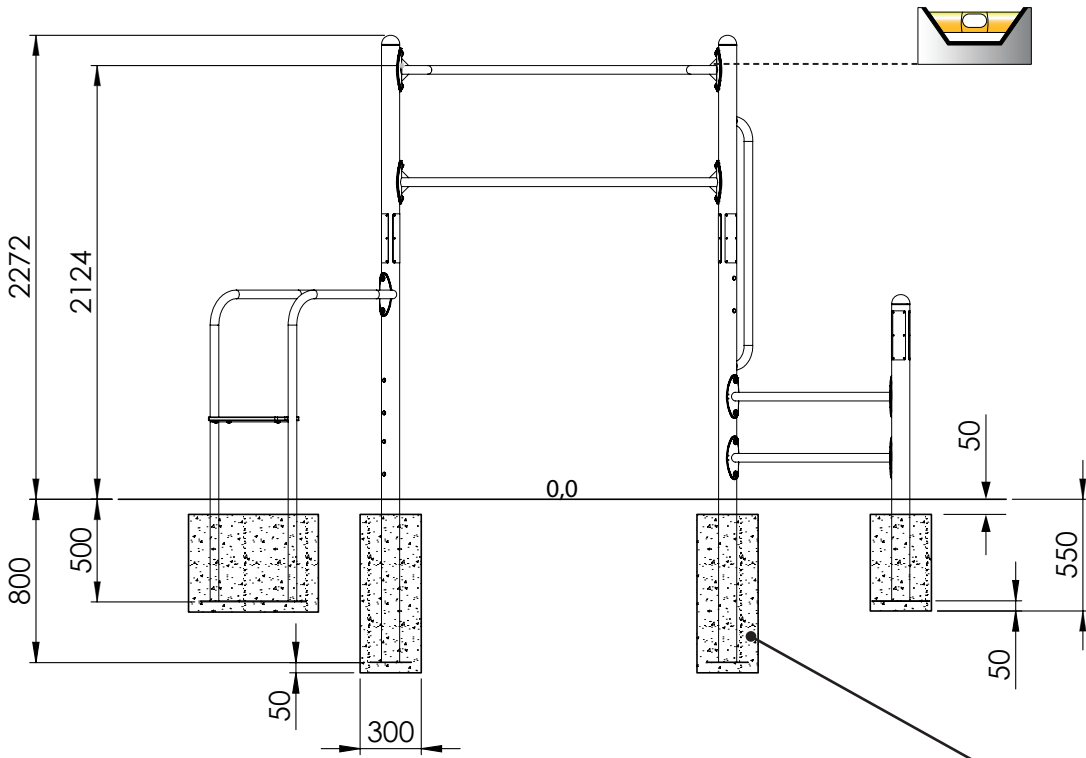
m³
0.37

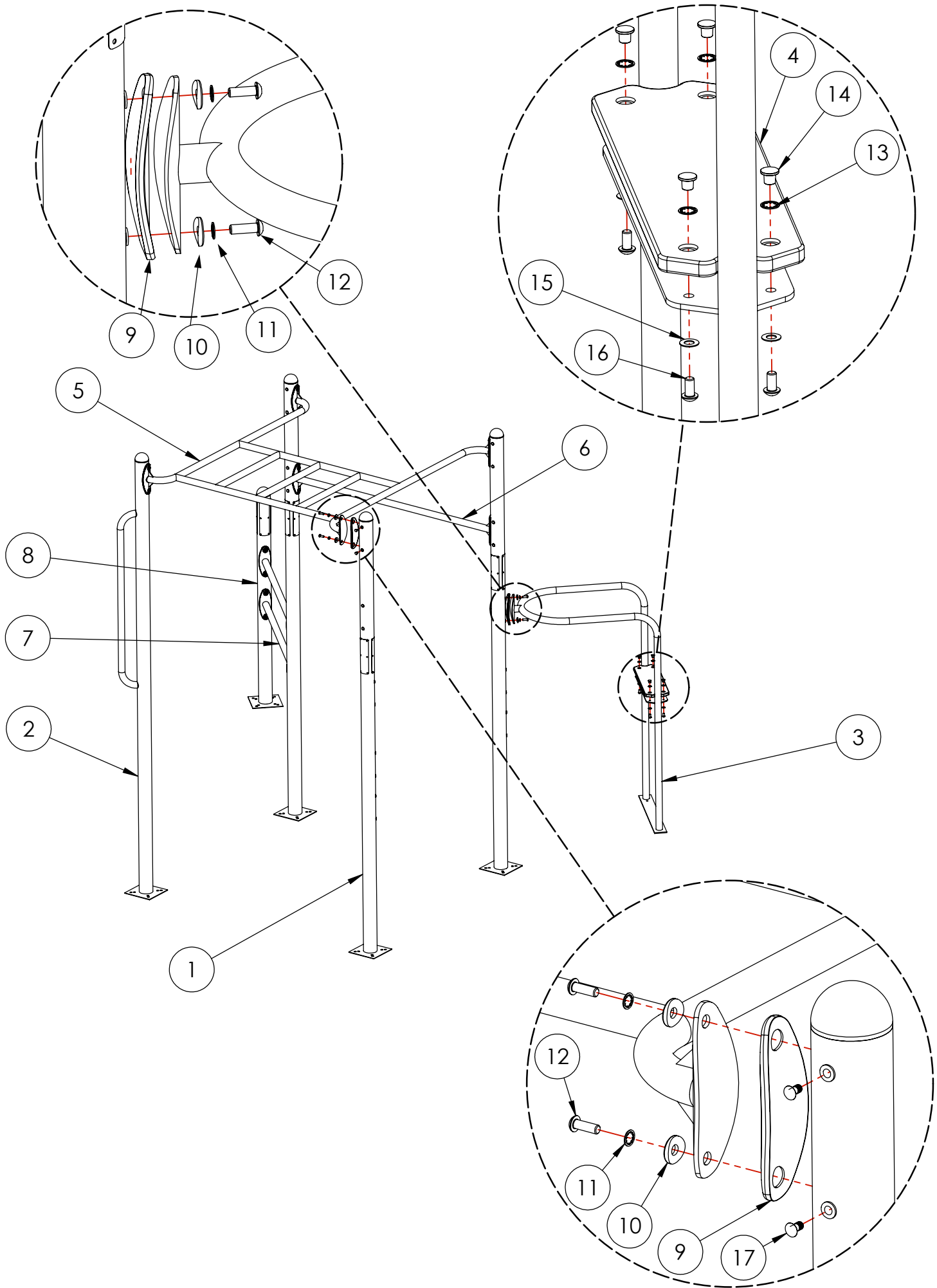


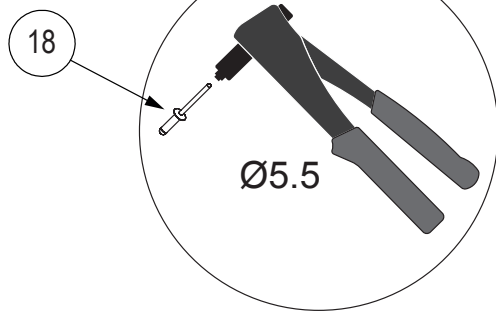
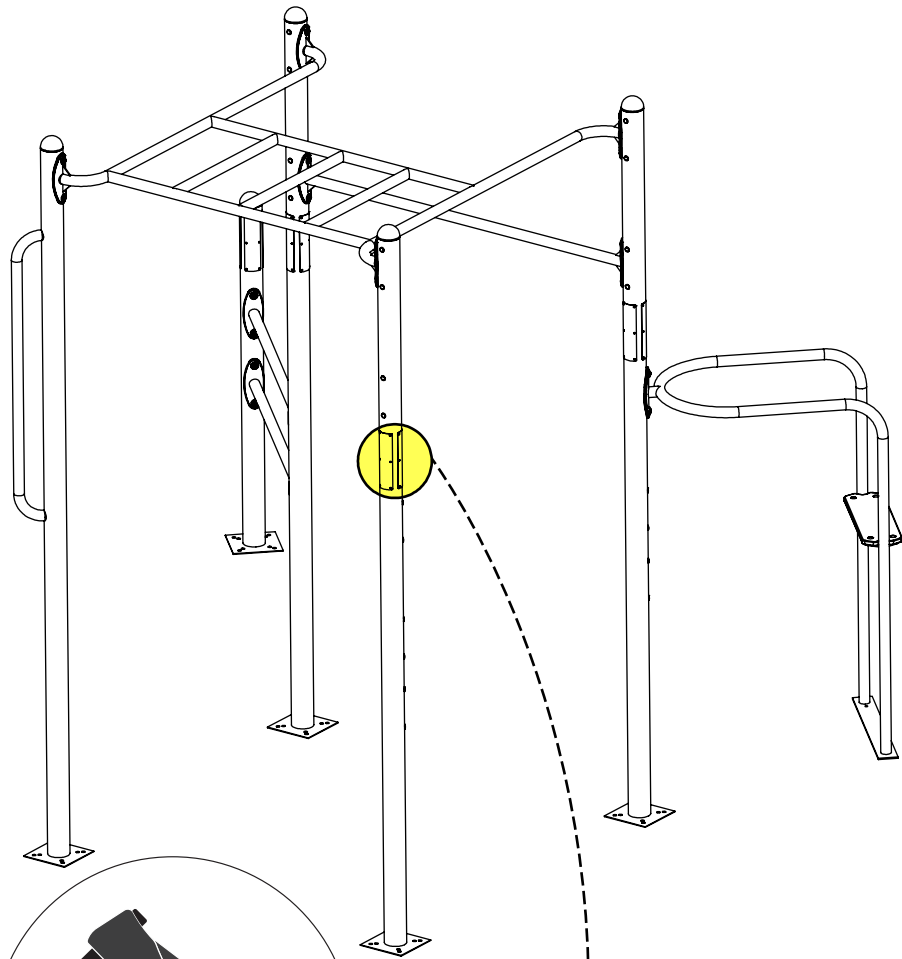
m²
10 x 10



x 2 = T
T = 14







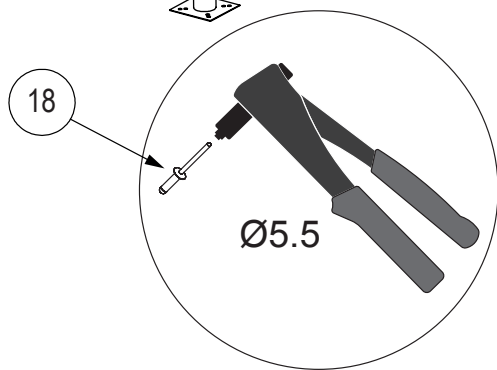
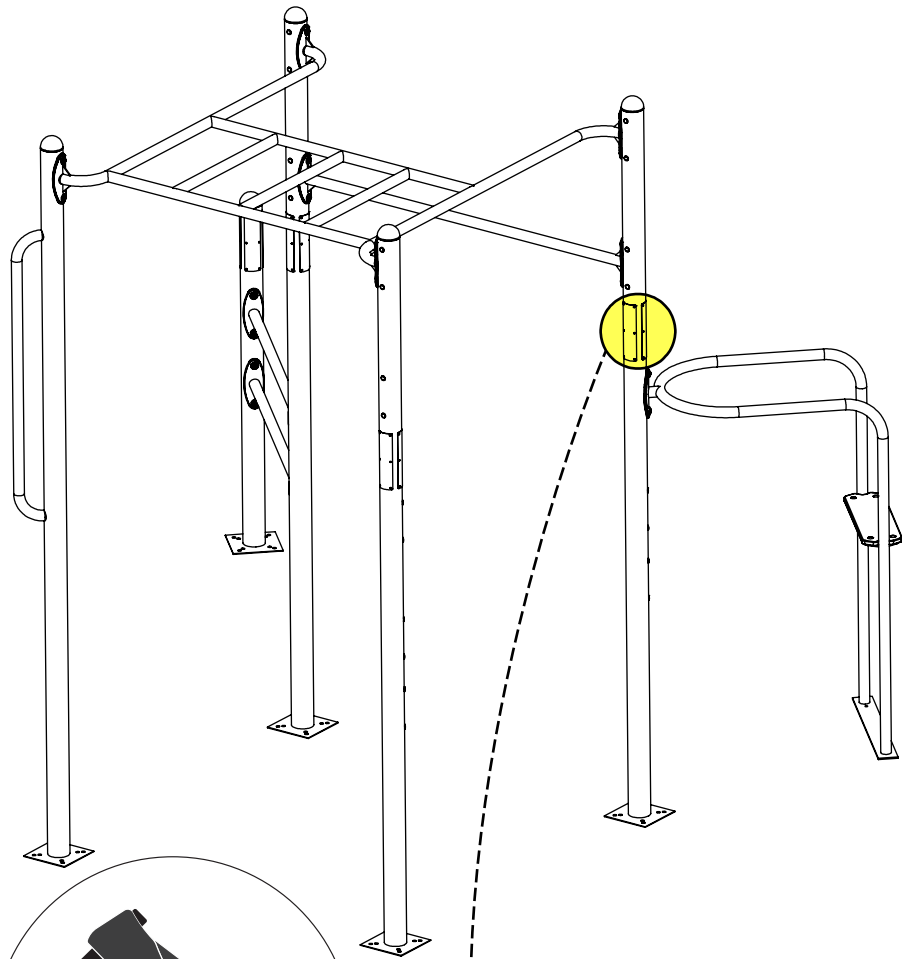
FS70000039C



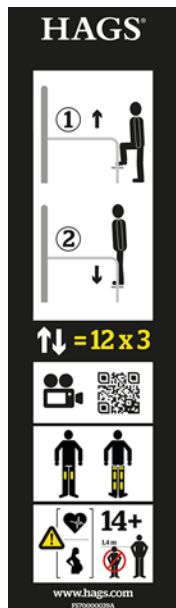
FS70000039H



FS70000039K



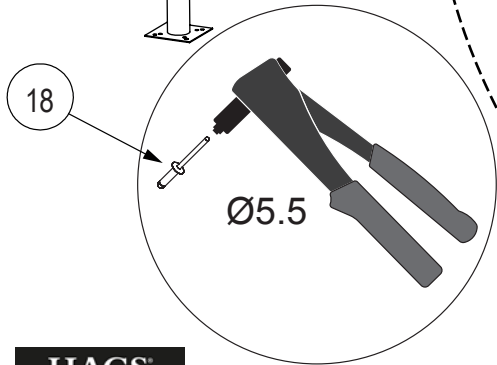
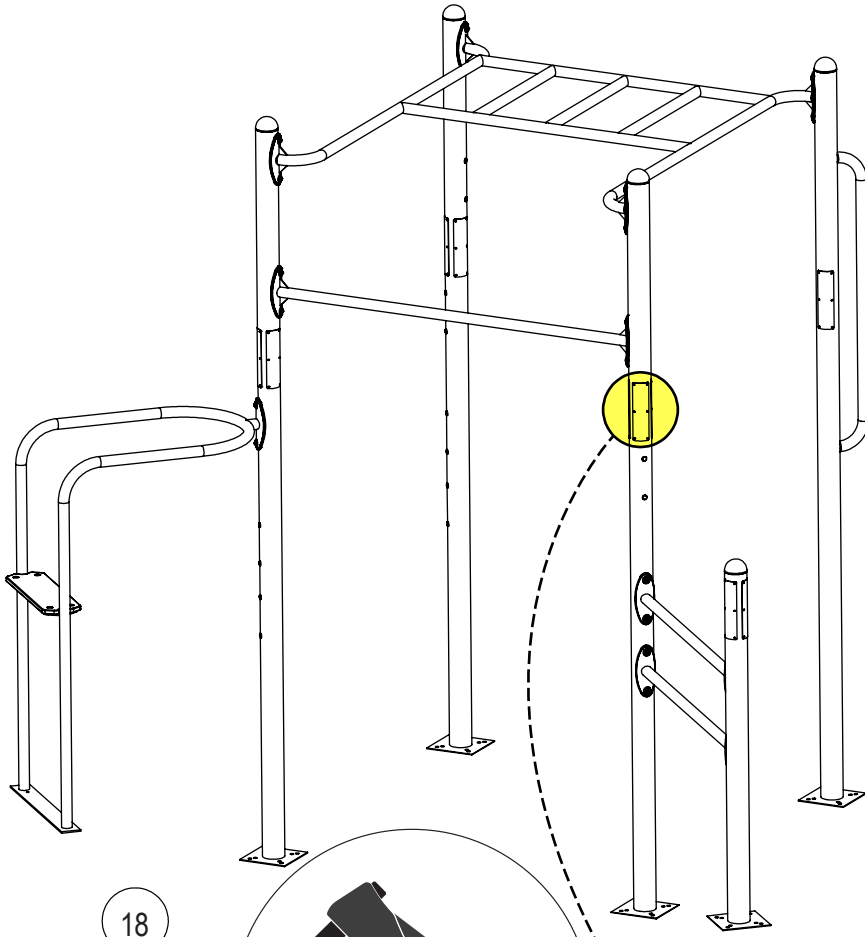
FS70000039B



FS70000039A



FS70000039J



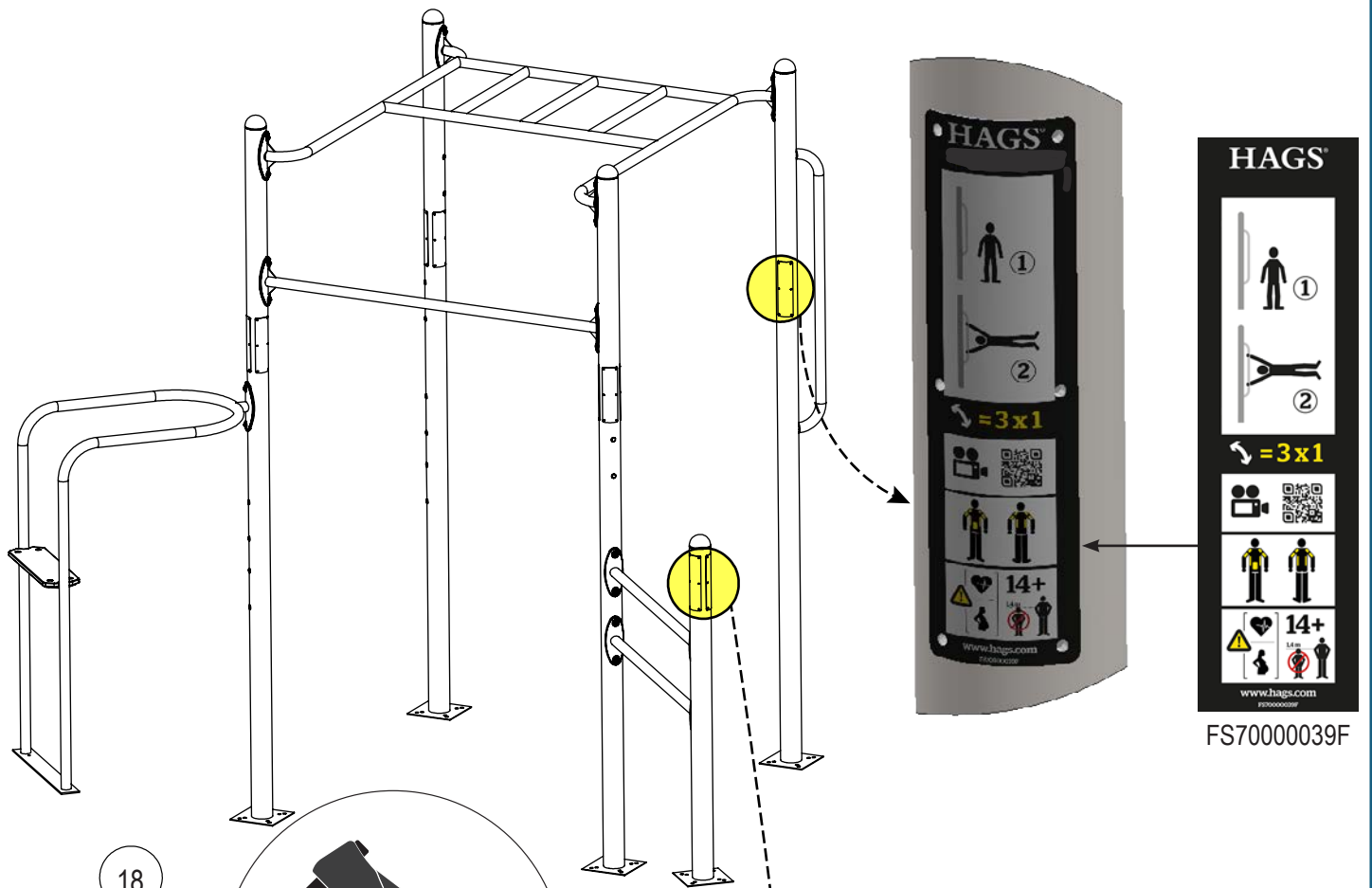
FS70000039L



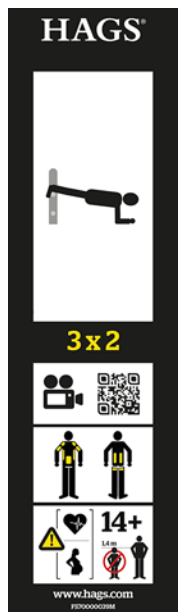
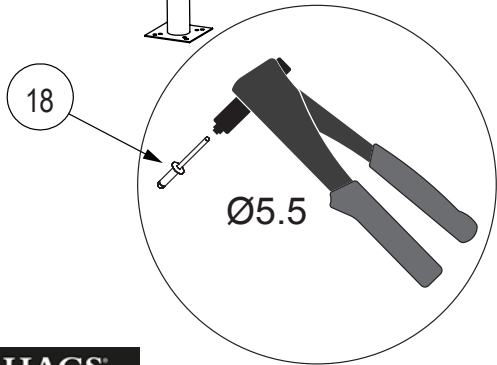
FS70000039G



FS70000039E



FS70000039F



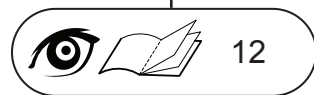
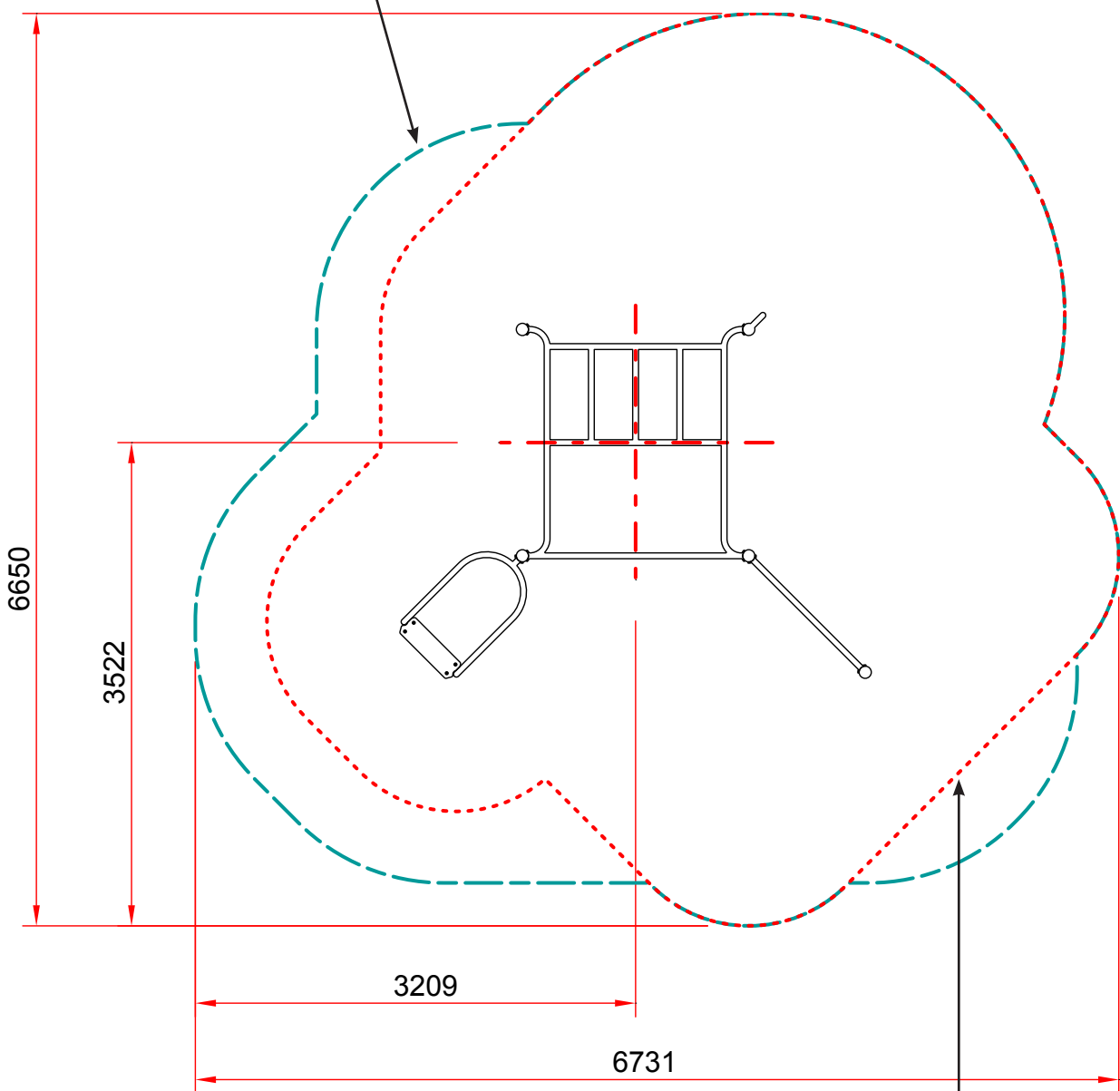
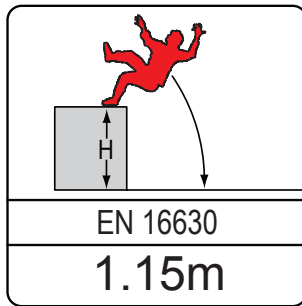
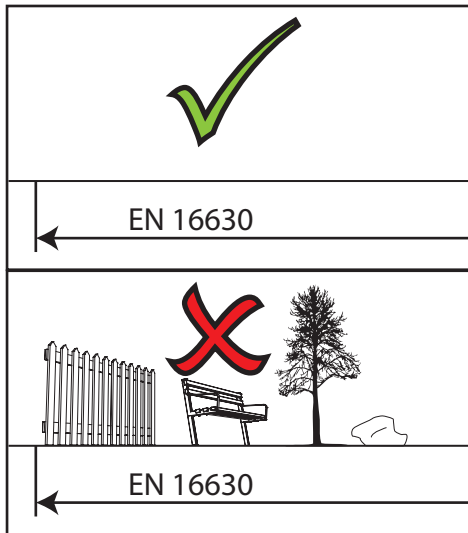
FS70000039M



FS70000039N



FS70000039D



Appendix A_EN 16630 Zones

