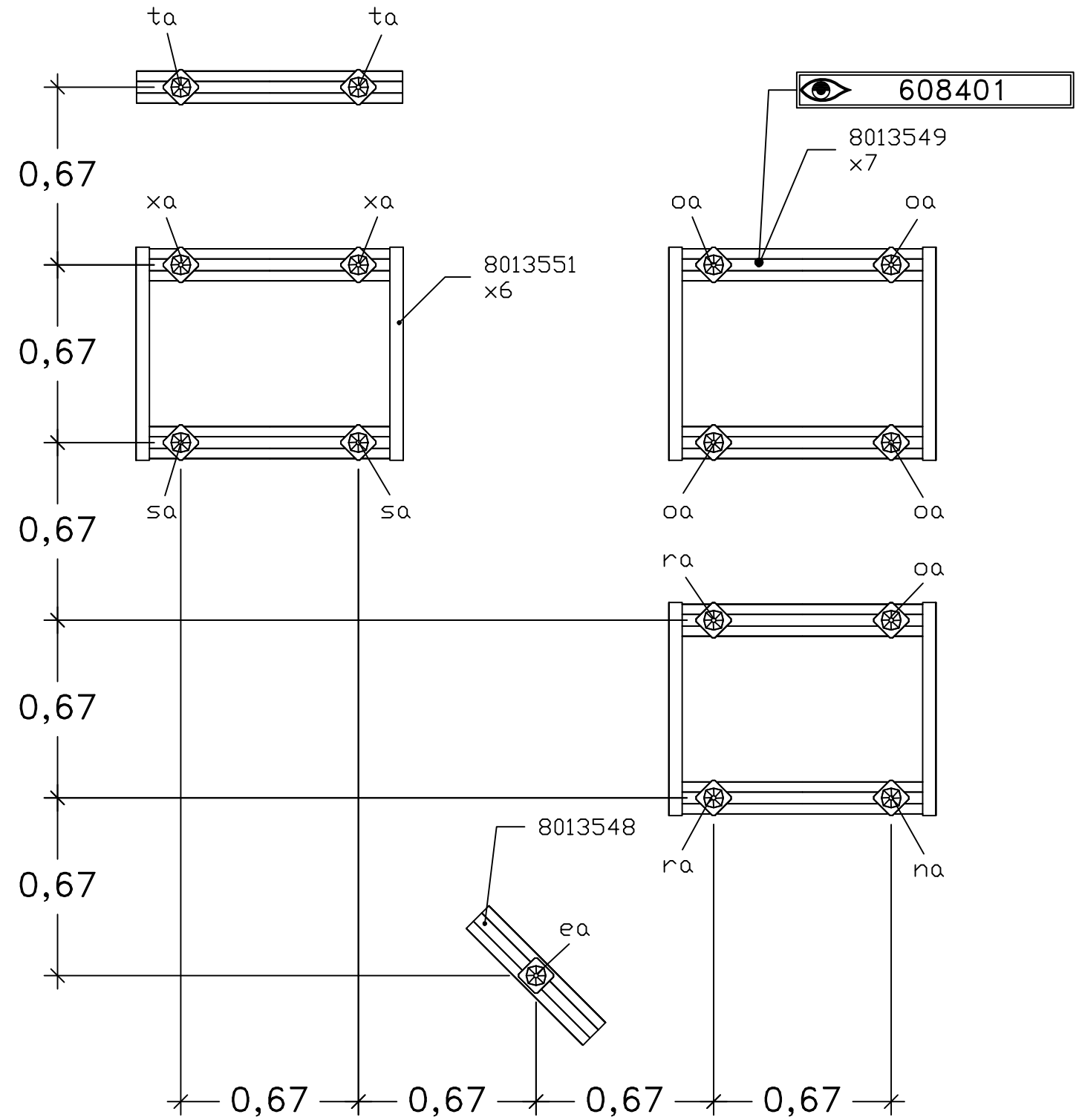
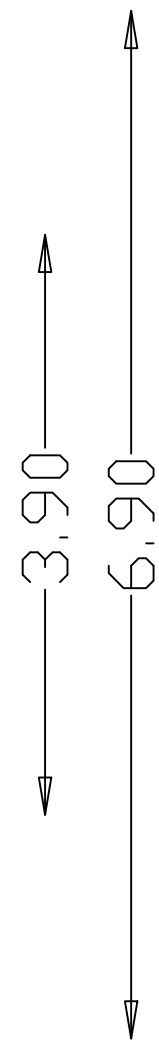
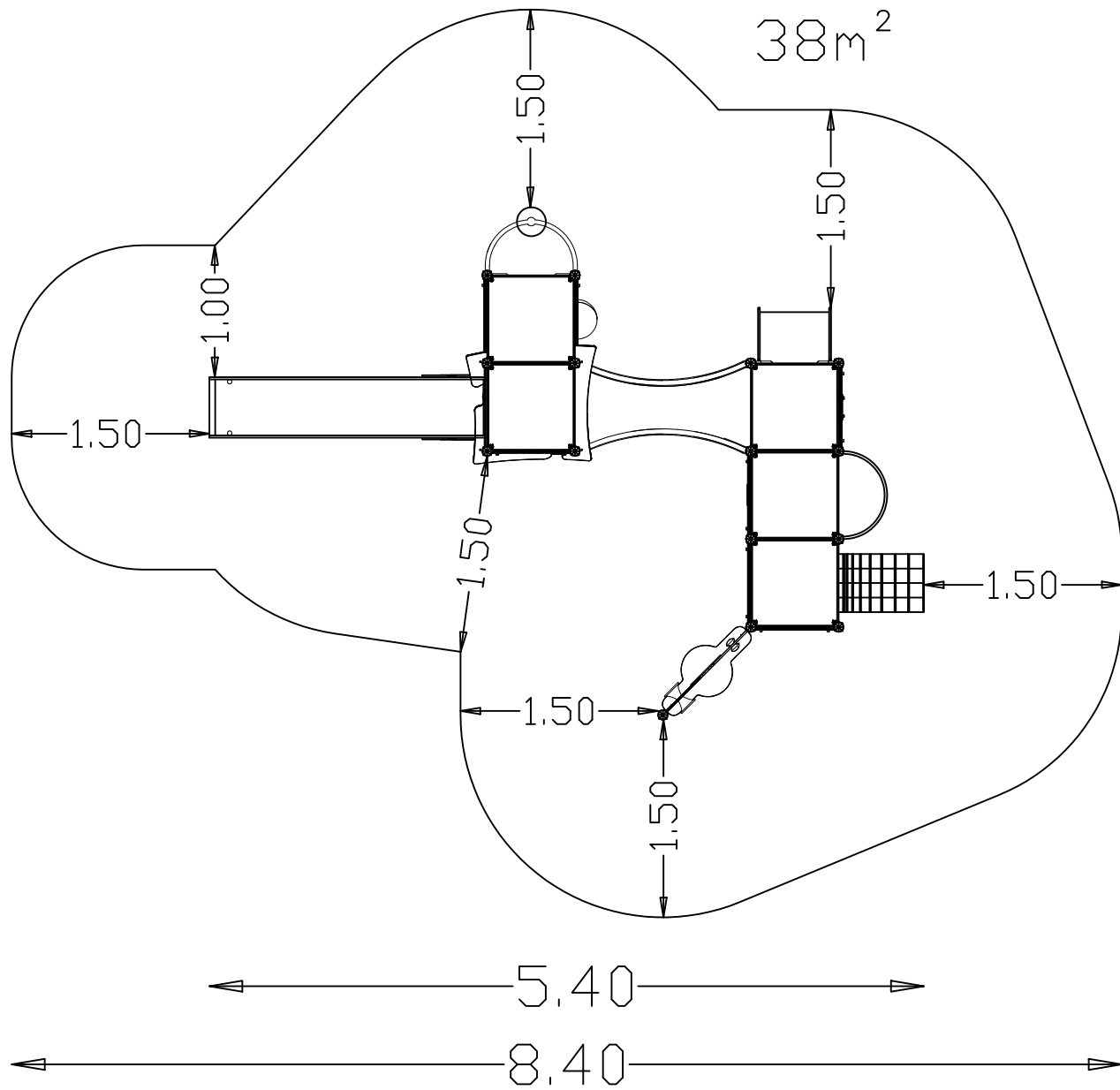


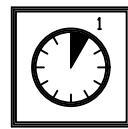
# UniMini Amiral



**HAGS** ANEBY, SWEDEN  
 +46(0)380-47300  
 www.hags.com

UniMini Amiral  
 8057446  
 1/6

JW JW 2022-03-10 2



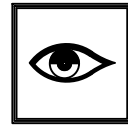
28h



Varje vecka  
 Every week  
 Jede woche  
 Chaque semaine



Varje säsong  
 Every season  
 Jedes Jahr  
 Chaque saison



Step by Step UNIMINI

1. Prepare the ground (level and clean).

2. Assemble the base (lay out the rails).

3. Attach the windbreaks (connect the sections).

4. Attach the roof (install the top rail).

5. Attach the legs (install the support poles).

6. Attach the floor (lay out the floor mat).

7. Attach the door (install the door frame).

8. Attach the stairs (install the staircase).

9. Attach the windbreaks (adjust the tension).

10. Attach the roof (adjust the height).

11. Attach the legs (adjust the level).

12. Attach the floor (adjust the tension).

13. Attach the door (adjust the seal).

14. Attach the stairs (adjust the steps).

15. Attach the windbreaks (adjust the tension).

16. Attach the roof (adjust the height).

17. Attach the legs (adjust the level).

18. Attach the floor (adjust the tension).

19. Attach the door (adjust the seal).

20. Attach the stairs (adjust the steps).

21. Attach the windbreaks (adjust the tension).

22. Attach the roof (adjust the height).

23. Attach the legs (adjust the level).

24. Attach the floor (adjust the tension).

25. Attach the door (adjust the seal).

26. Attach the stairs (adjust the steps).

27. Attach the windbreaks (adjust the tension).

28. Attach the roof (adjust the height).

29. Attach the legs (adjust the level).

30. Attach the floor (adjust the tension).

31. Attach the door (adjust the seal).

32. Attach the stairs (adjust the steps).

33. Attach the windbreaks (adjust the tension).

34. Attach the roof (adjust the height).

35. Attach the legs (adjust the level).

36. Attach the floor (adjust the tension).

37. Attach the door (adjust the seal).

38. Attach the stairs (adjust the steps).

39. Attach the windbreaks (adjust the tension).

40. Attach the roof (adjust the height).

41. Attach the legs (adjust the level).

42. Attach the floor (adjust the tension).

43. Attach the door (adjust the seal).

44. Attach the stairs (adjust the steps).

45. Attach the windbreaks (adjust the tension).

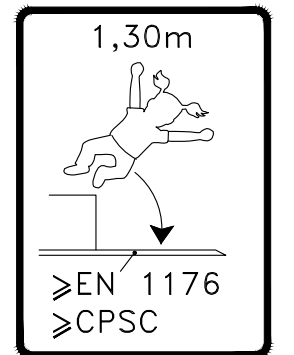
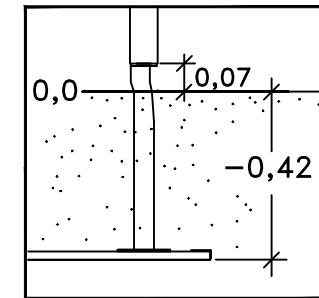
46. Attach the roof (adjust the height).

47. Attach the legs (adjust the level).

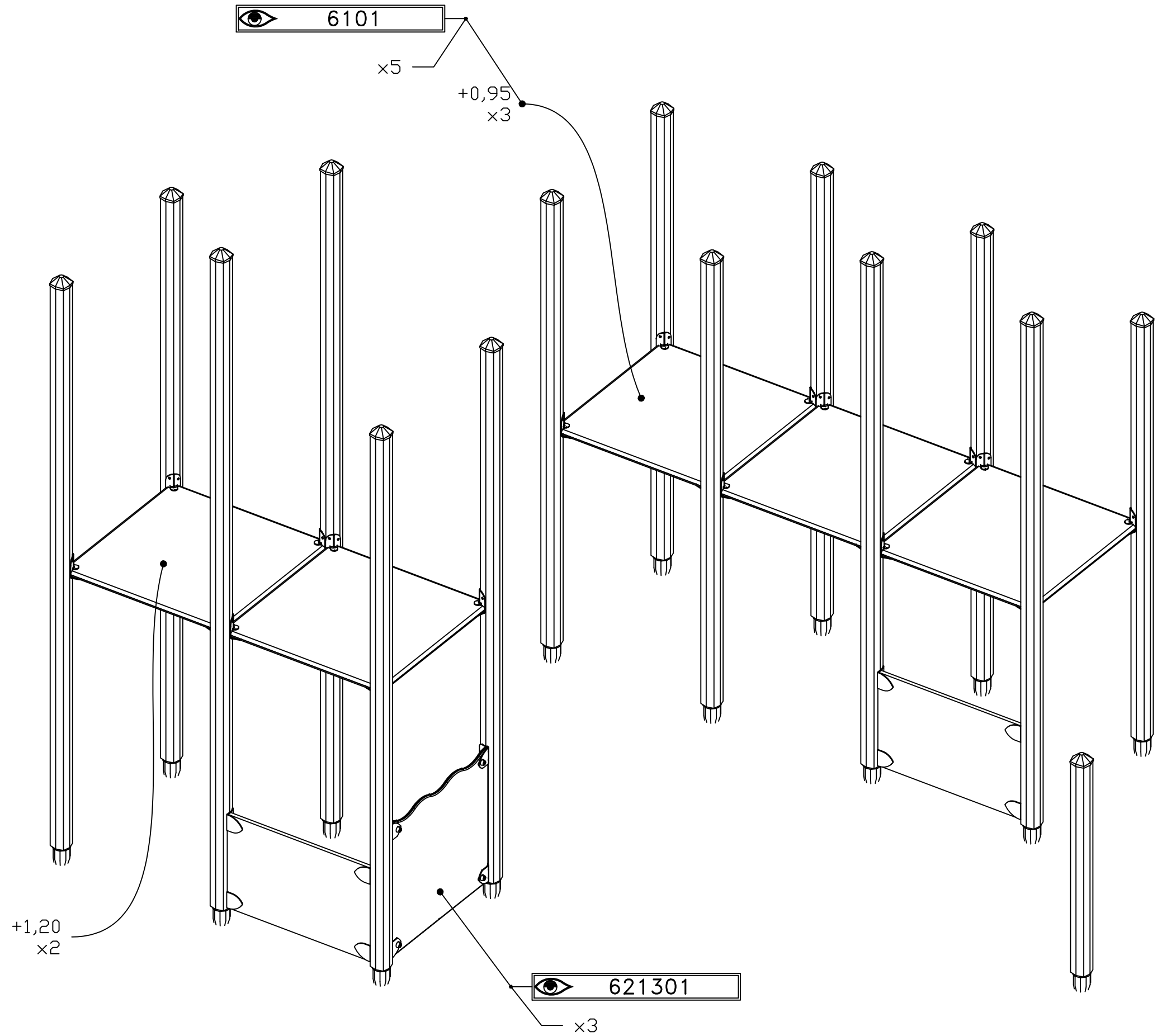
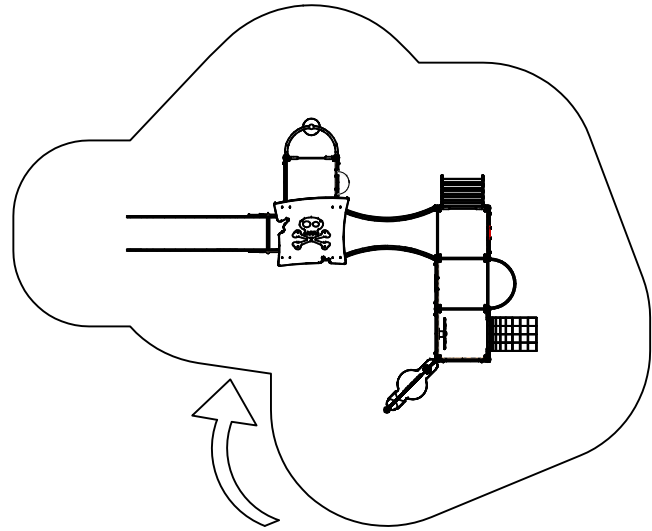
48. Attach the floor (adjust the tension).

49. Attach the door (adjust the seal).

50. Attach the stairs (adjust the steps).



STEP 1

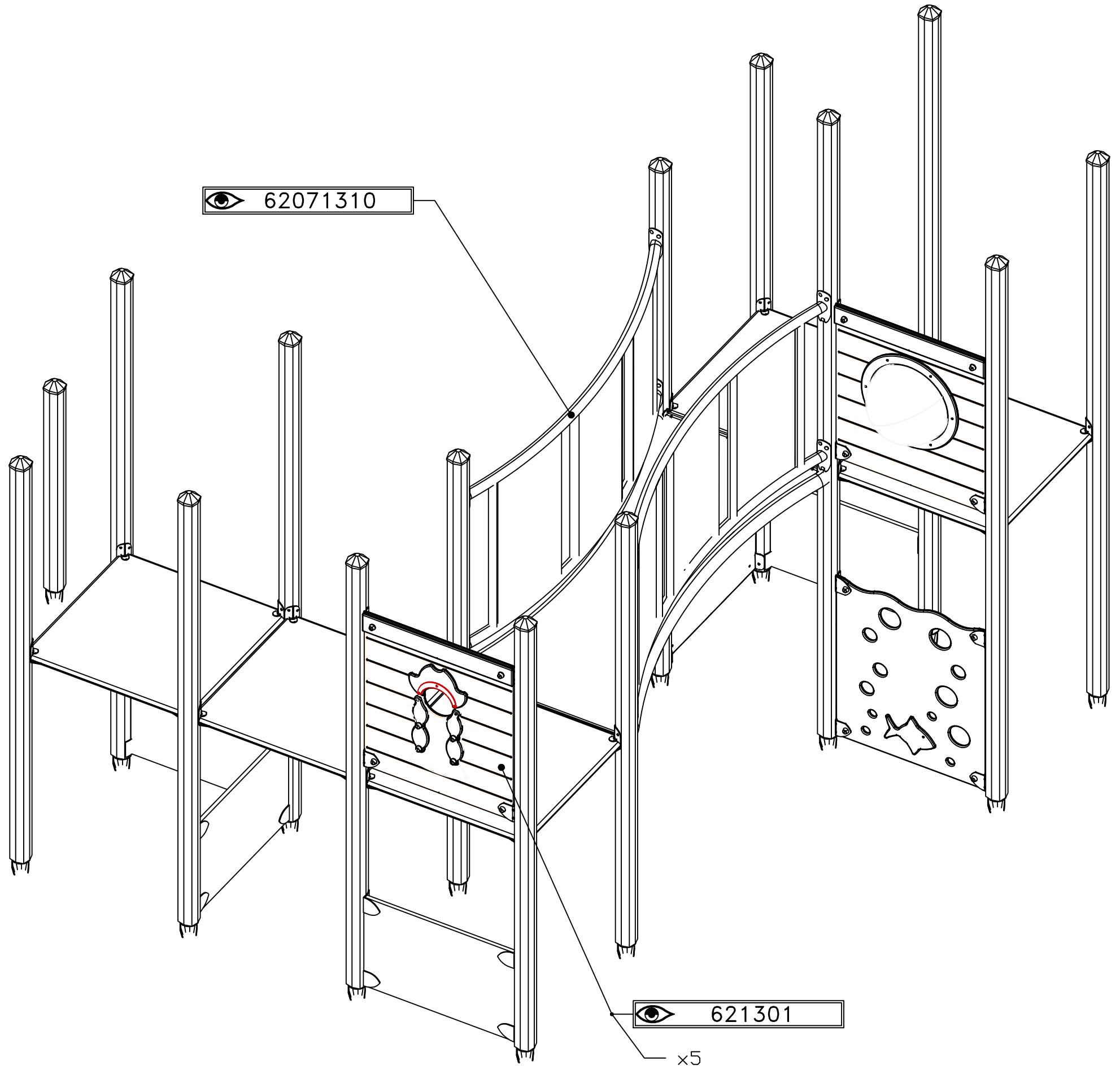
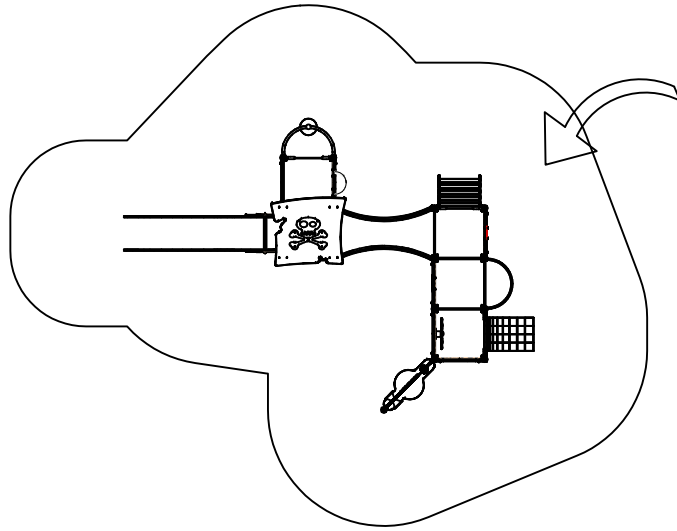


**HAGS** ANEBY, SWEDEN  
+46(0)380-47300  
www.hags.com

UniMini Amiral  
8057446  
2/6

JW JW 2022-03-10 2

STEP 2

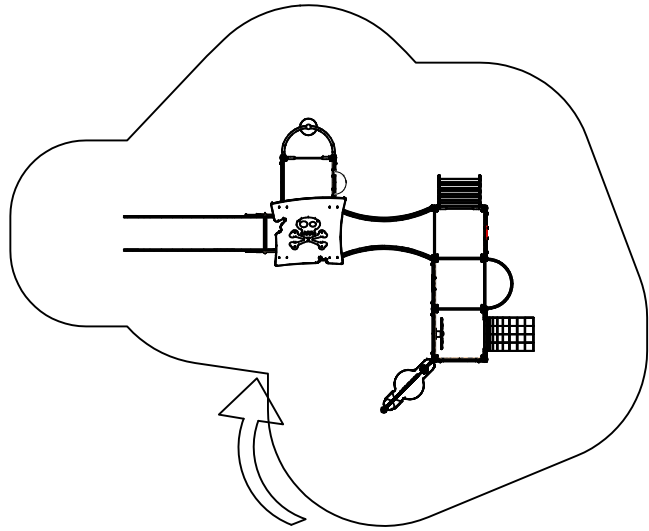


**HAGS** ANEBY, SWEDEN  
+46(0)380-47300  
www.hags.com

UniMini Amiral  
8057446  
3/6

JW JW 2022-03-10 2

STEP 3



621301

x5

695105

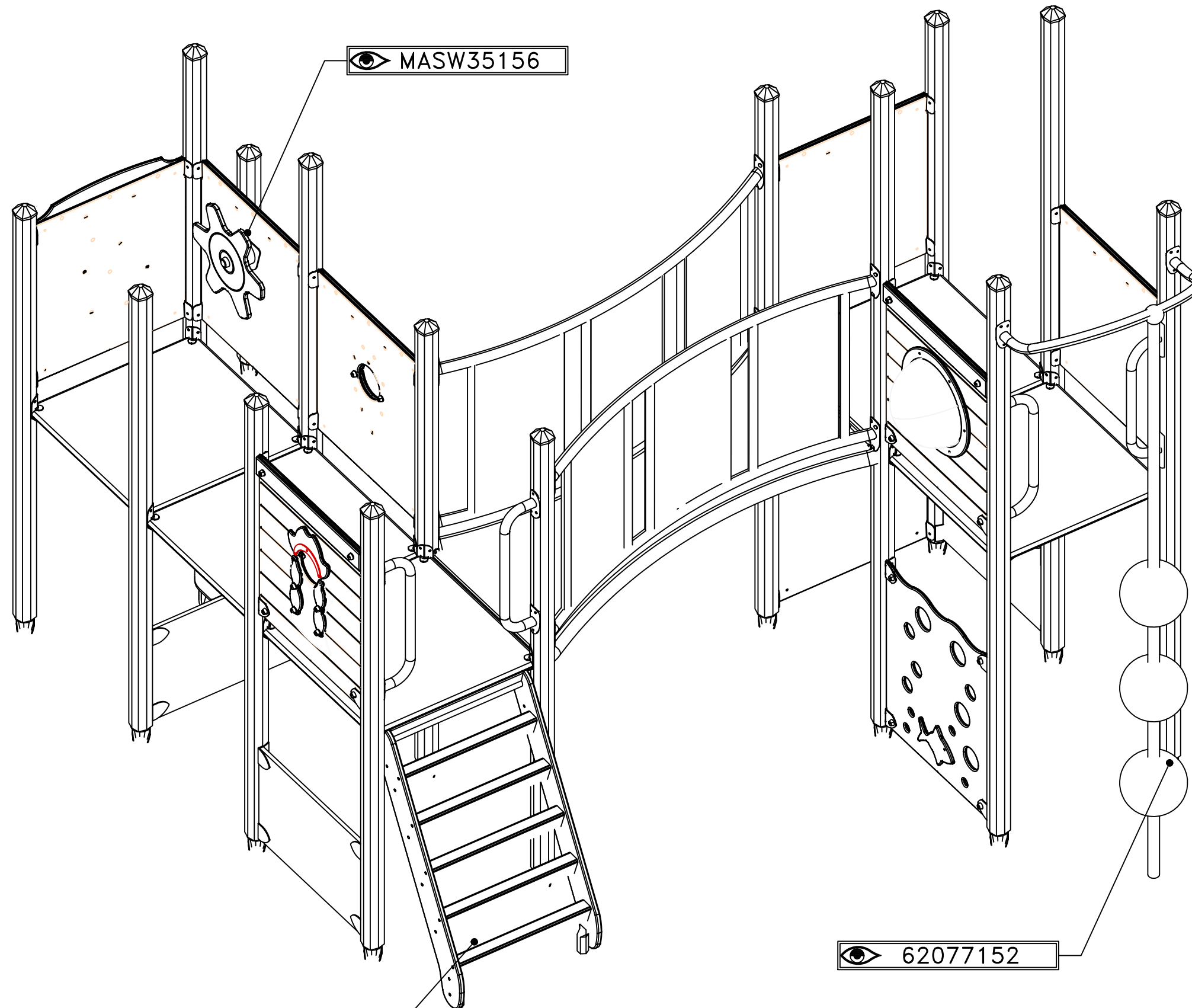
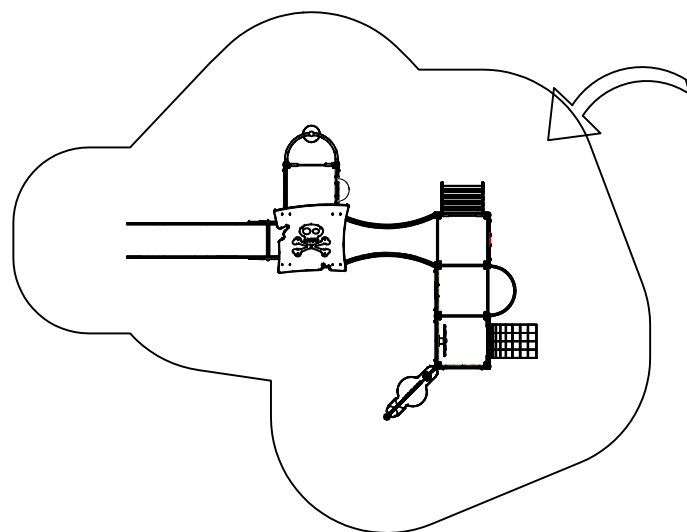
MASW44481

**HAGS** ANEBY, SWEDEN  
+46(0)380-47300  
www.hags.com

UniMini Amiral  
8057446  
4/6

JW JW 2022-03-10 2

STEP 4

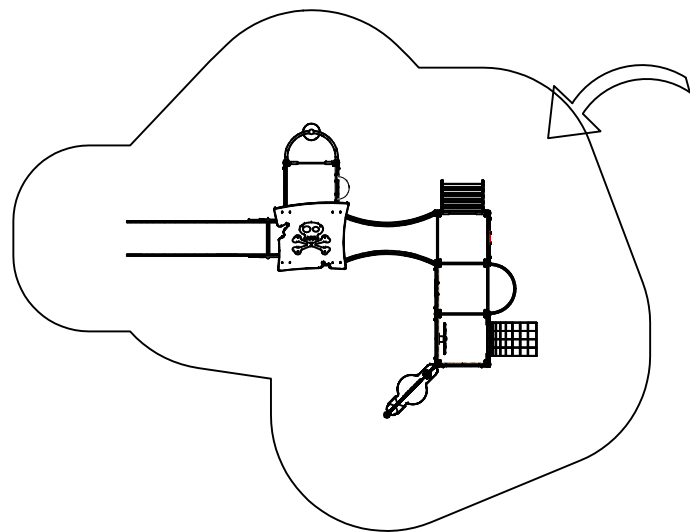


**HAGS** ANEBY, SWEDEN  
+46(0)380-47300  
www.hags.com

UniMini Amiral  
8057446  
5/6

JW JW 2022-03-10 2

STEP 5



6342

MASW46226

692213

620913

670313

**HAGS**

ANEBY, SWEDEN  
+46(0)380-47300  
www.hags.com

UniMini Amiral  
8057446  
6/6