




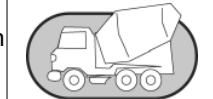
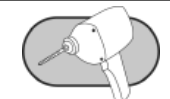

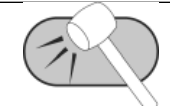
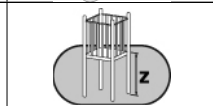
Assembly View (*representative model*)

Installation Instructions

Universal Models UN8936, UN8937 and UN8938
Metal PlayCubes Support Post
3 Cubes High, 2 Cubes High and One Cube High
In-ground

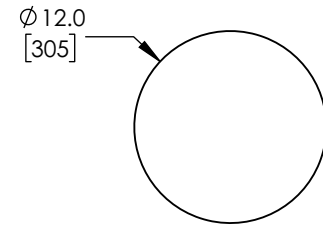
Installation Preparation

Recommended Crew: Two (2) adults
Installation Time: 1 man-hour
Concrete Required: 0.03 cubic yard (0,02 cubic meters)

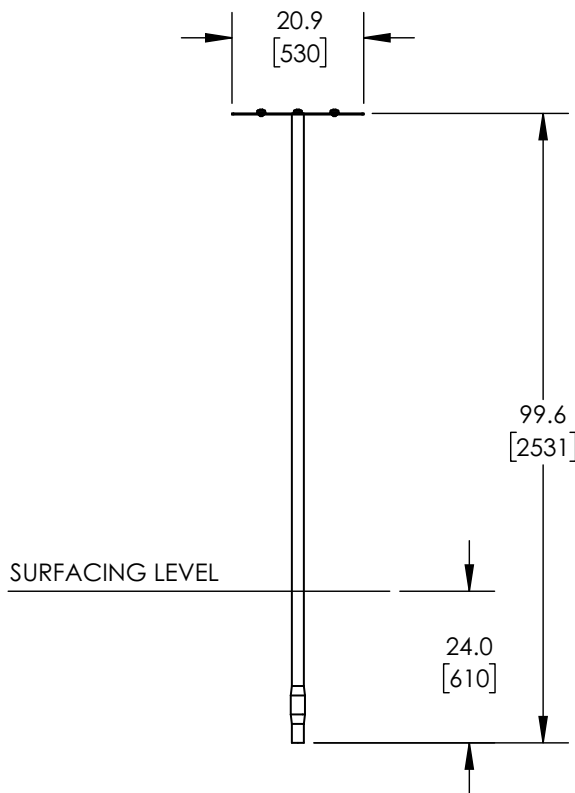
ICON KEY			
	Fully Tighten Hardware		Add 1 Drop of Thread Locking Adhesive
	Do Not Fully Tighten Hardware		Pour Concrete
	Drill		Dig Footing Holes
	Hammer		Critical Fall Height

Installation Instructions

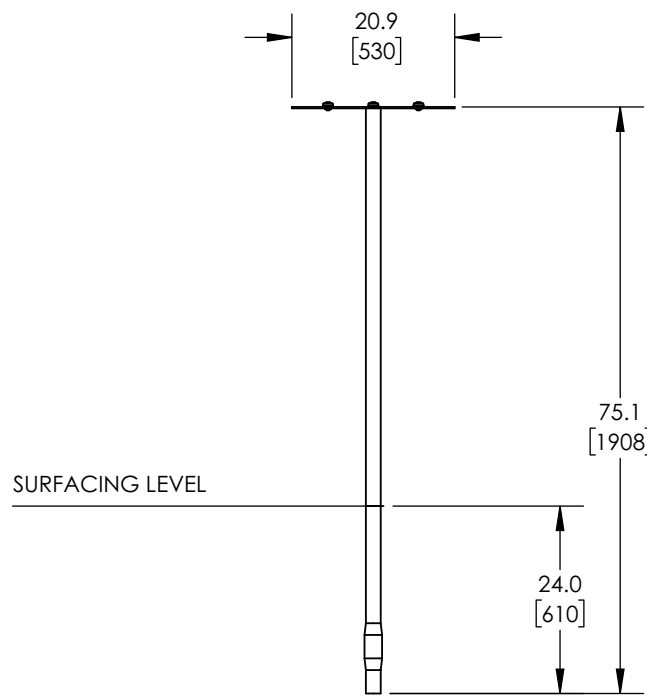
KEY	
Position	Unit of Measurement
Top #	Inches
Bottom #	[Millimeters]



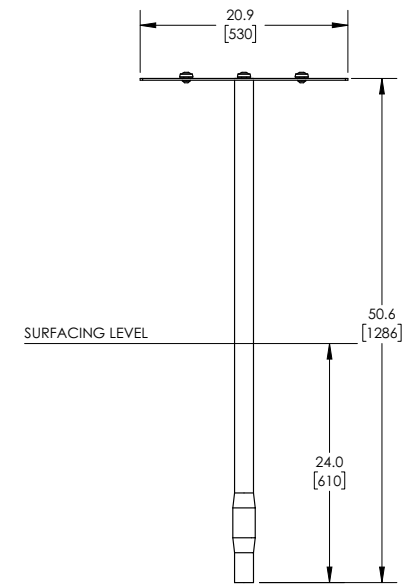
Footing Diagram
All Models



Elevation Views
ZZUN8936

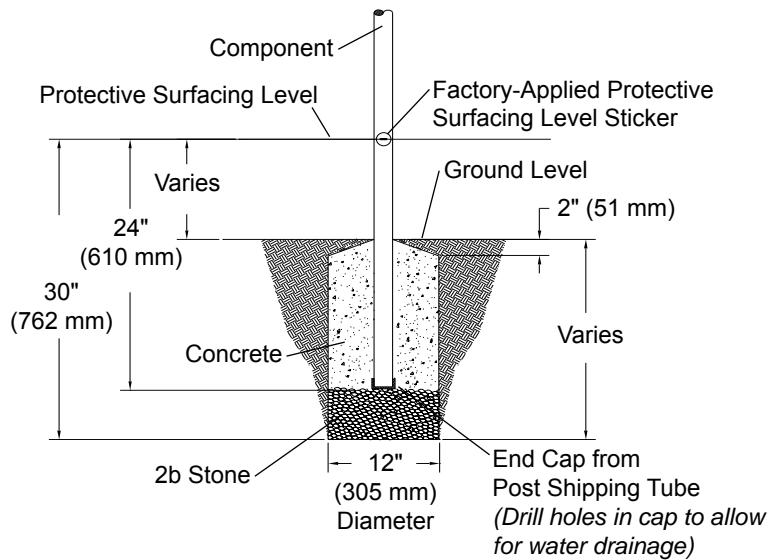


Elevation Views
ZZUN8937

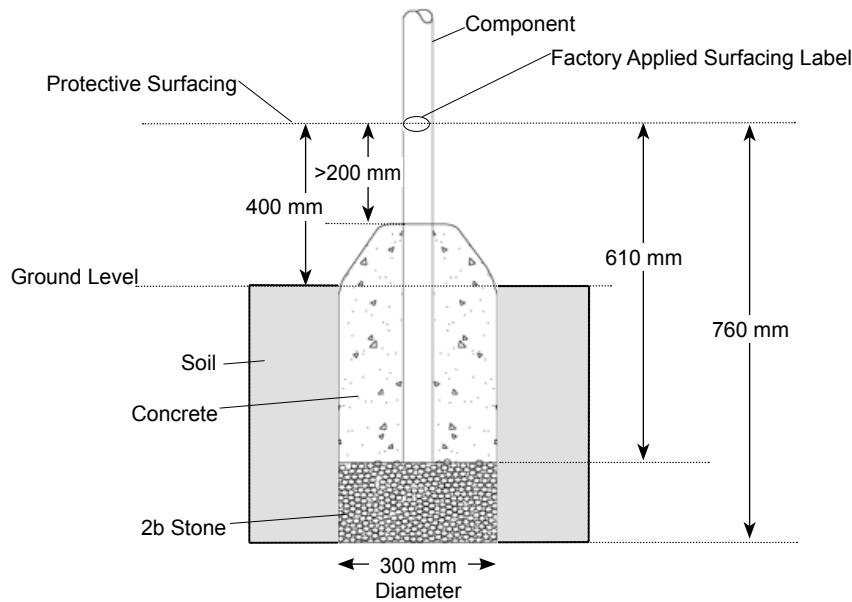


Elevation Views
ZZUN8938

Installation Instructions



Component Footing Detail (ASTM/CSA)



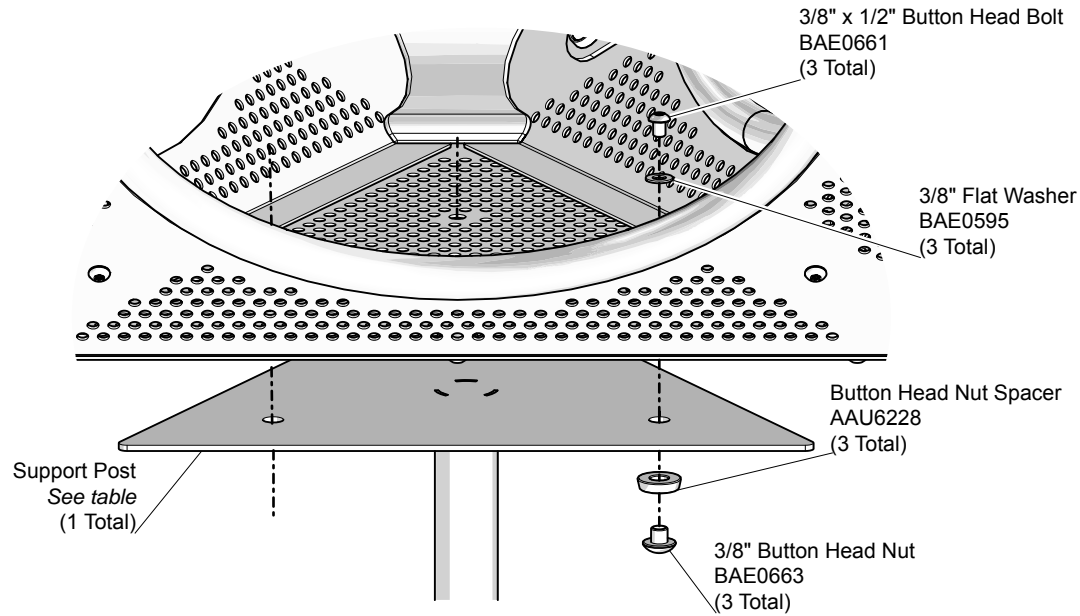
Footing Detail Component Post (EN)

FOOTING NOTES

- Component footing depth equals 30 in. (762 mm) less the depth of the protective surfacing material. The post is designed to have 12" (305 mm) in concrete.
Example: If 12 in. (305 mm) of wood mulch is used for surfacing, the footing depth would be 18 in. (457 mm).
- Some support posts and component support legs may have either a factory-applied sticker with line, or factory-applied mark designating protective surfacing level on a clear and level installation site.
- If play structure is installed on uneven terrain, maintain support post mark at protective surfacing level at lowest grade. Adjust other footings accordingly. Support posts and all attaching decks and play components must be plumb and level.
- Do not encase bottom of support post in concrete. Place post directly on packed stone or porous block.
- The footings shown on Playworld Systems' documentation are recommendations based on historical performance in average soil conditions. Footing dimensions may be modified by the owner based on actual soil conditions.
For example:
 - If local soil is loose or unstable, a larger footing may be required.
 - If local soil is considered stable, such as bedrock, clay or hard packed earth, a smaller footing may be used. Before changing footing dimensions, we strongly recommend that the footings be reviewed and approved by a registered engineer.
- Base of footing must be below frost line.
- Assemble the entire structure before pouring concrete unless specifically instructed to do so in the individual component installation instructions.

Installation Instructions

Follow the details in alphabetical order. For clarification, each detail references the step description. The step descriptions start on page 5.



Detail A

Step 4

Attach the support post to the bottom cube.

Model	Support Post Part Number
UN8936	APT5446
UN8937	APT5447
UN8938	APT5448

Installation Instructions

Notes Before You Begin: Do not over tighten bolts during assembly, only snug tighten them until assembly is complete.

Carefully read and understand these installation instructions before you begin.

Step 1: Before attempting to assemble your equipment, please review all installation information carefully. Should you experience any difficulty during the installation process, please call us at the phone number shown on the last page of these instructions.

Step 2: Separate and identify all components and hardware.

Step 3: Excavate footings as shown in the **Component Footing Details** on page 3 of this installation document.

Step 4: Attach the support post to the bottom cube. See **Detail A**. Position the support post beneath a bottom cube, align the holes in the mounting bracket with the holes in the cube and the perf plate and attach as shown.

Final Details.

Step 5: Plumb and level the component. Tighten **all** fasteners. Fully tighten all fasteners according to tightening torque specifications. Block and brace for concrete. Pour concrete after all equipment has been assembled. Allow 72 hours for concrete to completely cure.

Torque Specifications:

Bolts and nuts - Snug tighten and then tighten an additional one half turn.



UN8936 - METAL PLAYCUBES SUPPORT POST 3 CUBES HIGH

PART NO.	DESCRIPTION	QTY.
AAU6228	SPACER - BUTTON HEAD NUT	3
APT5446	POST - 99.63" x 18.13" x 20.85"	1
BAE0595	WASHER - 3/8" SAE FLAT	3
BAE0661	BOLT - 3/8"-16 x .50" BUTTON HEAD - SS	3
BAE0663	NUT - 3/8"-16 x 7/16" BUTTON HEAD	3

UN8937 - METAL PLAYCUBES SUPPORT POST 2 CUBES HIGH

PART NO.	DESCRIPTION	QTY.
AAU6228	SPACER - BUTTON HEAD NUT	3
APT5447	POST - 75.11" x 18.13" x 20.85"	1
BAE0595	WASHER - 3/8" SAE FLAT	3
BAE0661	BOLT - 3/8"-16 x .50" BUTTON HEAD - SS	3
BAE0663	NUT - 3/8"-16 x 7/16" BUTTON HEAD	3

UN8938 - METAL PLAYCUBES SUPPORT POST 1 CUBE HIGH

PART NO.	DESCRIPTION	QTY.
AAU6228	SPACER - BUTTON HEAD NUT	3
APT5448	POST - 50.61" x 18.13" x 20.85"	1
BAE0595	WASHER - 3/8" SAE FLAT	3
BAE0661	BOLT - 3/8"-16 x .50" BUTTON HEAD - SS	3
BAE0663	NUT - 3/8"-16 x 7/16" BUTTON HEAD	3



The world needs play.[®]

For Customer Service, Call
800-233-8404 or
570-522-9800 OUTSIDE U.S.
 1000 Buffalo Road • Lewisburg, PA 17837
www.playworld.com



Fasteners

- Inspect for loose fasteners. Tightening torque specifications are:
Bolts and Nuts: Snug tighten and tighten an additional one-half turn.
- If during the maintenance process a bolt needs to be removed from a part or parts, it will be necessary to apply a drop of liquid thread lock / loctite to the bolt before reinstallation.
- Inspect for missing, worn or broken fasteners. If any missing, worn or broken fasteners are found, refer to the installation instructions for proper replacement fastener. If any damage is detected, barricade equipment to prevent use until repair is completed. Contact your sales representative immediately for a replacement part.

Welds

- Inspect all welded joints. If any broken welds are detected, barricade equipment to prevent use until repair is completed. Contact your sales representative immediately for a replacement part.

Finish

- Inspect metal parts for finish damage.
To repair painted surfaces, sand damaged area with sandpaper and wipe clean. Mask area and paint with primer and allow to dry. Paint primed area with color-matching paint and allow to dry. Recoat area with color-matching paint if required. Drying time is approximately 8 hours between coats.

Footings

- Inspect component to be solid in footing and secure. If any damage is detected, barricade equipment to prevent use until repair is completed.

Surfacing

- Refer to the specific surfacing maintenance detail sheet for additional information.

Replacement Parts

- Refer to your installation instructions to obtain replacement part number.
- Contact your sales representative or call Playworld Systems' Customer Service for a replacement part.

Equipment Maintenance

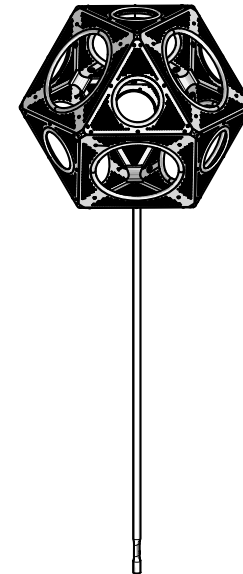
Universal Models

UN8936, UN8937 and UN8938

Metal PlayCubes Support Post

3 Cubes High, 2 Cubes High and One

Cube High - In-ground



Inspection Form

Preventive Maintenance

... for Safety's Sake!

- Be sure that you are using a copy of this Inspection Form and not your original.
- Use the Inspection Codes listed below and record condition of equipment at time of examination on the Inspection Checklist.
- Document any item from the Inspection Checklist that will require maintenance along with any corrective action on the Maintenance Schedule.
- Be sure to include appropriate dates and signatures on each section to properly document maintenance procedure.

INSPECTION CHECKLIST

	Frequency	Inspection Code	Date	Date Repairs Completed
Inspect footing to insure support is secure and footing is not damaged.	Low			
Inspect surfacing to insure proper depth and distribution.	High			
Inspect metal parts for structural and finish damage.	Medium			
Inspect for loose, missing, worn, or broken fasteners.	High			

Inspection Codes	
P = Pass	F = Fail
NA = Not Applicable	

Inspector: Name (Please Print) _____ Signature: _____ Date: ___ / ___ / ___

MAINTENANCE SCHEDULE

Item in Question	Description of Problem	Corrective Action	Date

Repairer: Name (Please Print) _____ Signature: _____ Date: ___ / ___ / ___

