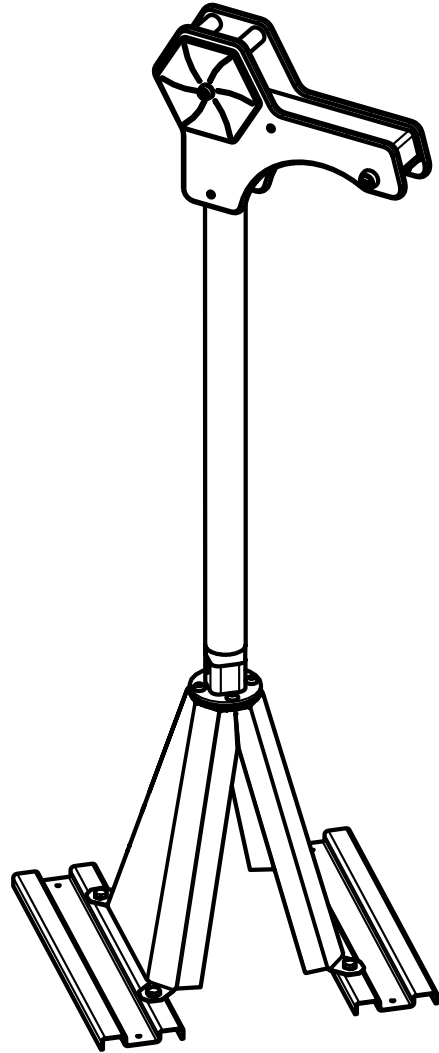


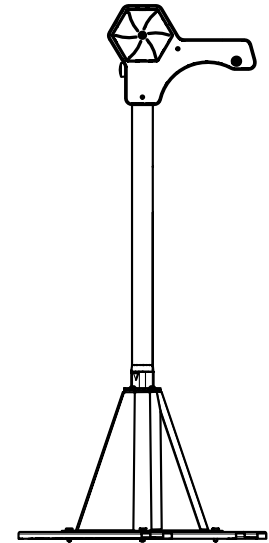
HAGS[®]




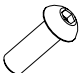



Water Tap

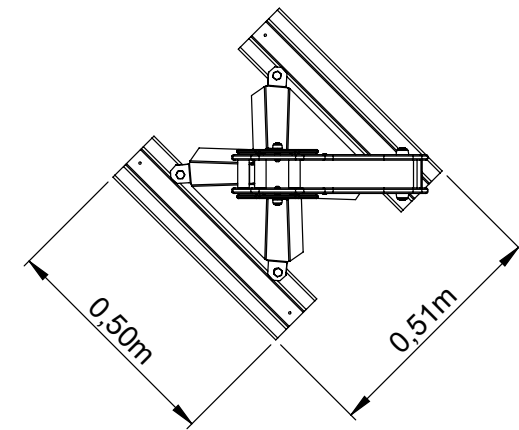
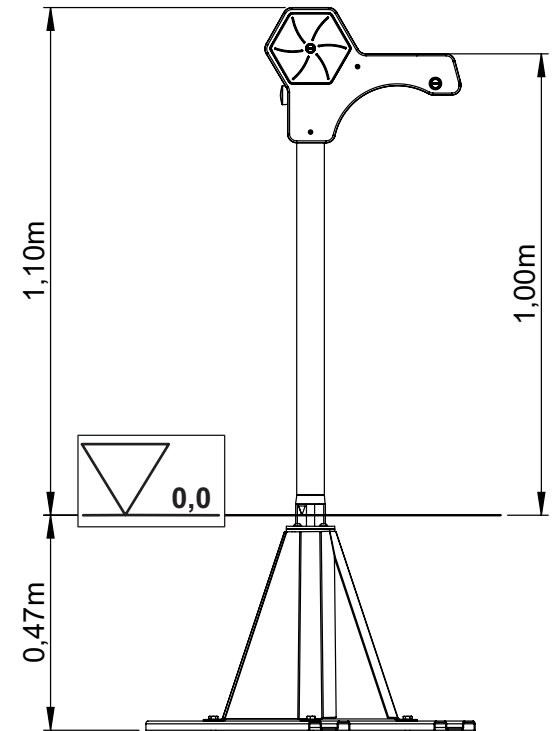
MASW111258



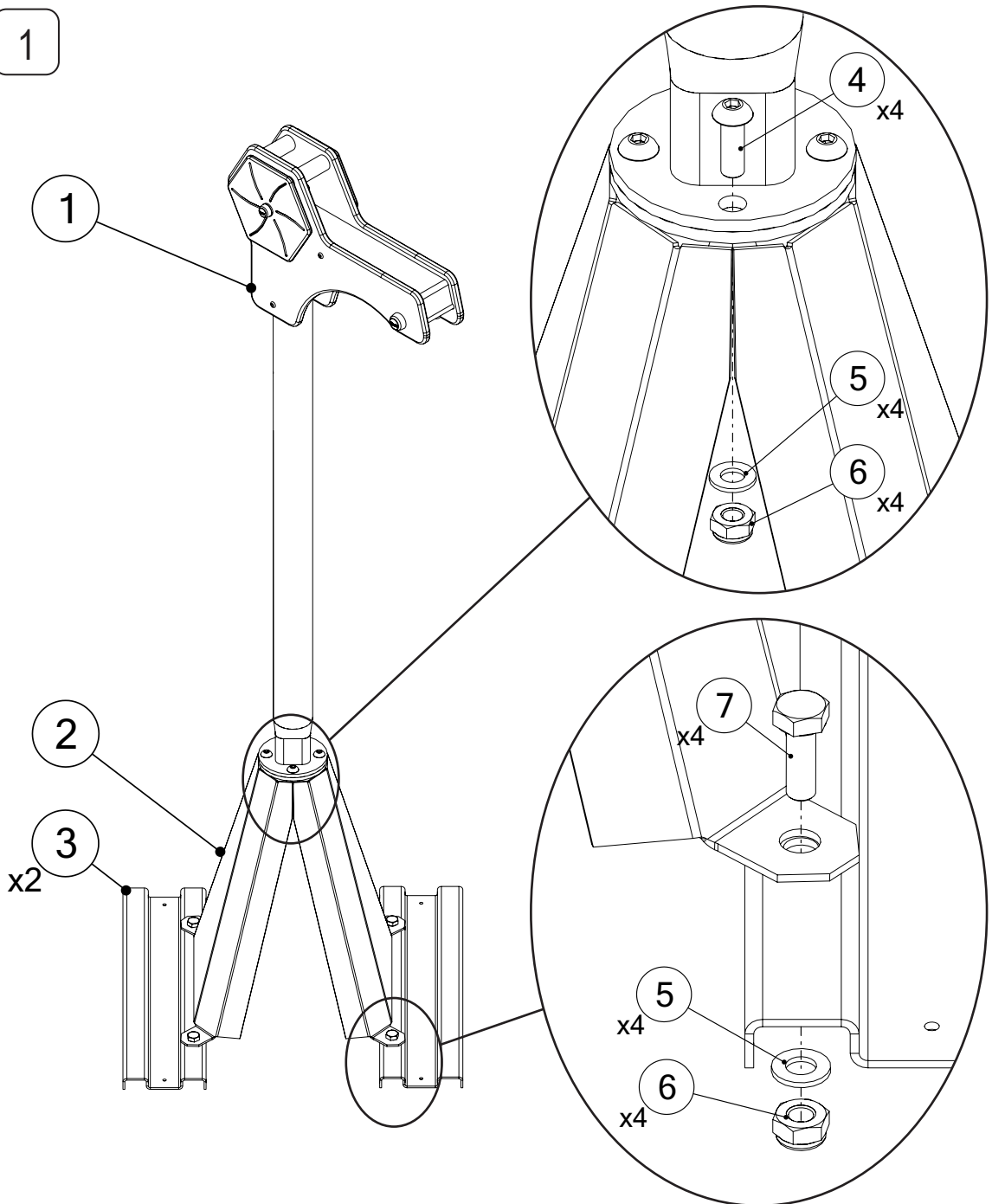
S



1	SW108772		1 x 1098 x 440 x 142 mm	9.99 kg
2	SW111066		1 x 425x425x417mm	6.49 kg
3	SW111313		2 x 500x121x21 mm	2.2 kg
4	8107742		4 x ISO7380-1-M10x30-A2.70	0.025 kg
5	8107741		8 x DIN125-10.5x20x2-A2	0.004 kg
6	8111420		8 x (DIN985) ISO10511-M10-A2	0.014 kg
7	8100824		4 x ISO4017- M10x30_A2	0.001 kg



1



2

