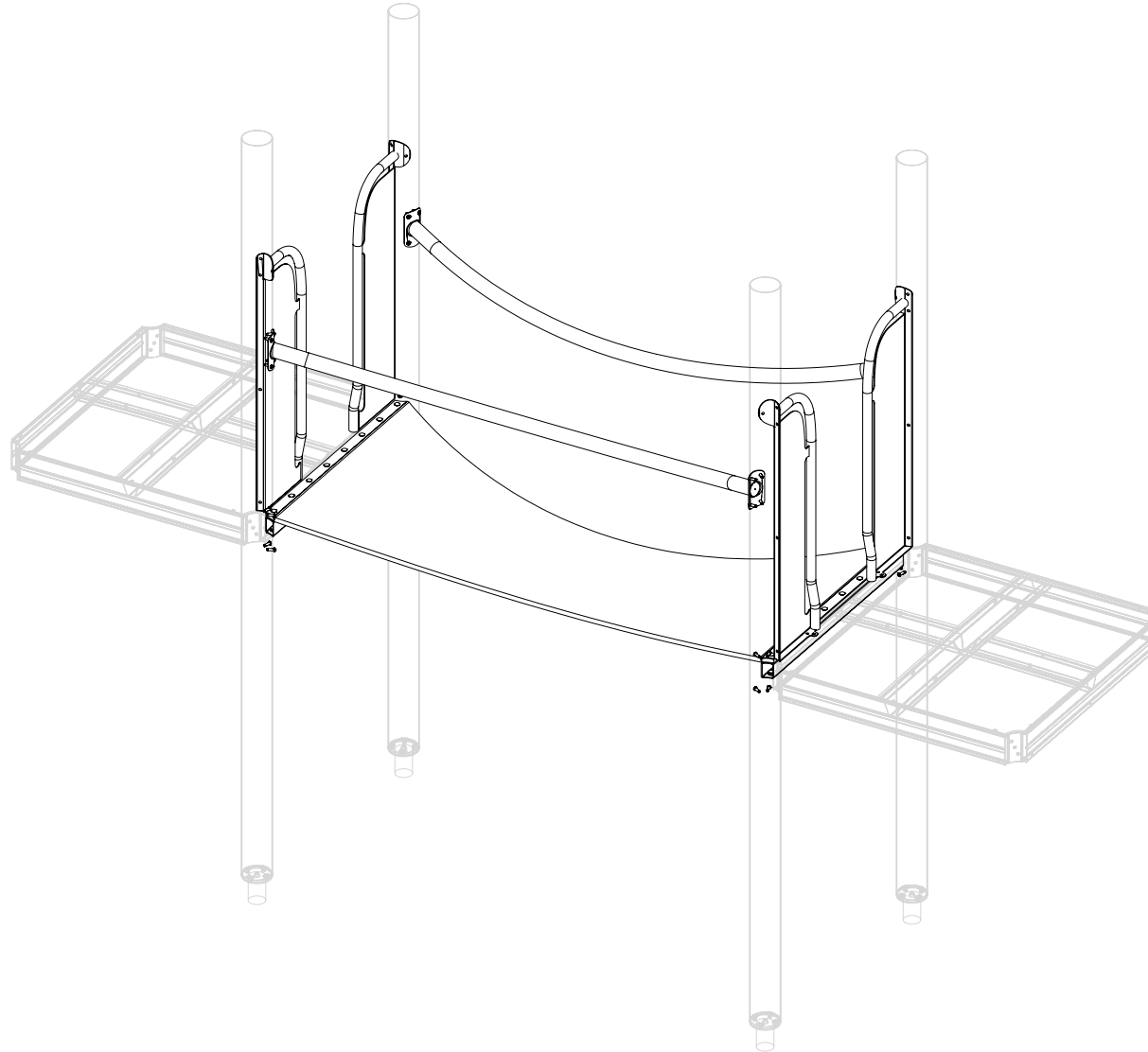
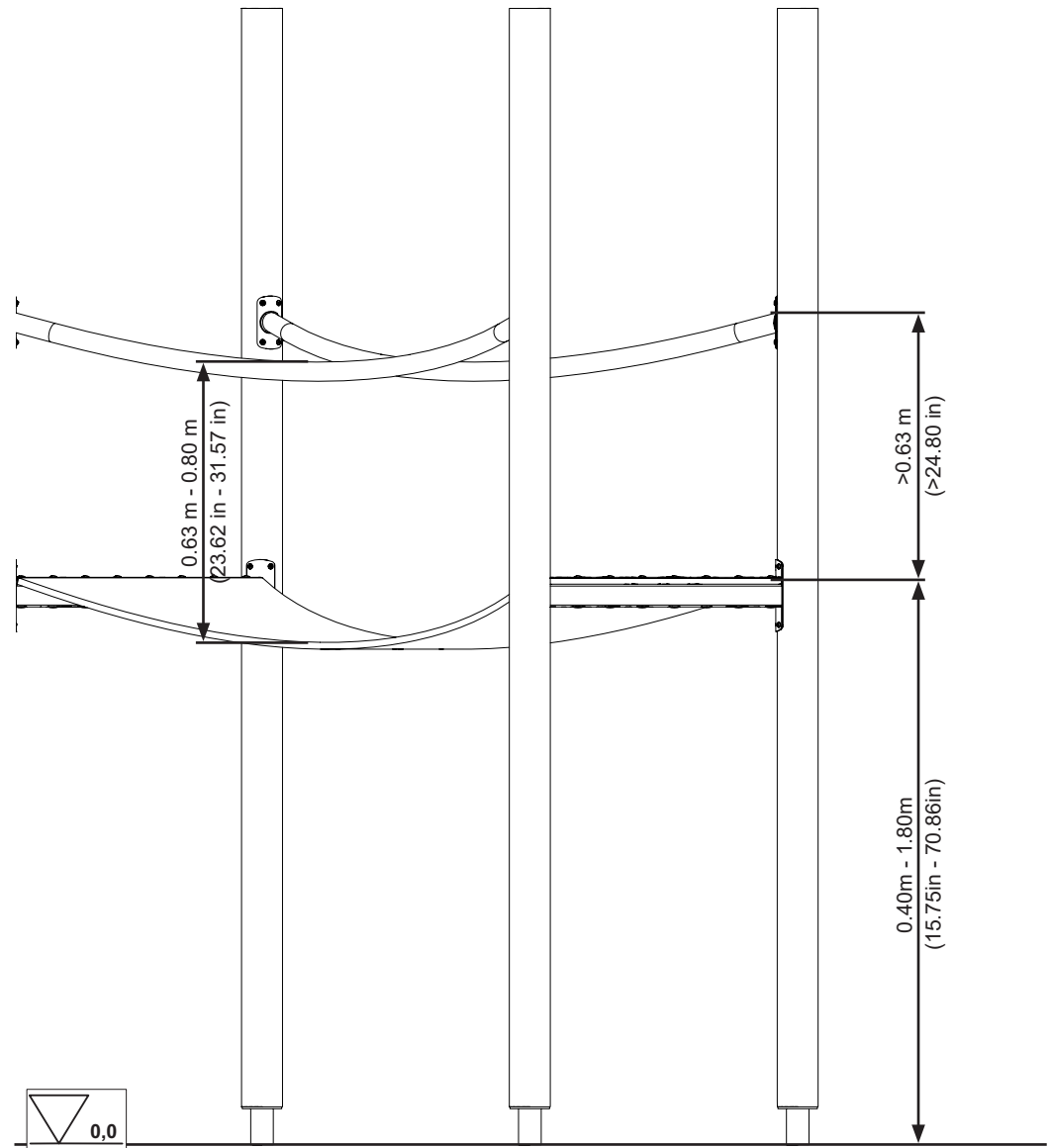
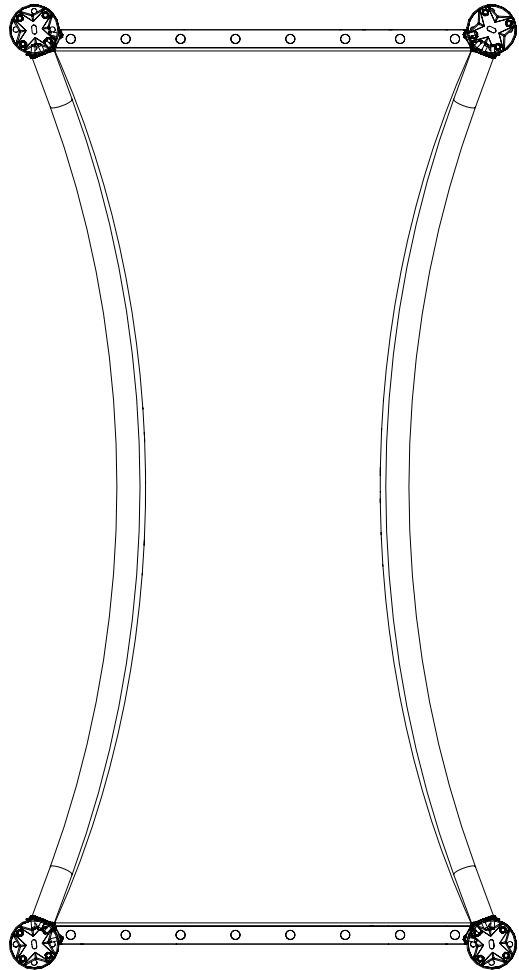


HAGS[®]

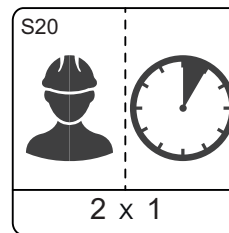
UniPlay Wobble Bridge

MAUSW67845







WOODEN POSTS




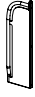
1	SW69163		2x 1942x249x225mm	7.41kg
---	---------	--	-------------------	--------

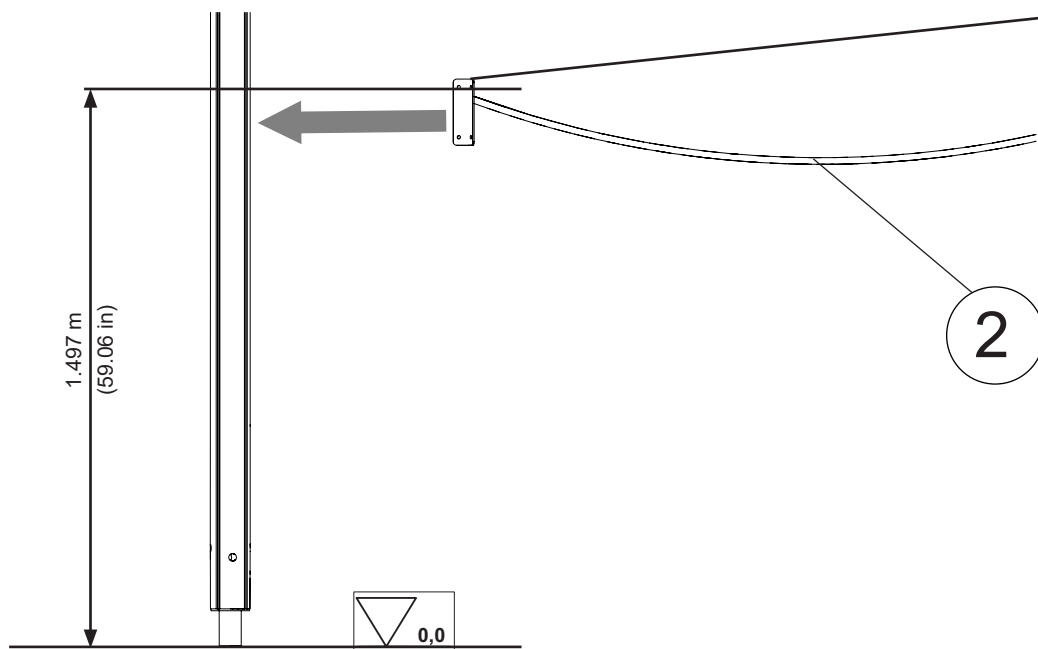
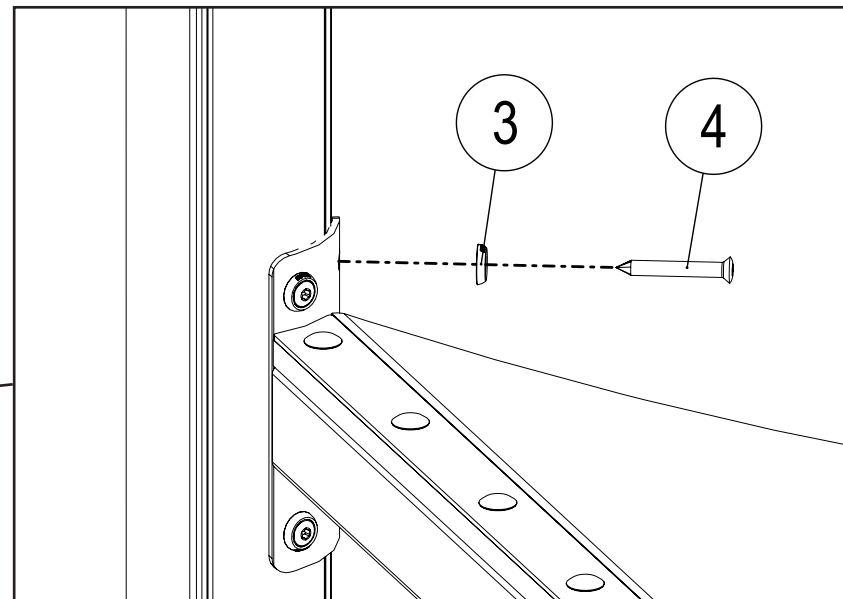
2	SW67092		1x 2040x1000x214mm	35.54kg
---	---------	---	--------------------	---------

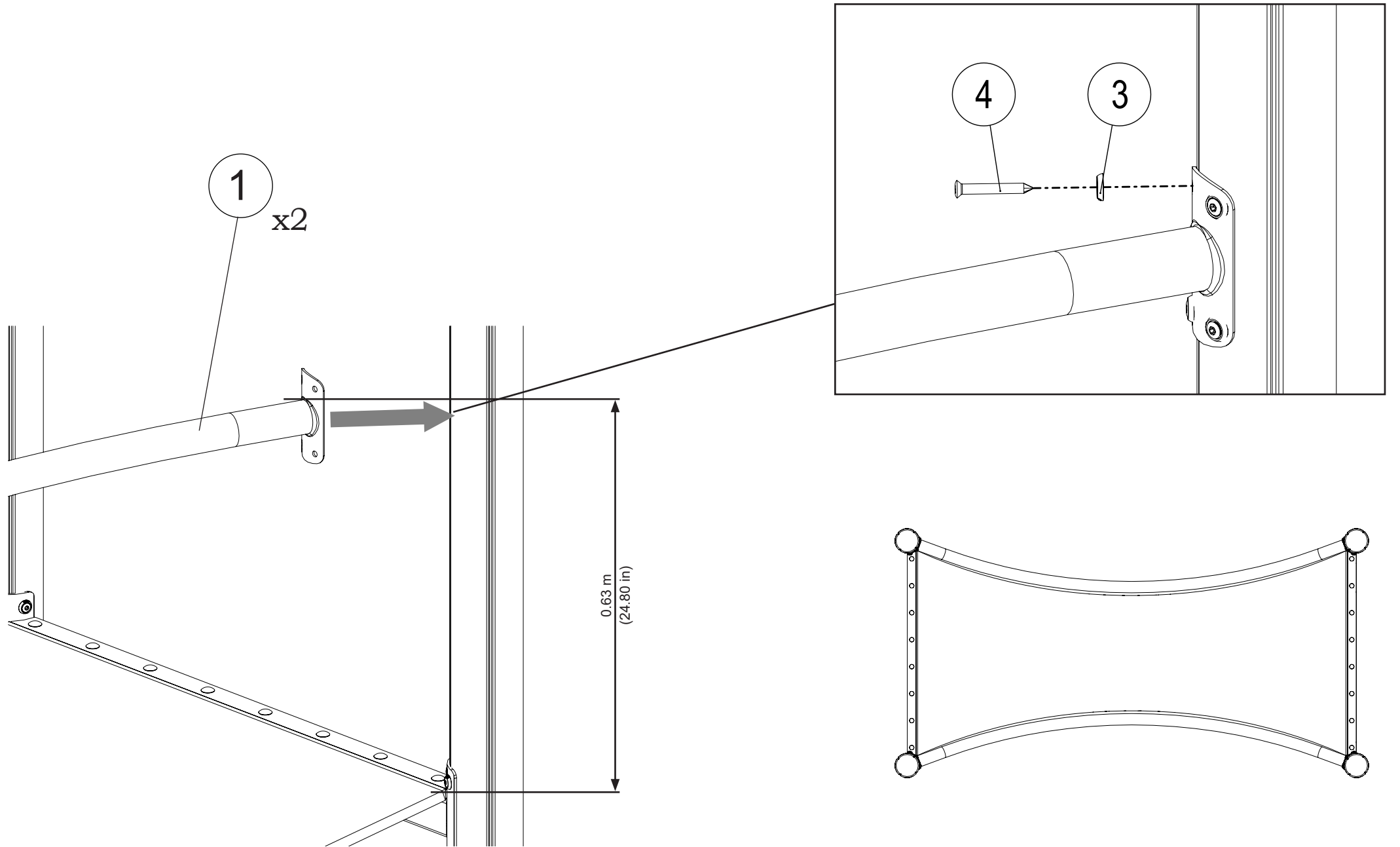
3	SW33168		32x Ø21.4 x Ø11 x 4,7 mm	0.0kg
---	---------	---	--------------------------	-------

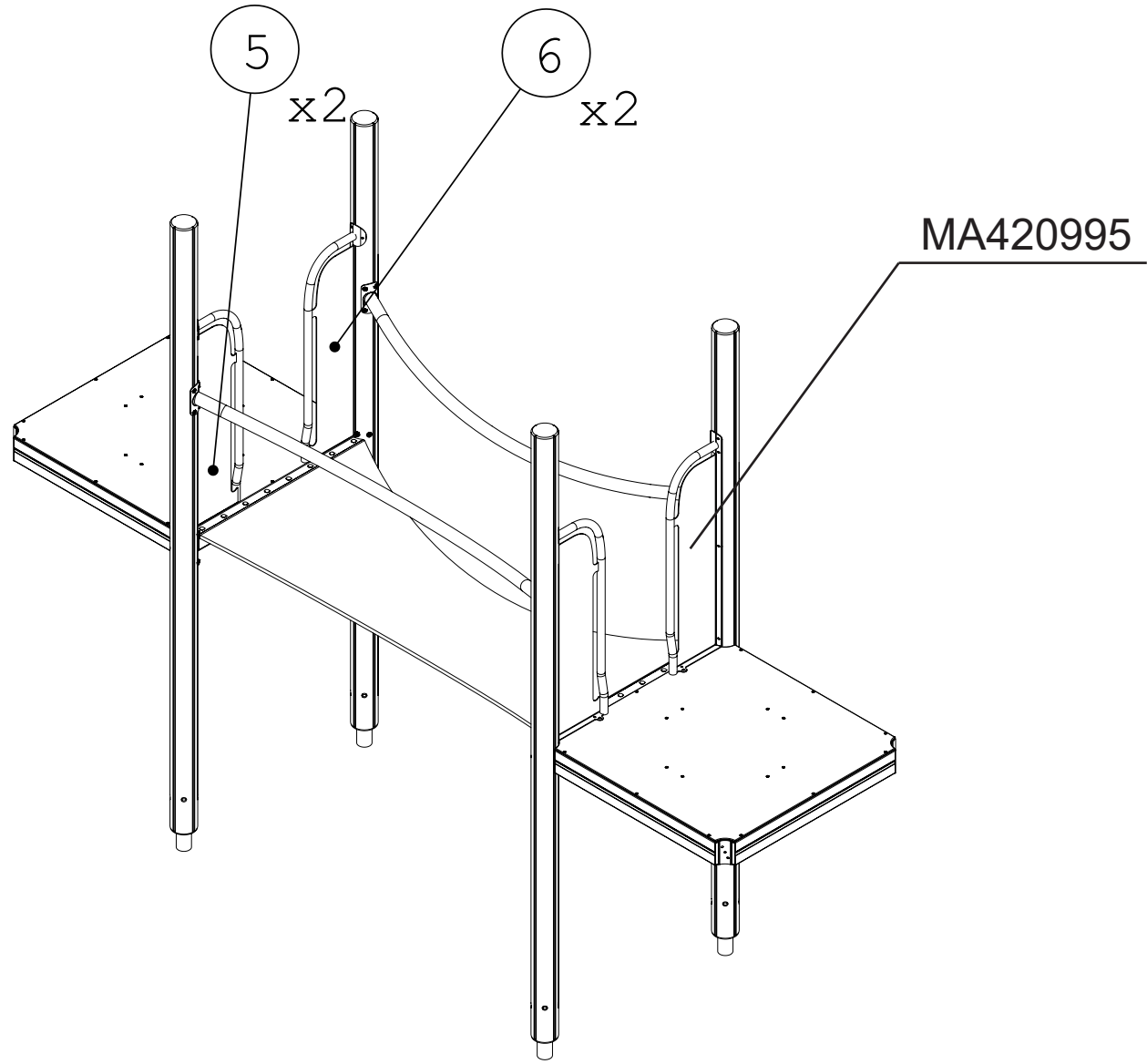
4	8008646		32x Screw, wood, TKFT-8x60-8.8	0.02kg
---	---------	---	--------------------------------	--------

5	31-07185		2x 1000x260 mm	6.98kg
---	----------	---	----------------	--------






6	31-07186		2x 1000x260 mm	6.99kg
---	----------	---	----------------	--------







STEEL POSTS

1	SW69163		2x 1942x249x225mm	7.41kg
2	SW67092		1x 2040x1000x214mm	35.54kg
3	8008506		32x Screw, thr-forming M8x25-8.8-(I-SO7380)	0.013kg
4	31-07185		2x 1000x260 mm	6.98kg
5	31-07186		2x 1000x260 mm	6.99kg

