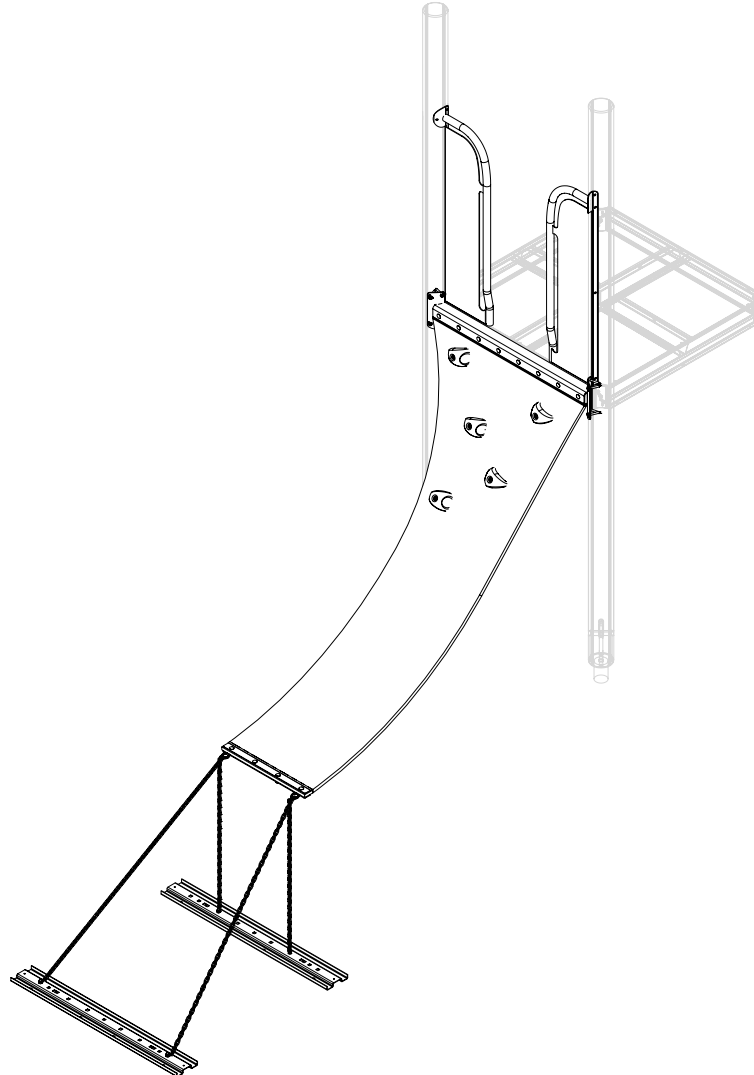


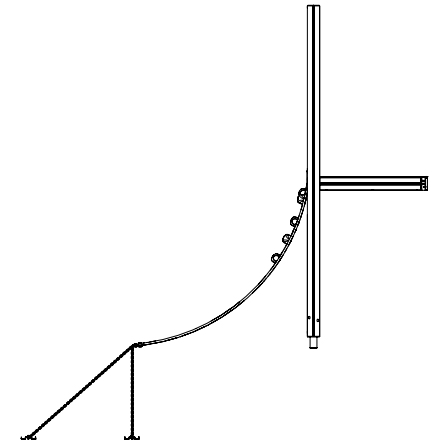
HAGS[®]




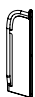


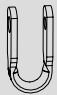





UniPlay Wobble Climb



MAUSW68252

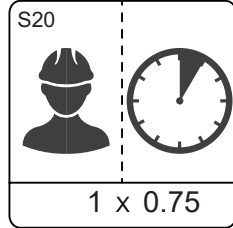


BM

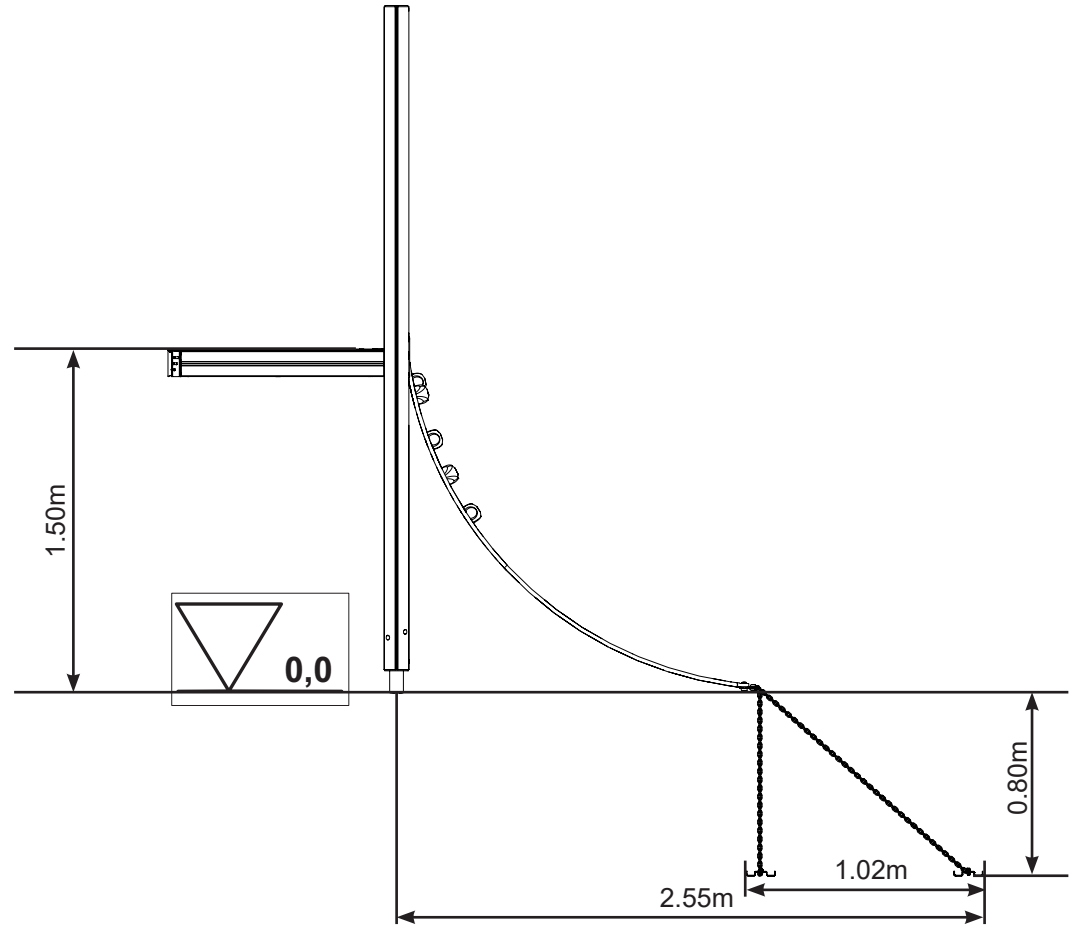


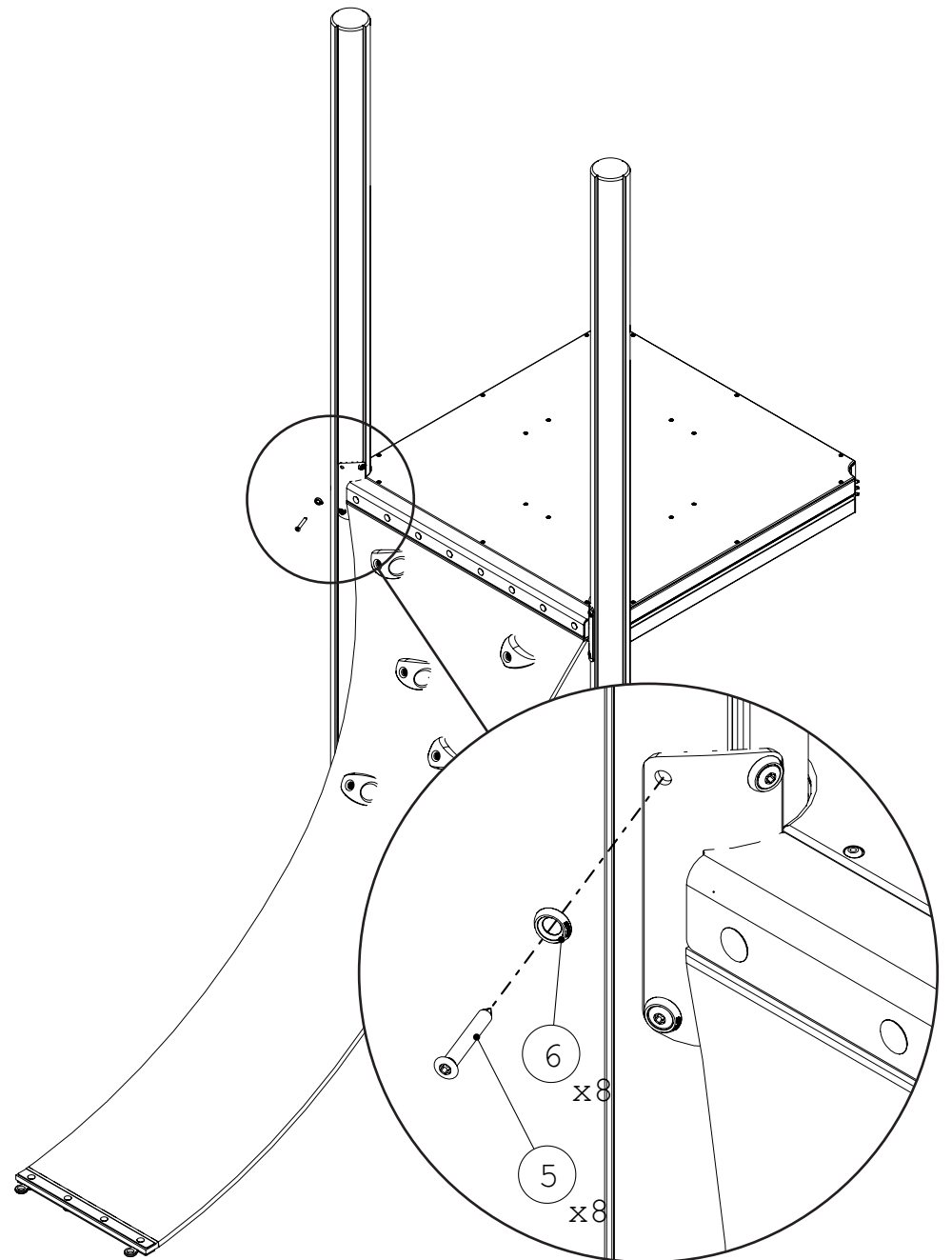
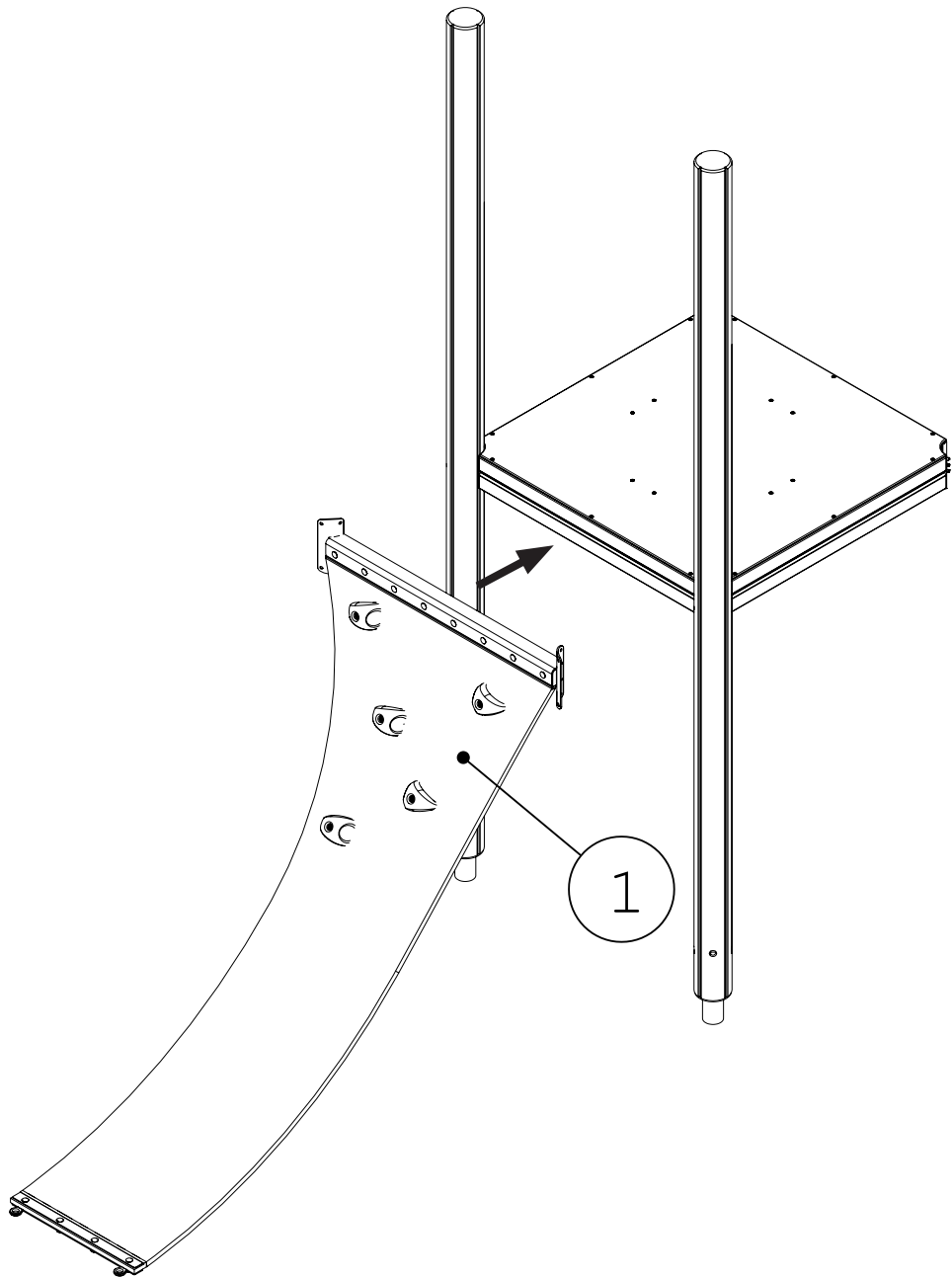
1	SW67093		1x 2578x1000x1500mm	39.45kg
2	33-05369		2x 1000x121x21 mm	3.5kg
3	31-07185		1x 1000x260 mm	6.98kg
4	31-07186		1x 1000x260 mm	6.99kg
5	8008646		8x Screw, wood, TKFT-8x60-8.8	0.02kg
6	SW33168		8x Ø21.4 x Ø11 x 4,7 mm	0.0kg
7	43-06413		2x SCH 40x17 mm	0.01kg
8	31-02551		4x Cap M6, Ø26x14 mm	0.00kg
9	SW60093		4x Cover M6, Ø16x8 mm	0.00kg
10	8008330		2x Screw, ISO4017-M6x20-8.8	0.0071kg
11	8008344		4x Screw, ISO4017-M8x25-8.8	0.0158kg
12	8008849		8x Washer, Bolt cap 9x18x2-ISO4759-3-C	0.003kg

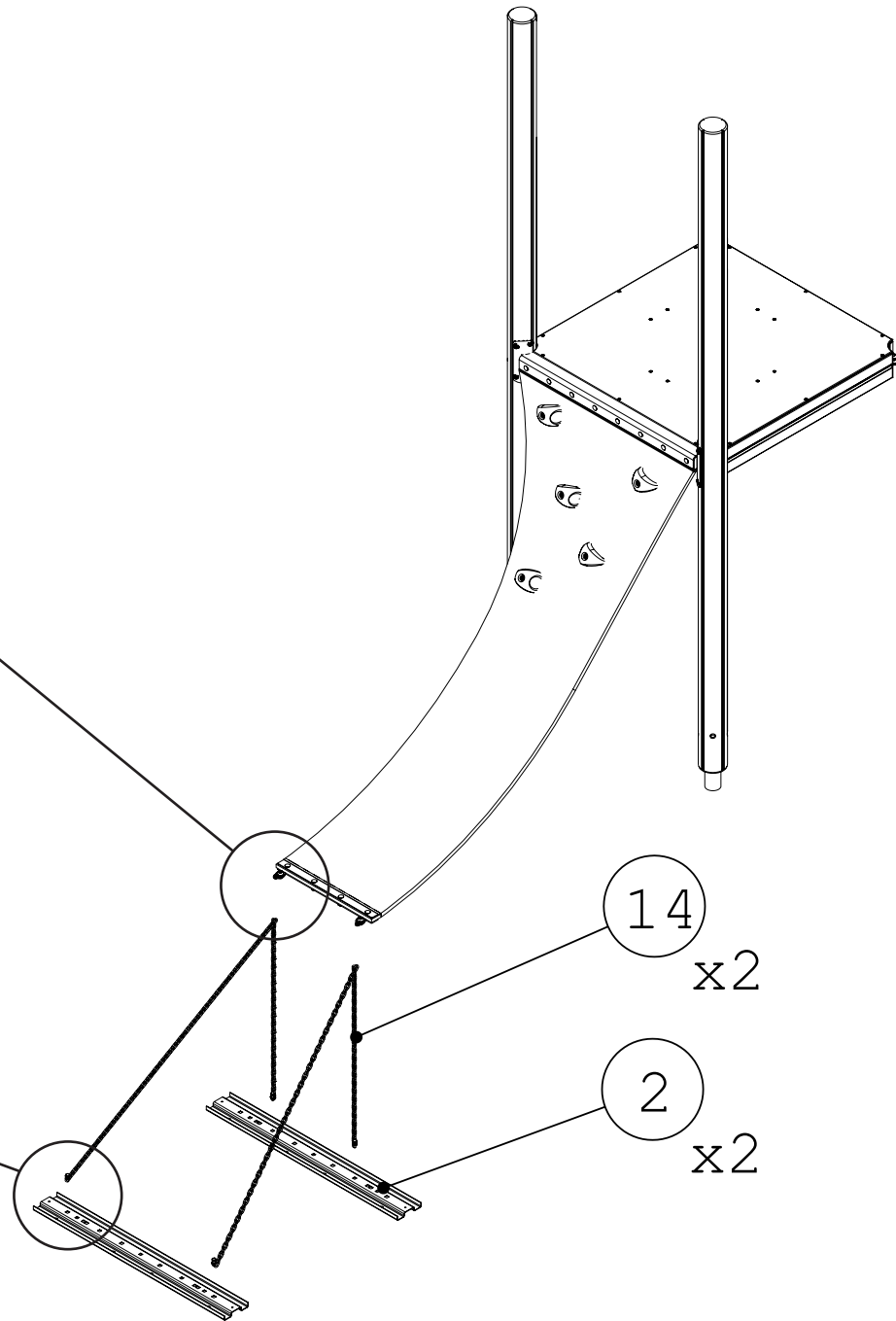
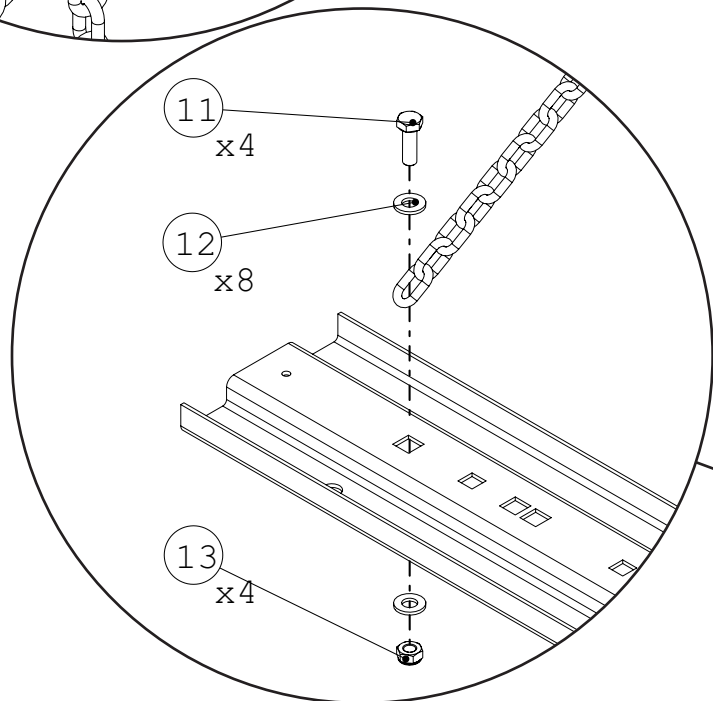
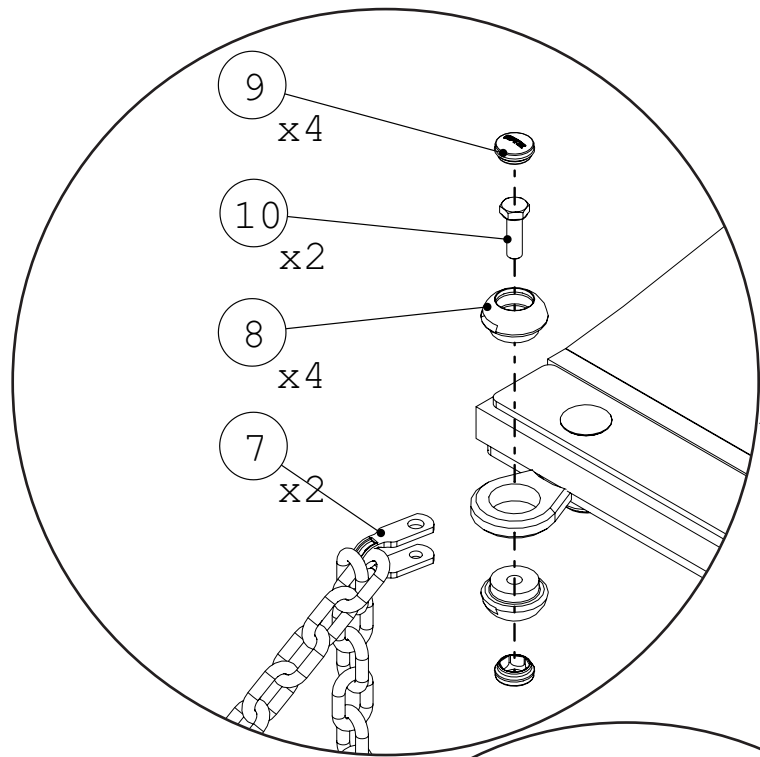
13	8008795		4x Nut, Fujilok-M8-8-RingA2	0.006kg
14	SW68646		2x Chain 5mm, 111 links	1.06kg



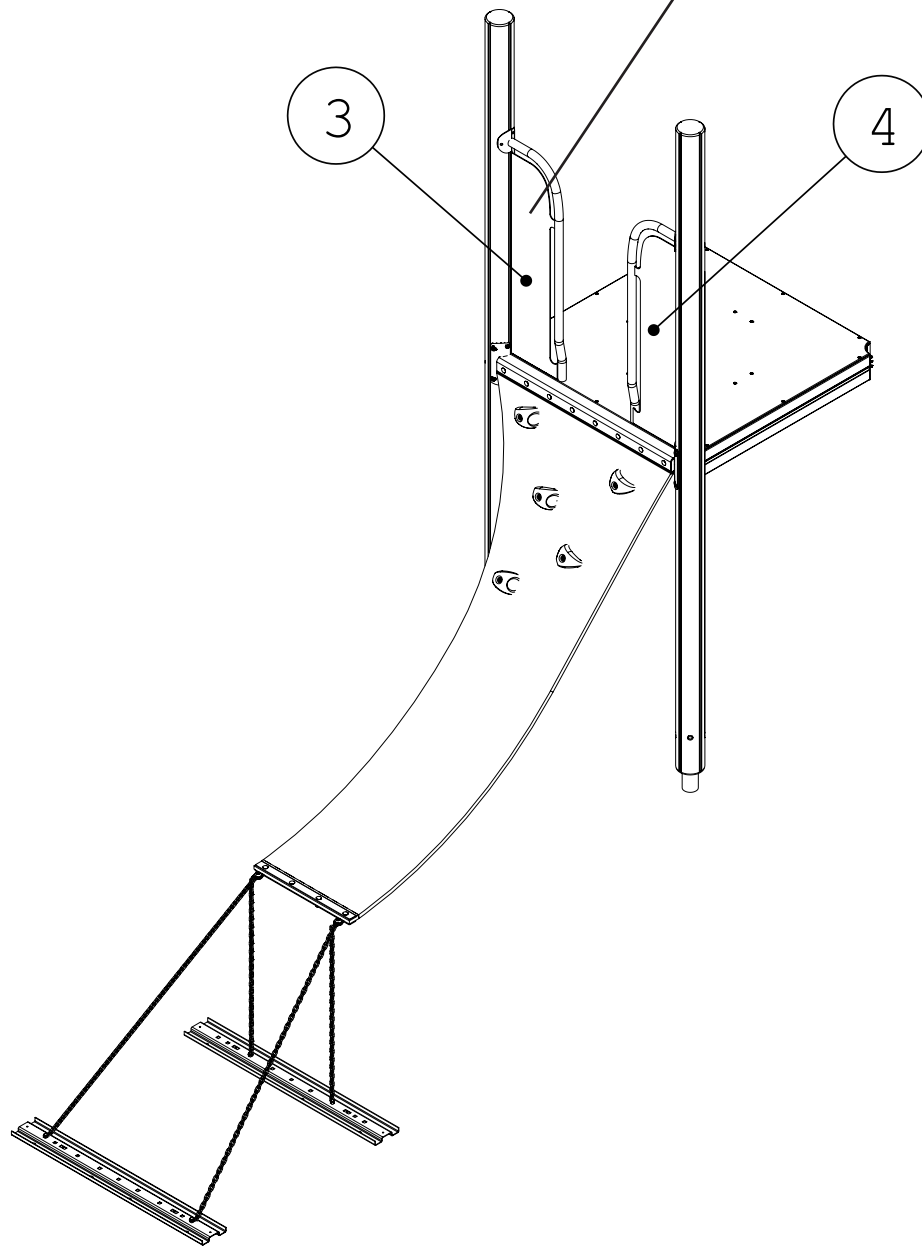
WOODEN POST










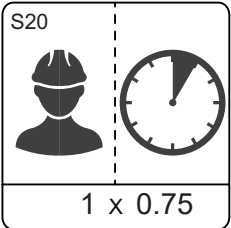
MA420995




1	SW67093		1x 2578x1000x1500mm	39.45kg
---	---------	--	---------------------	---------

13	8008795		4x Nut, Fujilok-M8-8-RingA2	0.006kg
----	---------	--	-----------------------------	---------

2	33-05369		2x 1000x121x21 mm	3.5kg
---	----------	---	-------------------	-------





STEEL POST

3	31-07185		1x 1000x260 mm	6.98kg
---	----------	---	----------------	--------


4	31-07186		1x 1000x260 mm	6.99kg
---	----------	---	----------------	--------


5	8008506		8x Screw, thr-forming M8x25-8.8-(I-SO7380)	0.013kg
---	---------	---	--	---------


6	SW68646		2x Chain 5mm, 111 links	1.06kg
---	---------	---	-------------------------	--------

7	43-06413		2x SCH 40x17 mm	0.01kg
---	----------	---	-----------------	--------

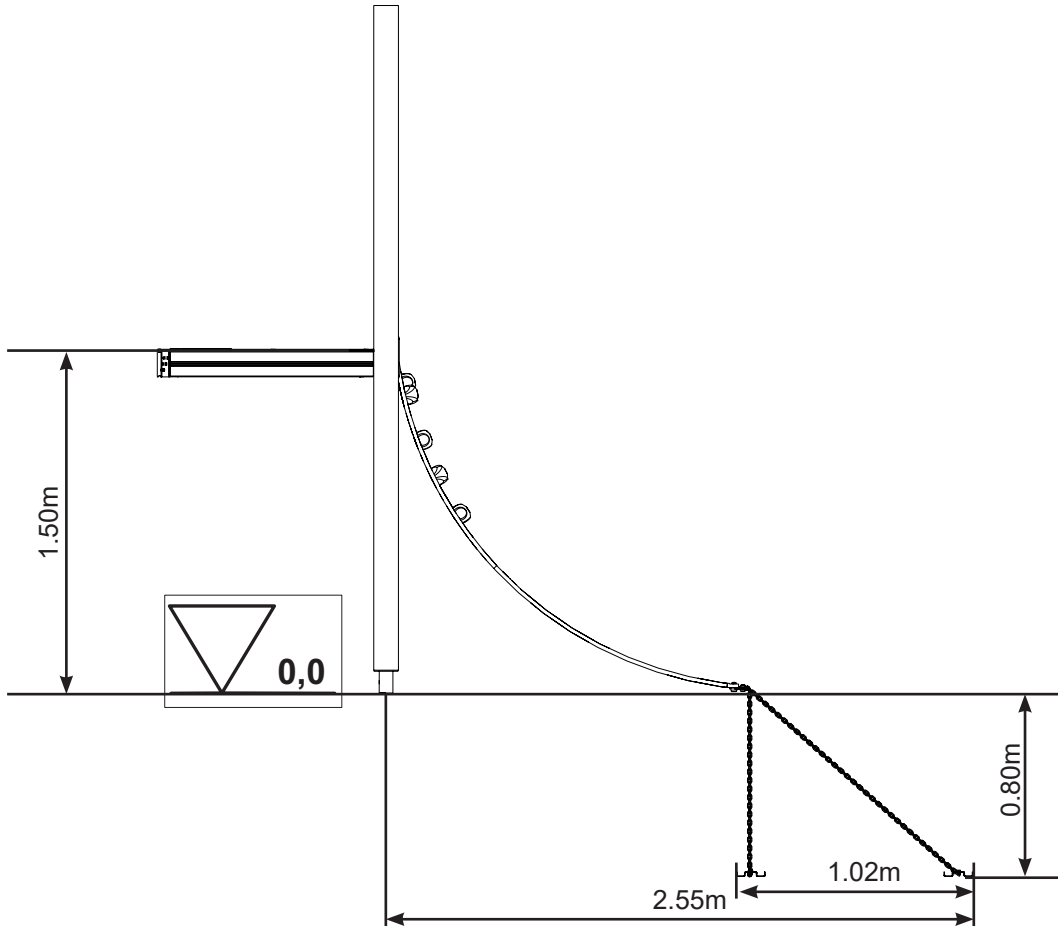
8	31-02551		4x Cap M6, Ø26x14 mm	0.00kg
---	----------	--	----------------------	--------

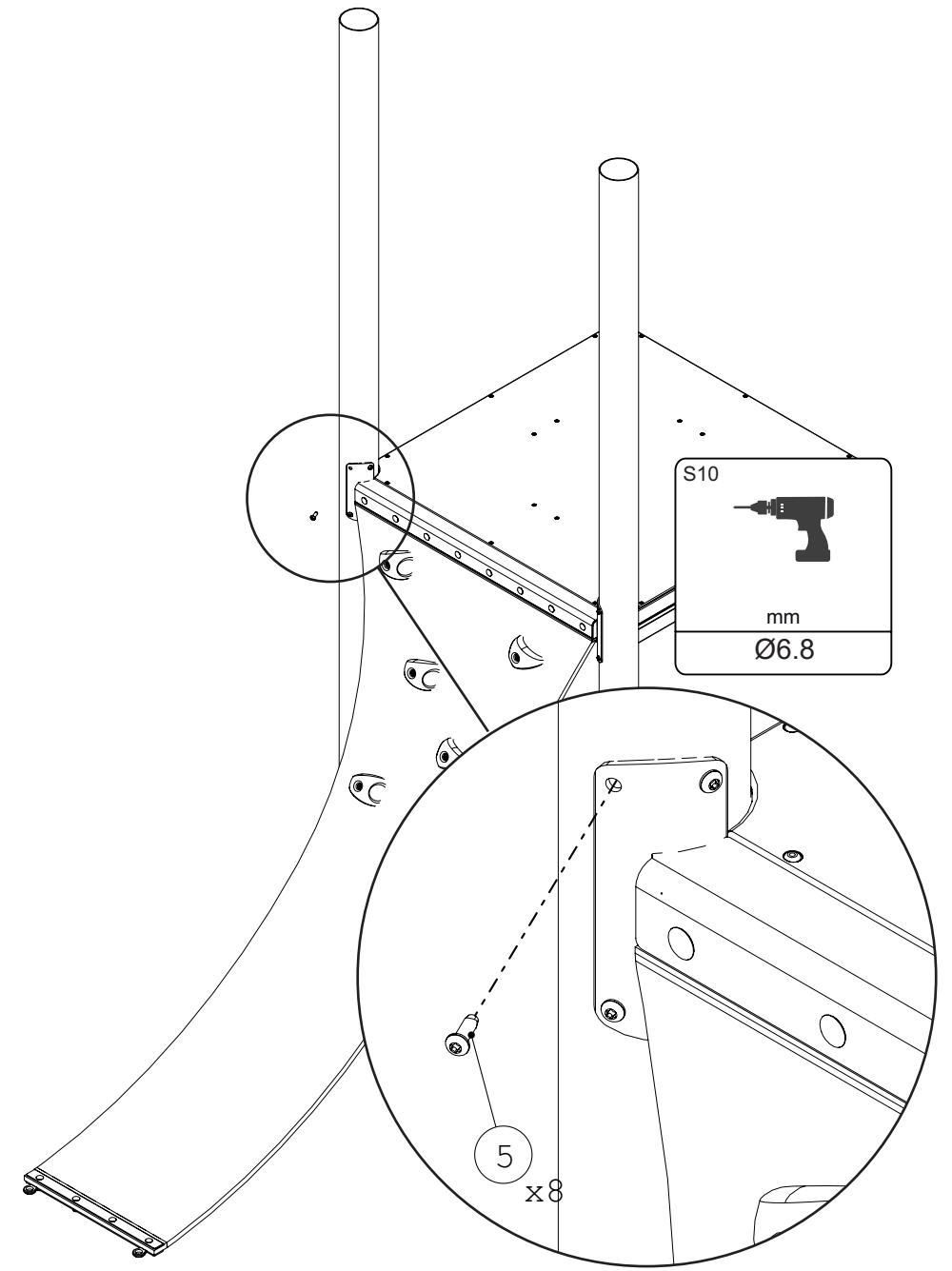
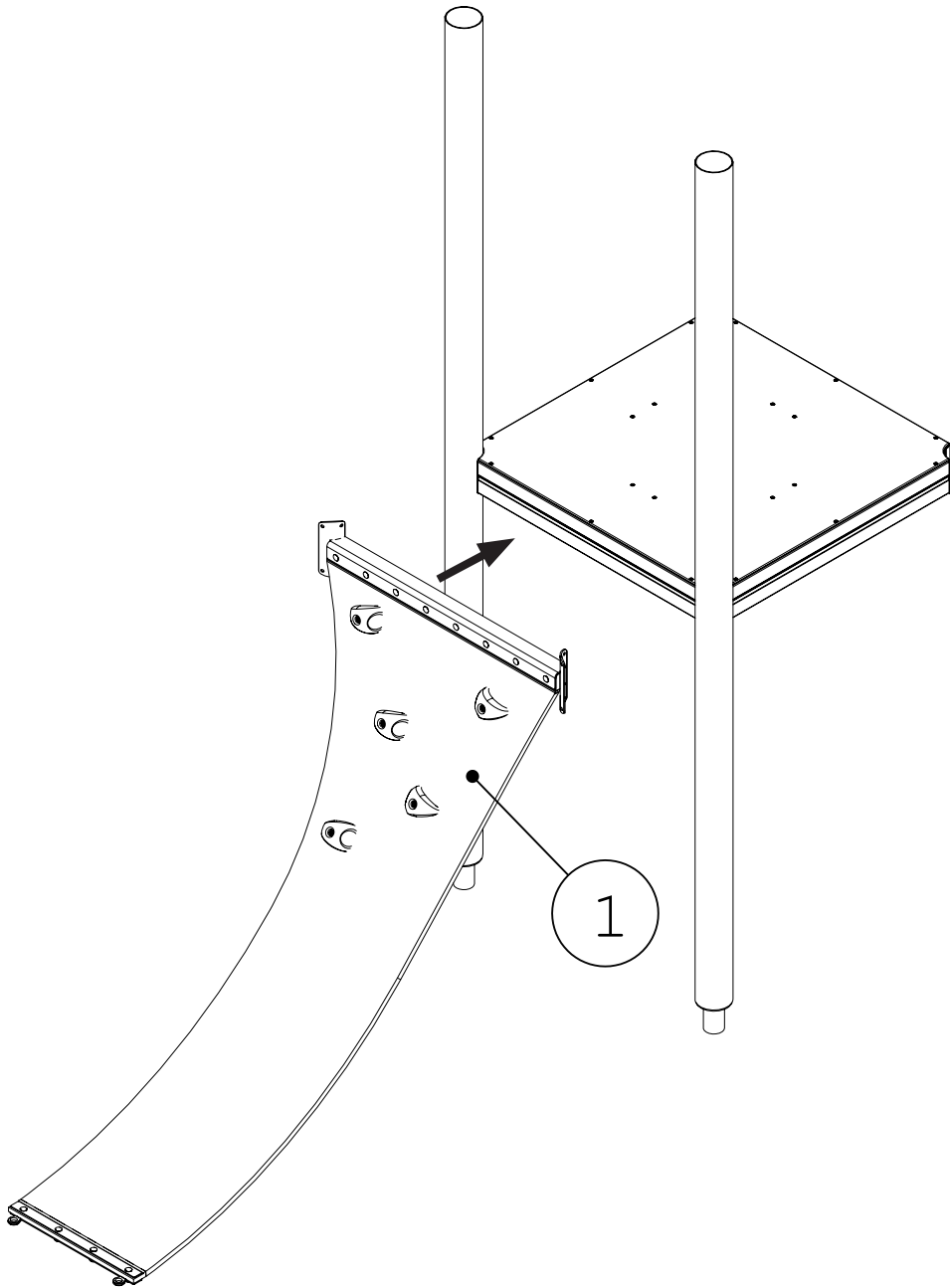
9	SW60093		4x Cover M6, Ø16x8 mm	0.00kg
---	---------	---	-----------------------	--------

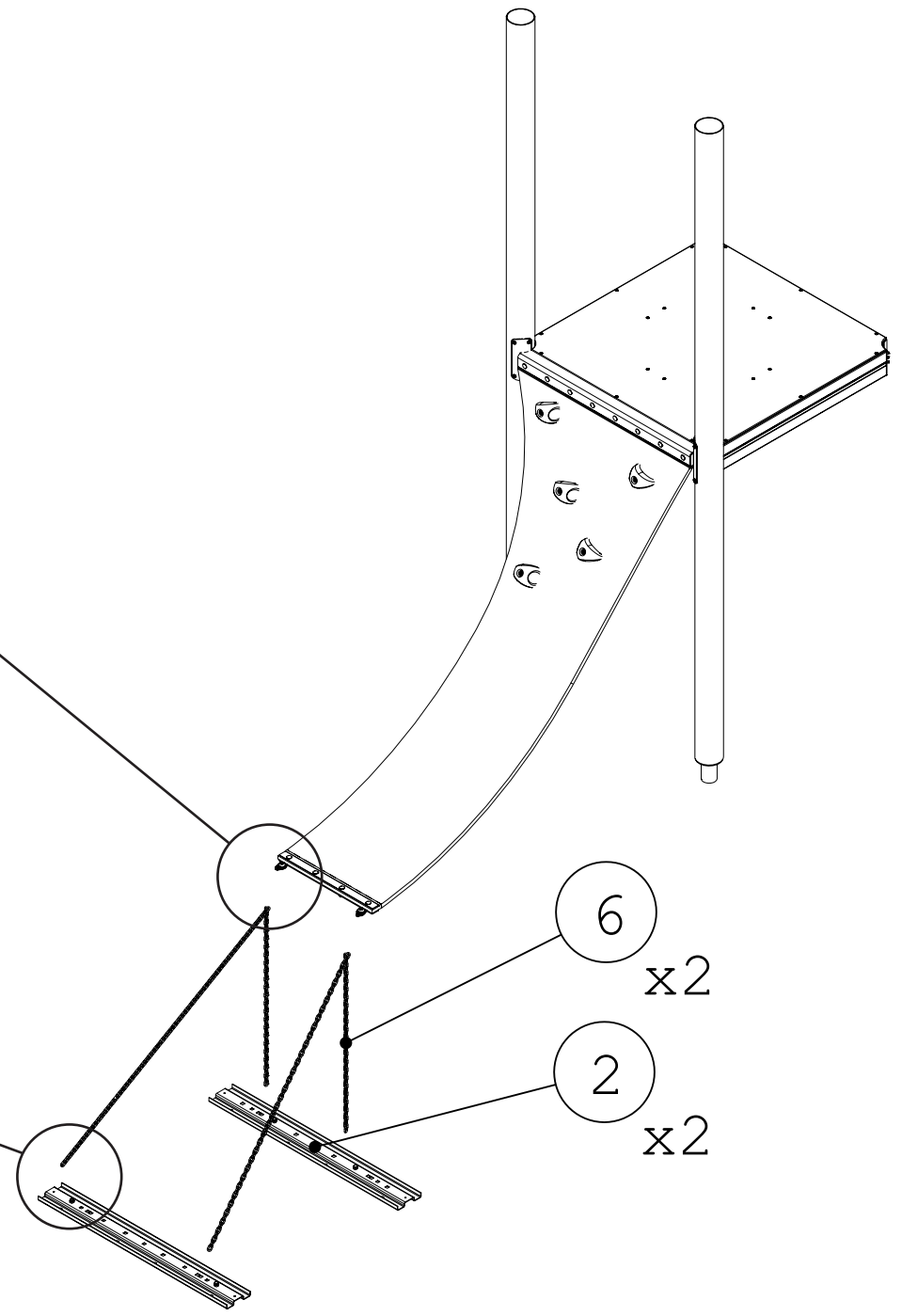
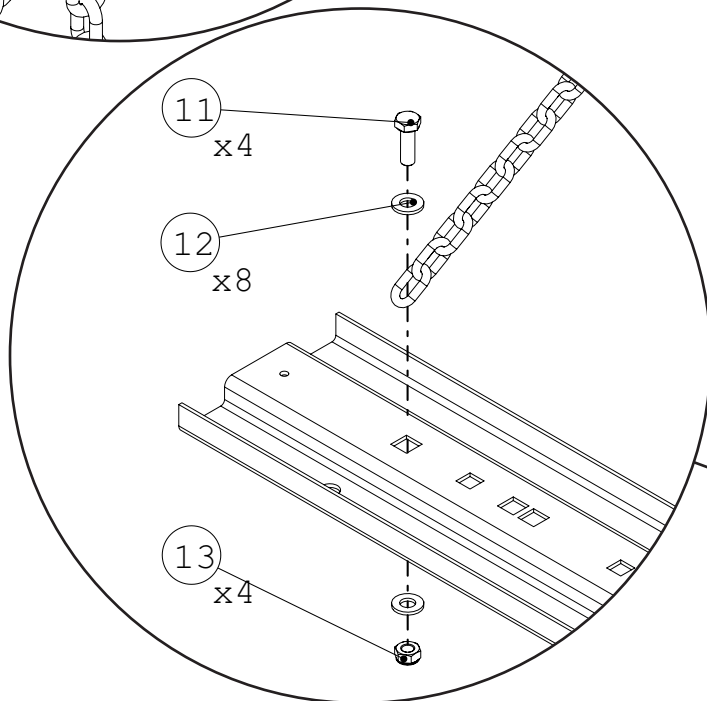
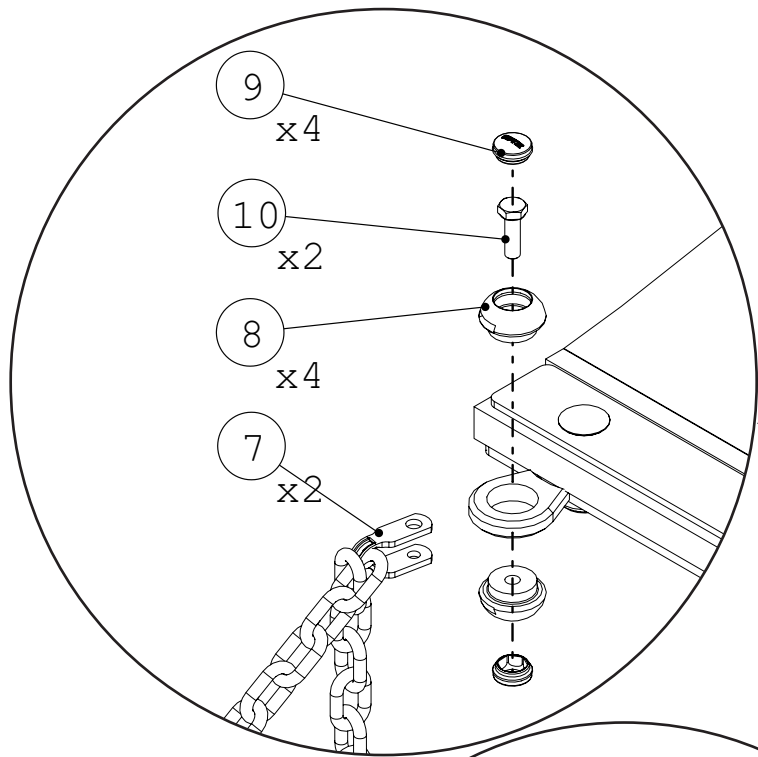
10	8008330		2x Screw, ISO4017-M6x20-8.8	0.0071kg
----	---------	---	-----------------------------	----------

11	8008344		4x Screw, ISO4017-M8x25-8.8	0.0158kg
----	---------	---	-----------------------------	----------

12	8008849		8x Washer, Bolt cap 9x18x2-ISO4759-3-C	0.003kg
----	---------	---	--	---------







MA420995

