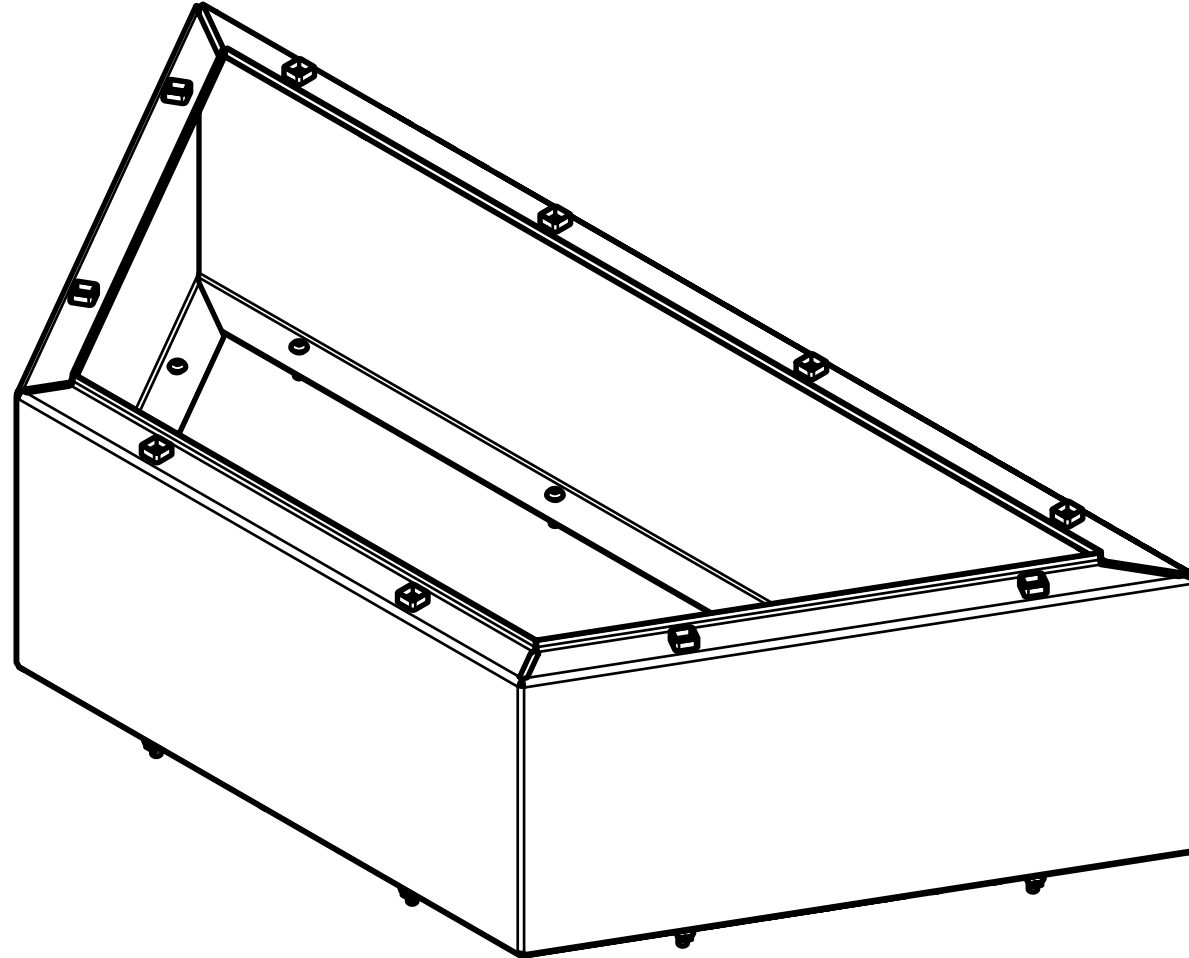
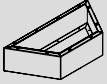

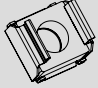


# HAGS<sup>®</sup>

## Half Hexagon Extension Module

MASW95499



1	SW95462		1x 1200 x 520 x 290	21.34kg
2	8008445		10x Screw, ISO7380-1-M8x30-10.9	0.02kg
3	8008813		10x Nut, cage M8-t=1.8-3.2	0.02kg

