

**OM**



1 SW89445



1x 1760 x 393 x 45

11.20kg

2 8008561



4x M10x86 HDG

0.04kg

S17



S18



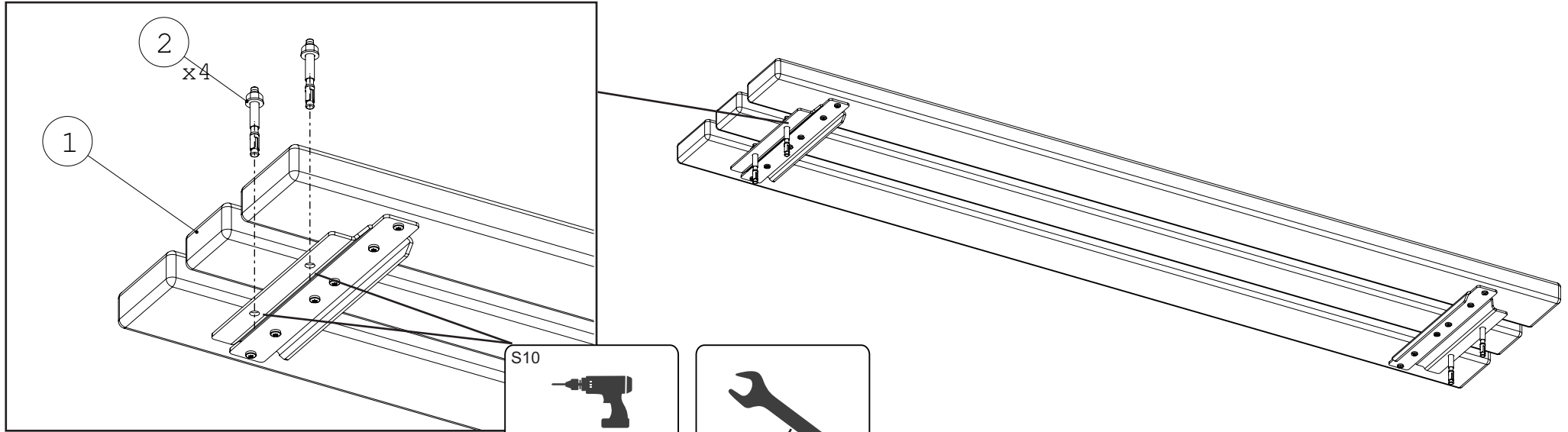
S19



S20



1 x 0,5



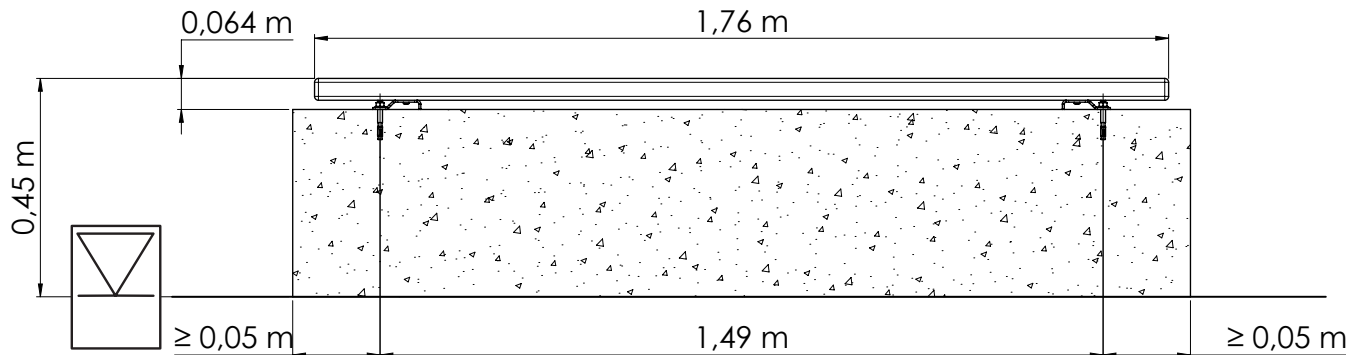
S10



mm  
Ø10 x 70



30 Nm



S25



C ≥ 20/25

