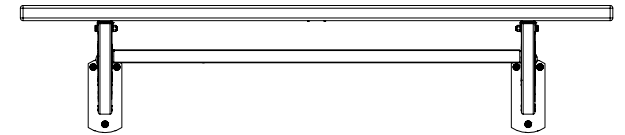

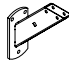
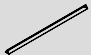





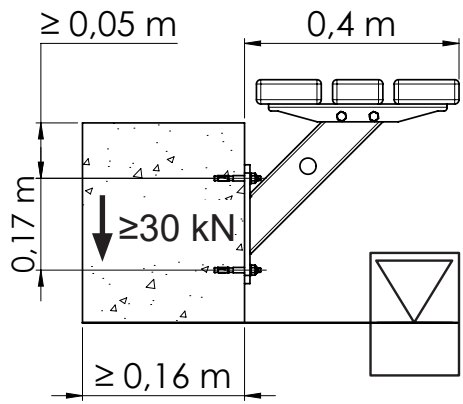
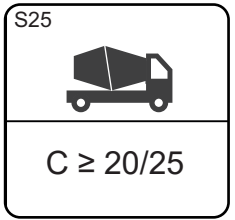
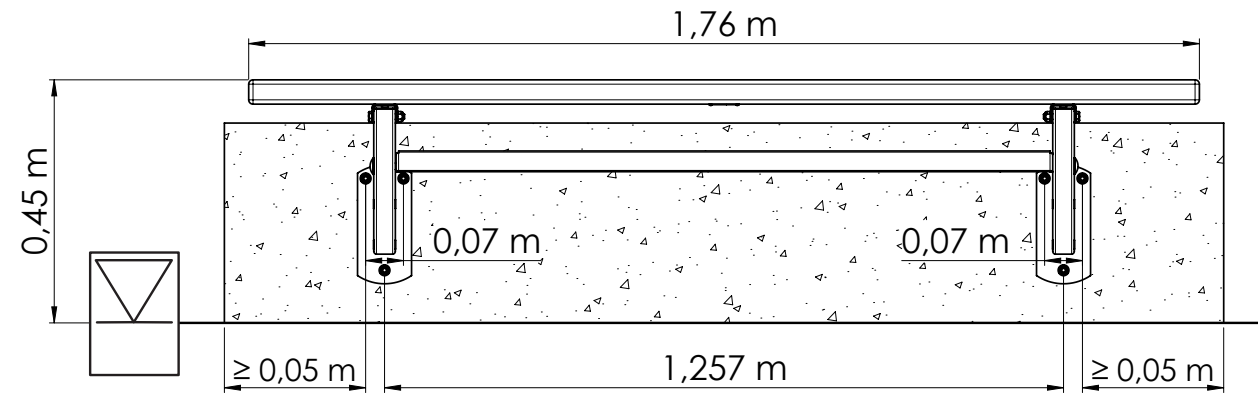
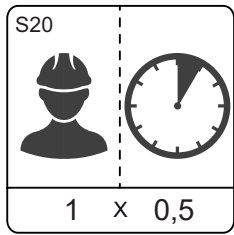
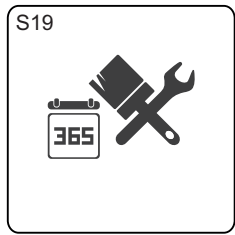
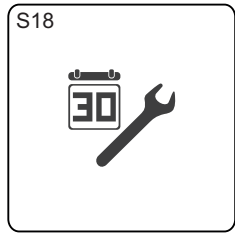
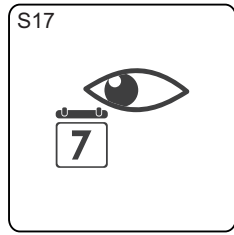
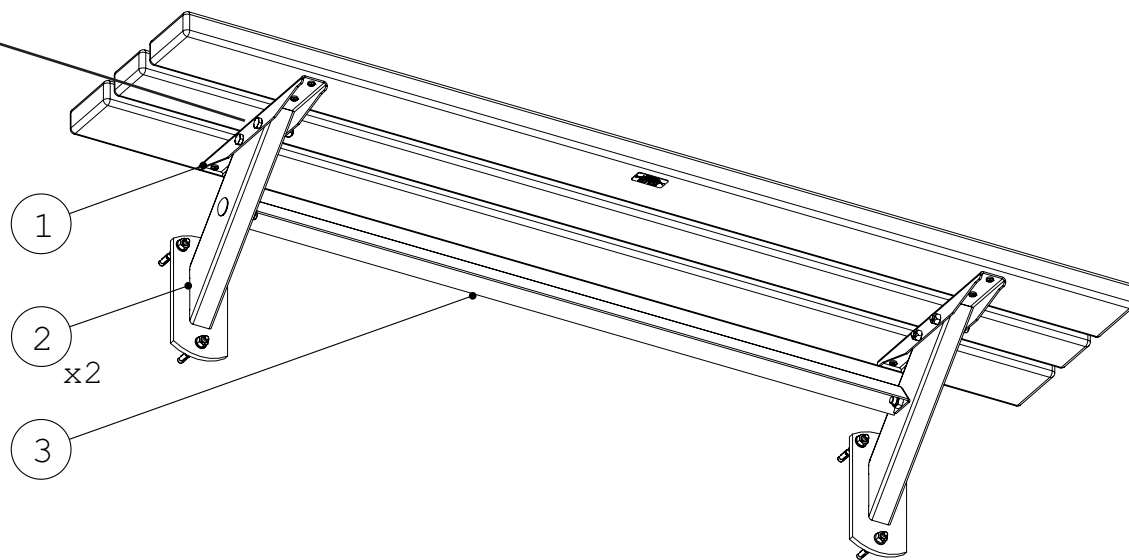
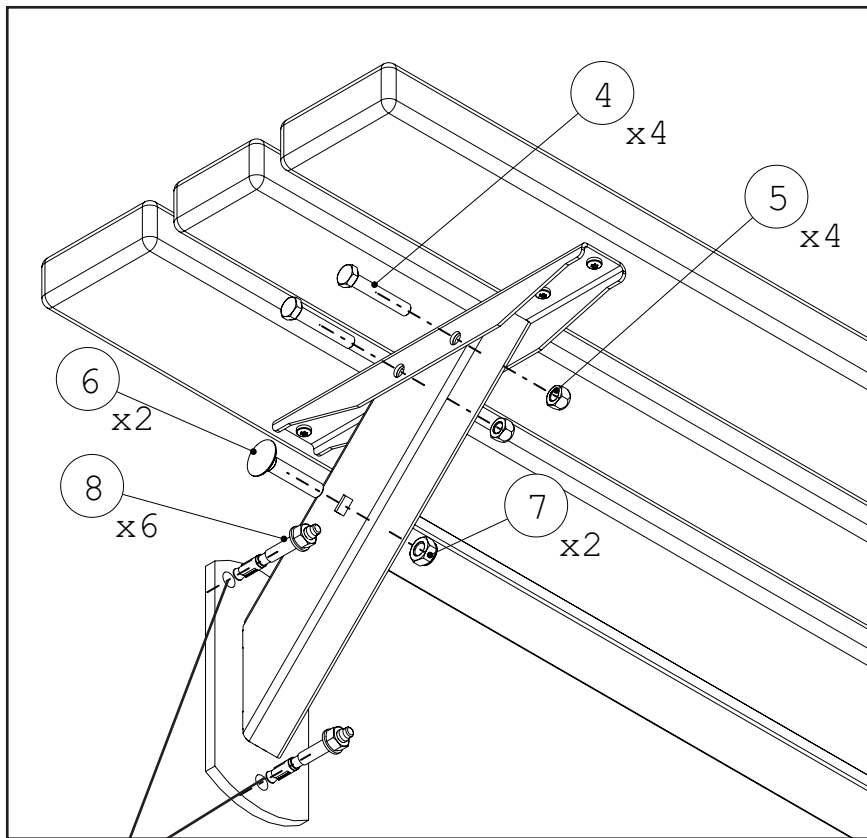


OM



1	SW26564		1x 1760 x 375 x 78	10.36kg
2	SW95355		2x 393 x 370 x 70	2.62kg
3	SW26669		1x 1216 x 56	4.32kg
4	8008383		4x ISO4014-M10x60-8.8	0.05kg
5	8042810		4x ISO7042-M10-8	0.01kg
6	8037113		2x ISO8677-M12x60-8.8	0.08kg
7	8008797		2x M12-8-RingA2	0.02kg
8	8008561		6x M10x86 HDG	0.04kg





S10

mm

Ø10 x 70

30 Nm