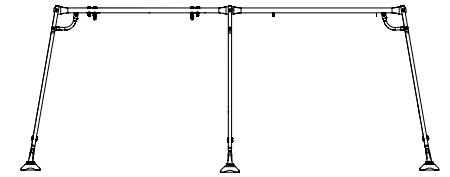








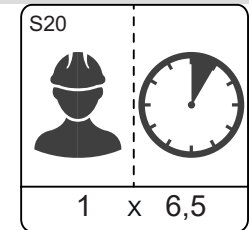
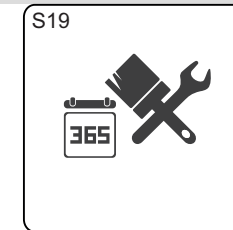
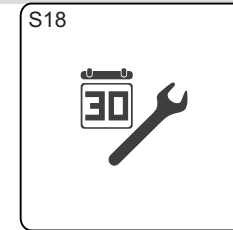
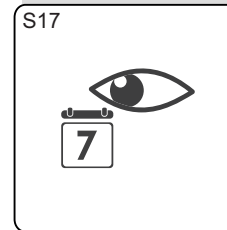


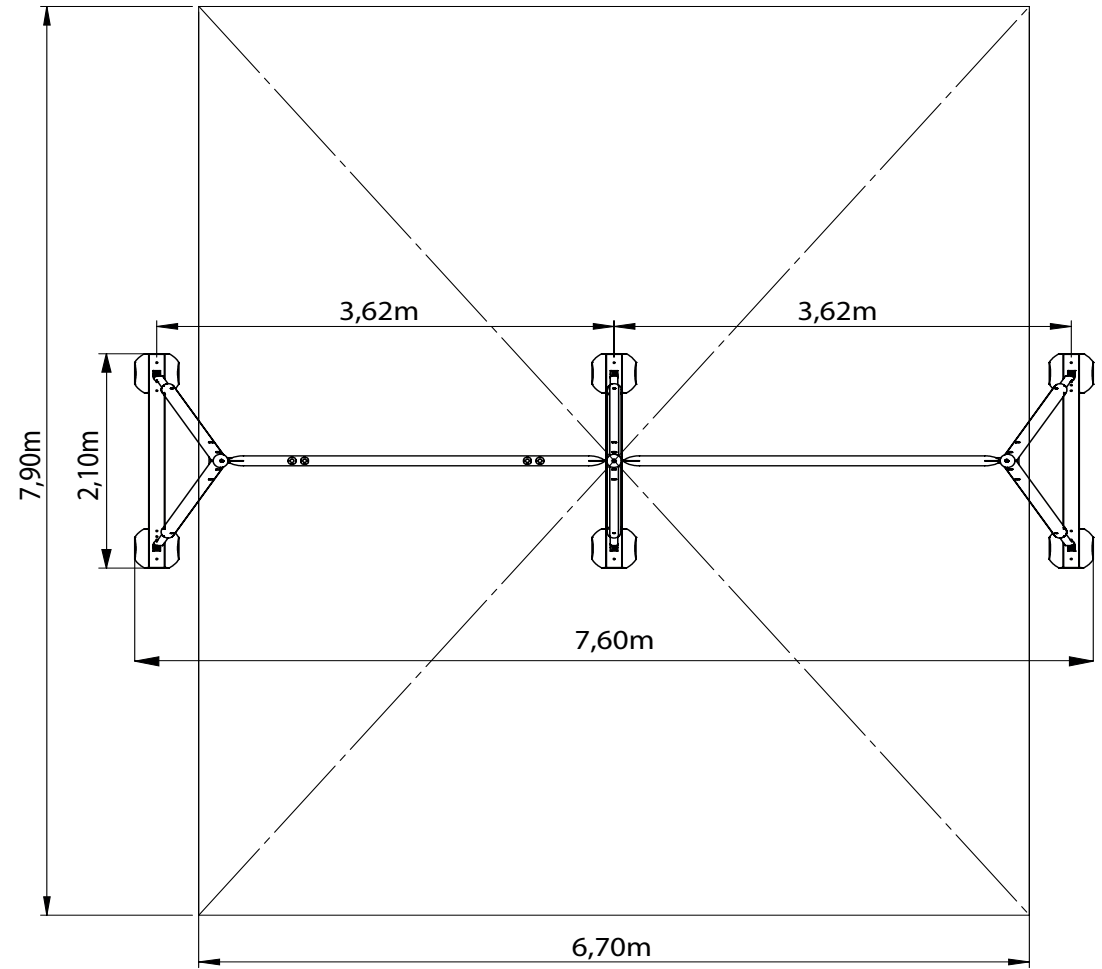
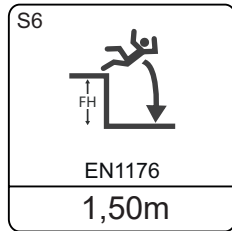
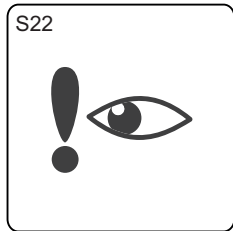
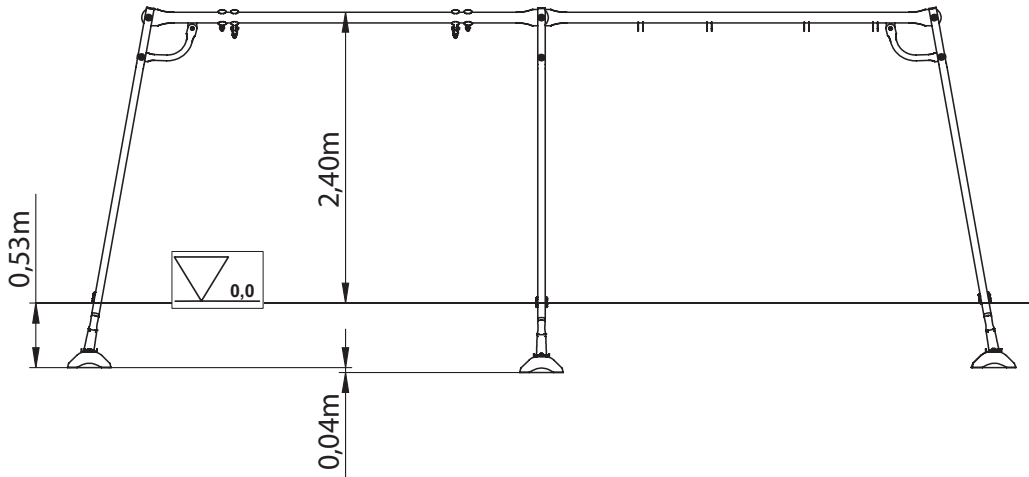
S

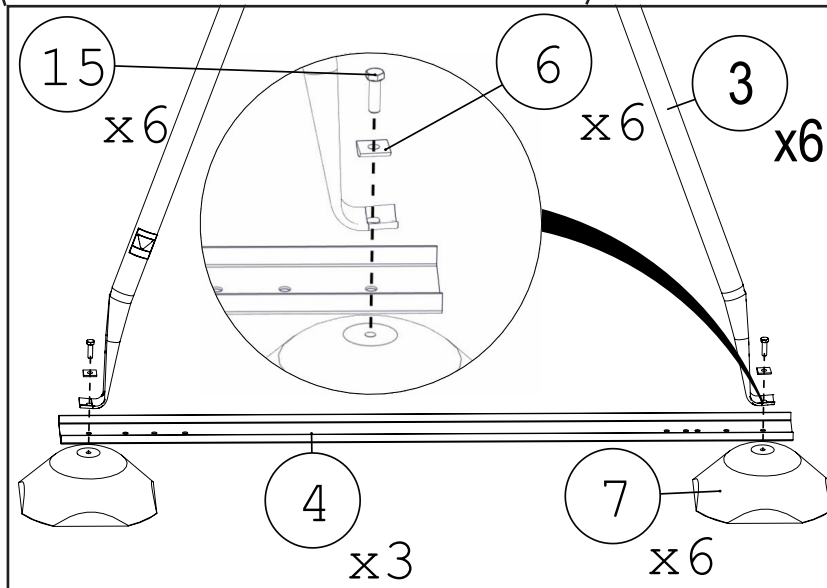
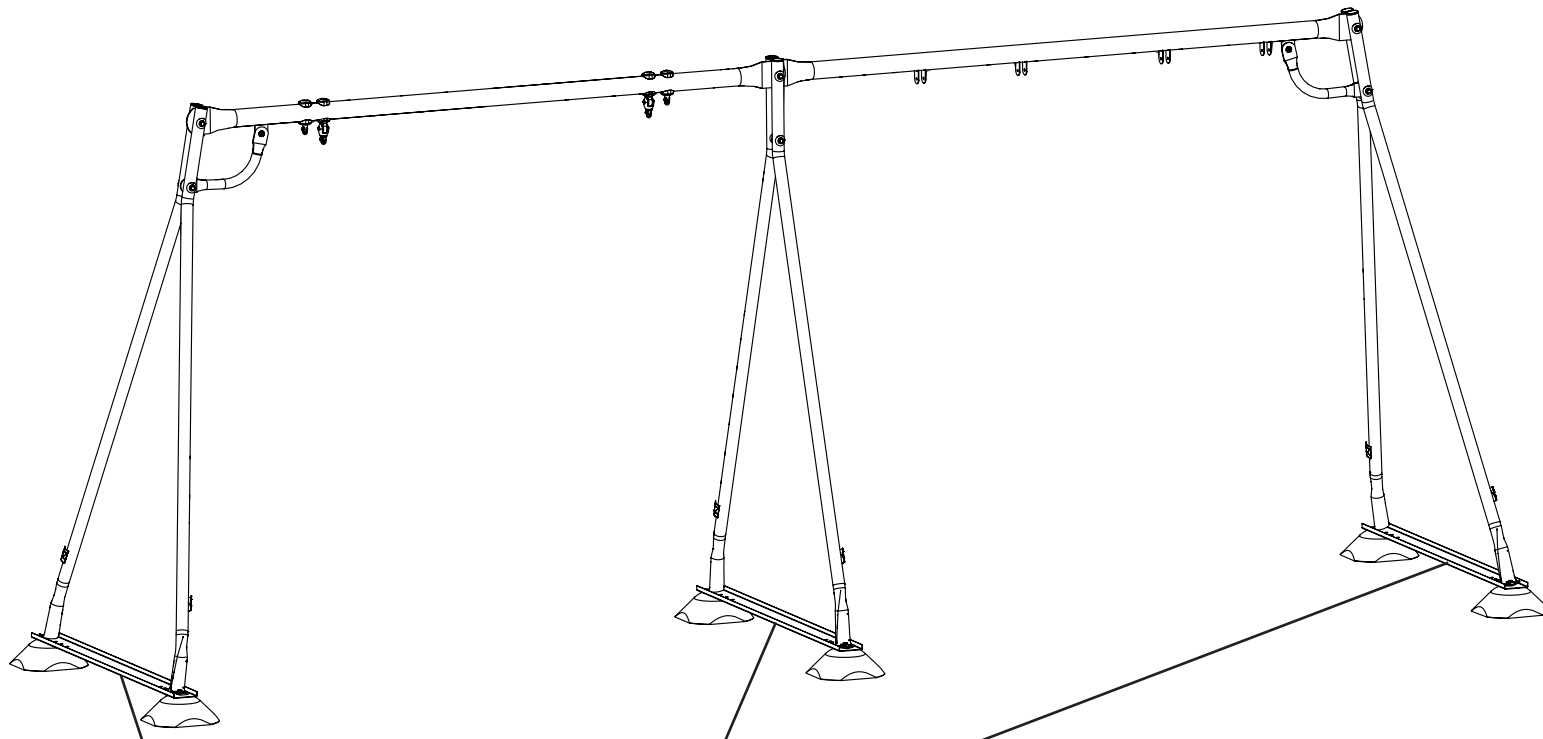


1	SW54318		1x L=3257	30.74kg
2	SW80894		1x L=3257	34.48kg
3	SW56688		6x L=2870	12.75kg
4	33-03891		3x 1900x127 mm	6.25kg
5	33-03264		2x 460x300 mm	2.20kg
6	43-06052		6x S4B M12, 34x34x10mm	0.07kg
7	31-01835		6x 350x350x130 mm	18.1kg
8	43-03994		14x Ø52x5 mm	0.08kg
9	8008755		6x DIN986-M12-8	0.024kg
10	8042811		2x ISO7042-M12-8	0.018kg
11	8008834		14x Ø12,5x30x3 mm	0.01kg
12	SW15632		6x Ø60x27 mm	0.02kg

13	8008427		6x ISO4014-M12x160-8.8	0.1550kg
14	8008411		2x ISO4017-M12x30-8.8	0.0429kg
15	8008414		6x ISO4017-M12x40-8.8	0.0518kg



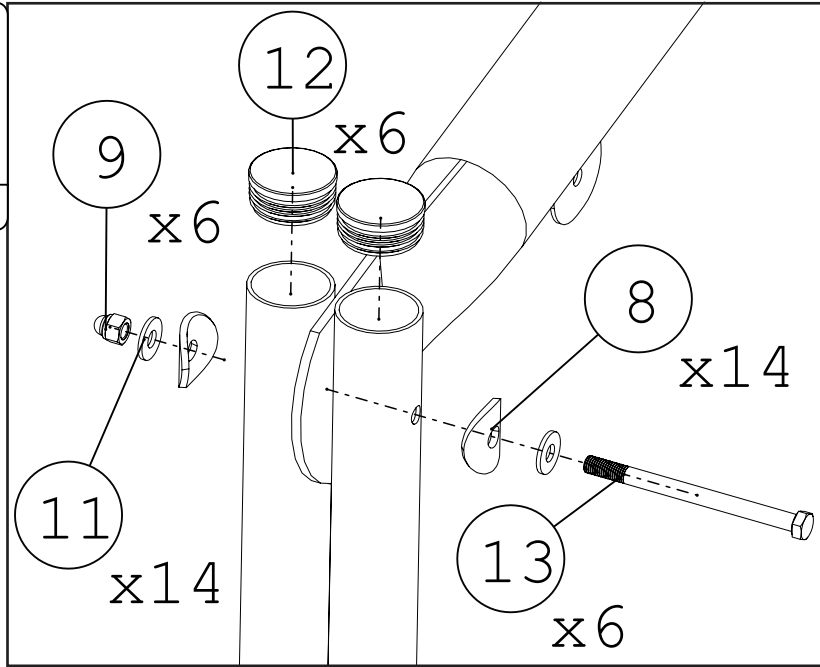




S11



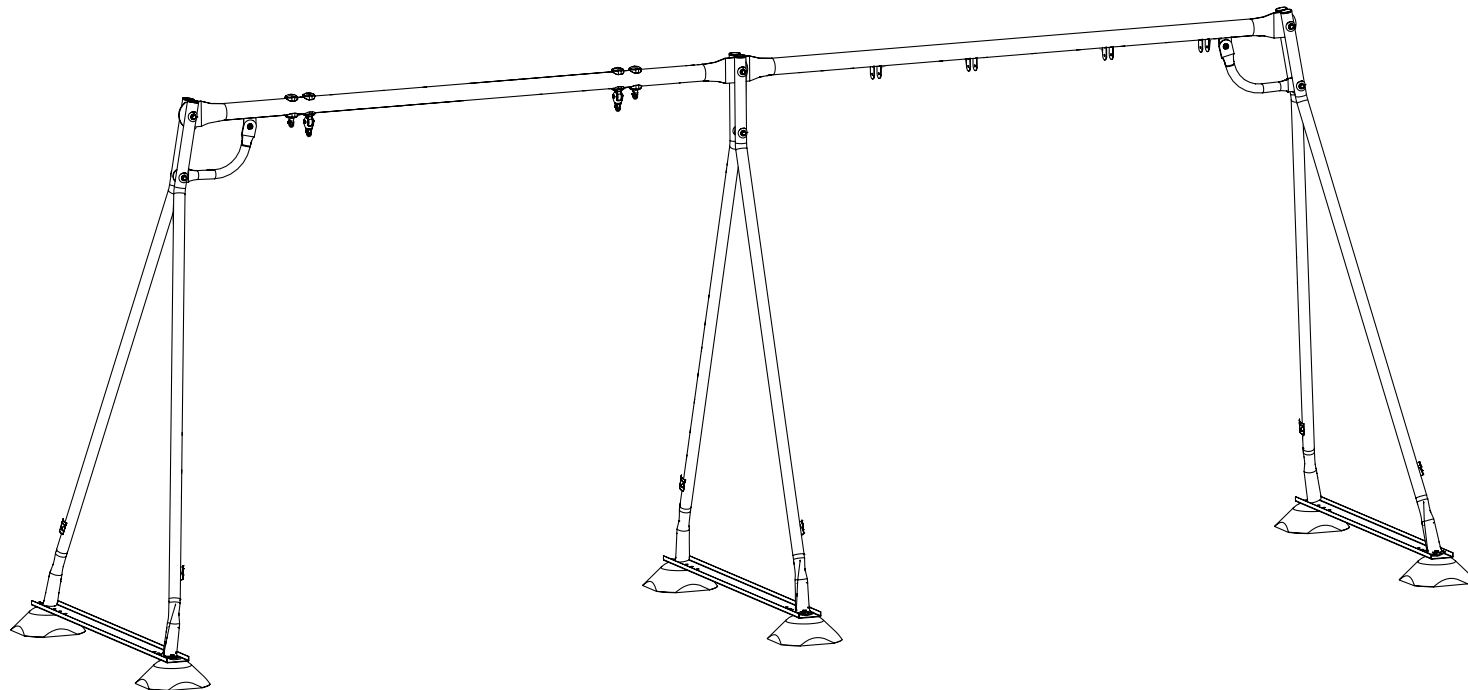
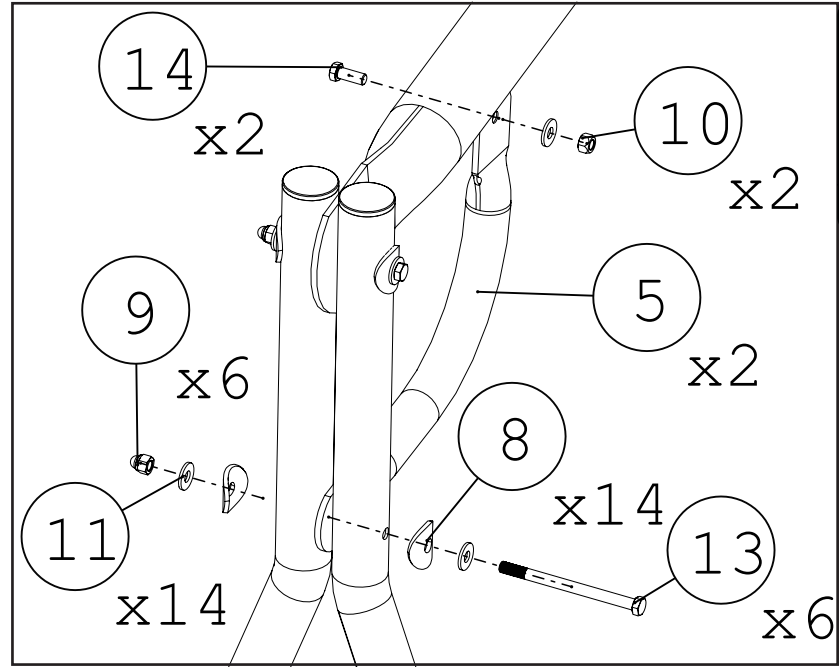
Nm
81nM

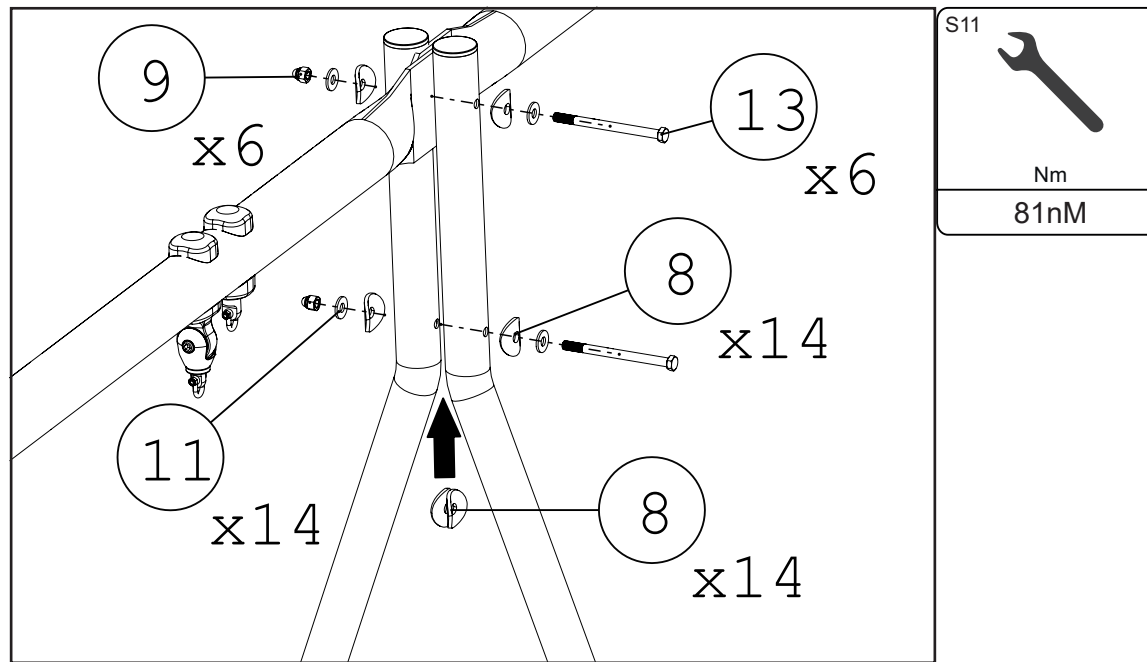


S11




Nm
81nM





S11



Nm
81nM

