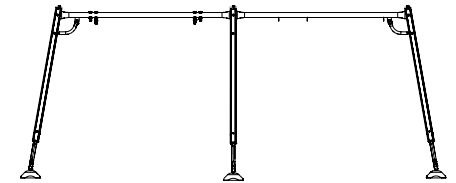




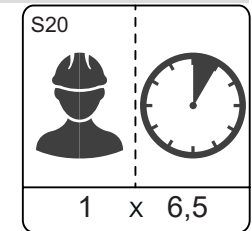
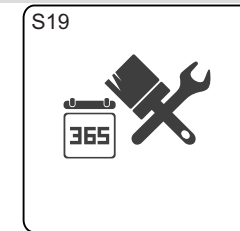
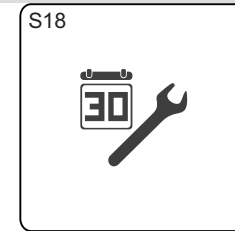
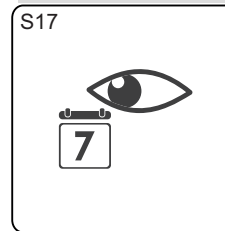


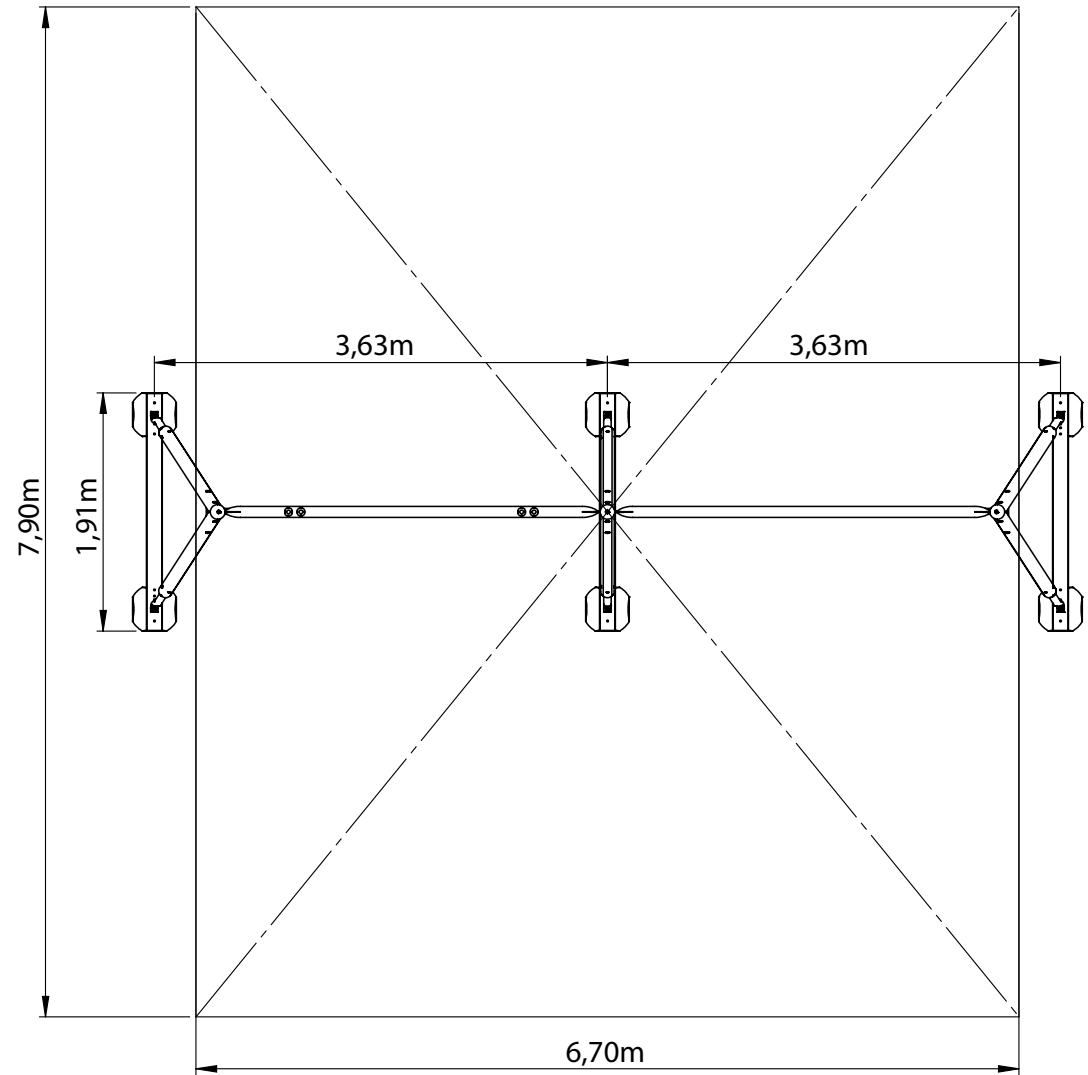
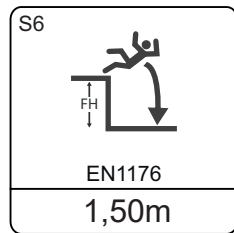
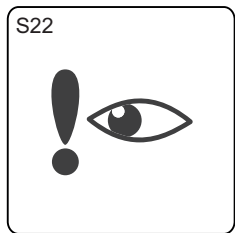
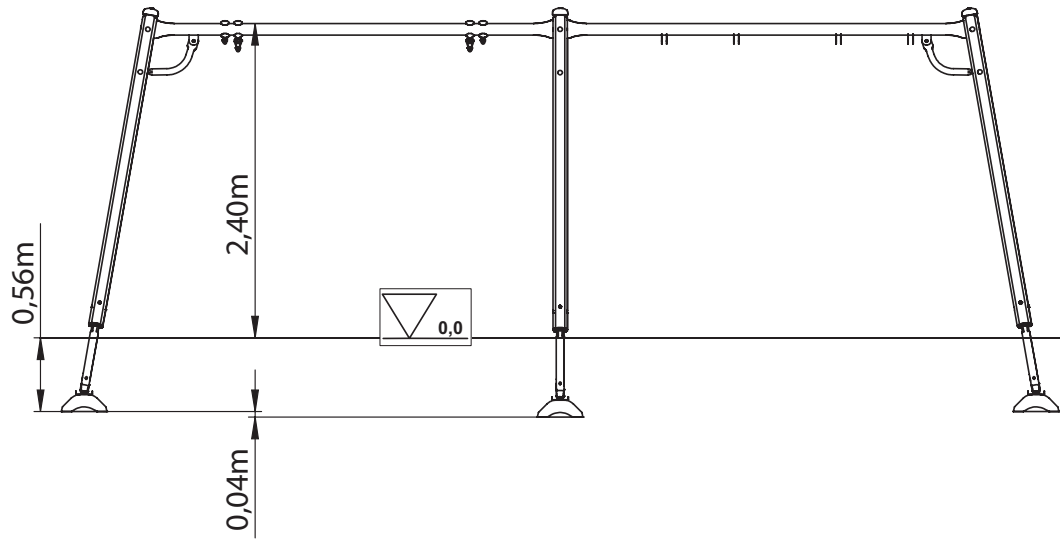
**S**



1	SW54318		1x L=3257	30.74kg
2	SW80894		1x L=3257	34.48kg
3	SW71678		3x	0.291kg
4	32-03249		2x 500x430x300 mm	2.86kg
5	SW80999		6x	9.56kg
6	33-03891		3x 1900x127 mm	6.25kg
7	8005537		12x Ø35x20 mm	0.01kg
8	43-06052		6x S4B M12, 34x34x10mm	0.07kg
9	31-01835		6x 350x350x130 mm	18.1kg
10	8042811		5x ISO7042-M12-8	0.018kg
11	8008834		14x Ø12,5x30x3 mm	0.01kg
12	SW57020		1x	0.76kg

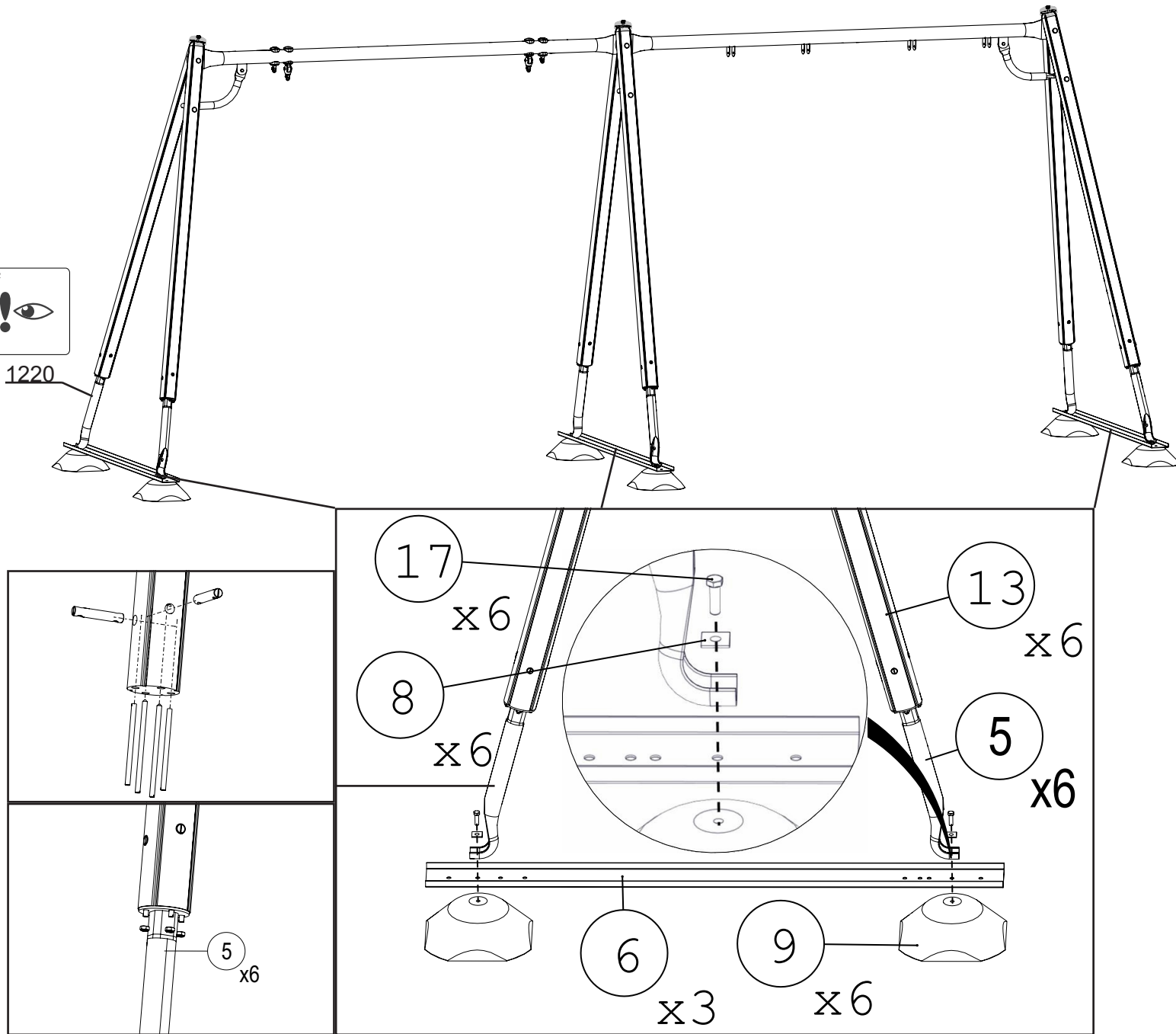
13	SW73082		6x Ø108.5 x 2495 mm	7.40kg
14	8008425		3x ISO4014-M12x130-8.8	0.1317kg
15	8008421		6x ISO4014-M12x90-8.8	0.0961kg
16	8008411		2x ISO4017-M12x30-8.8	0.0429kg
17	8008414		6x ISO4017-M12x40-8.8	0.0518kg







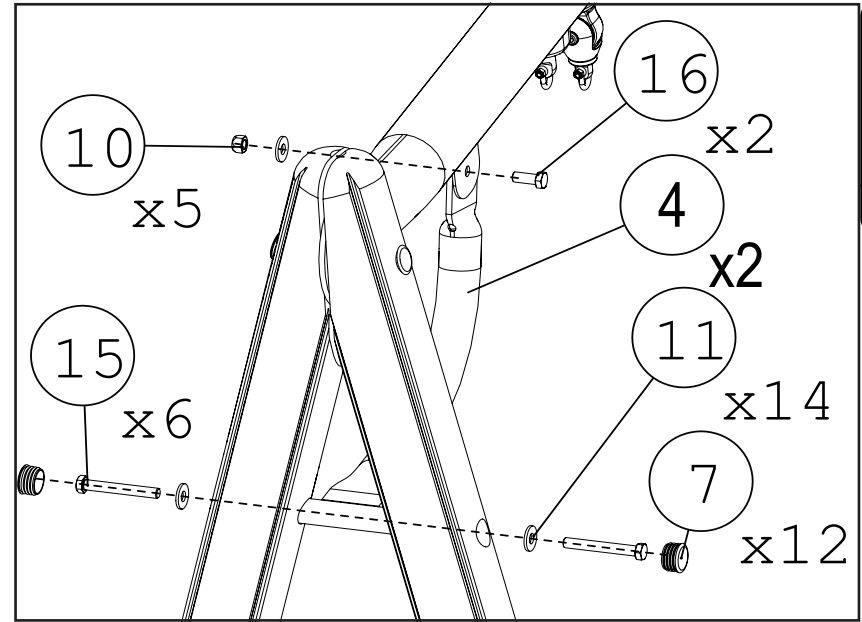
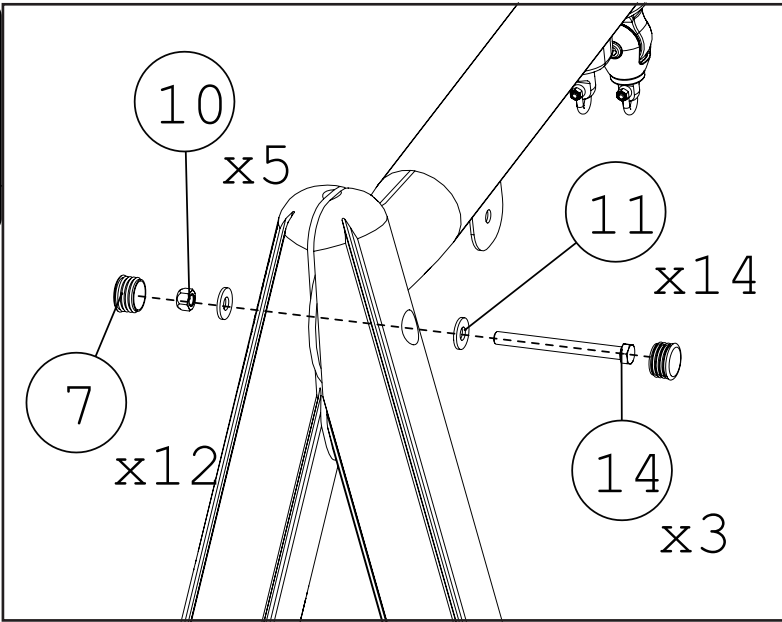
1220



S11



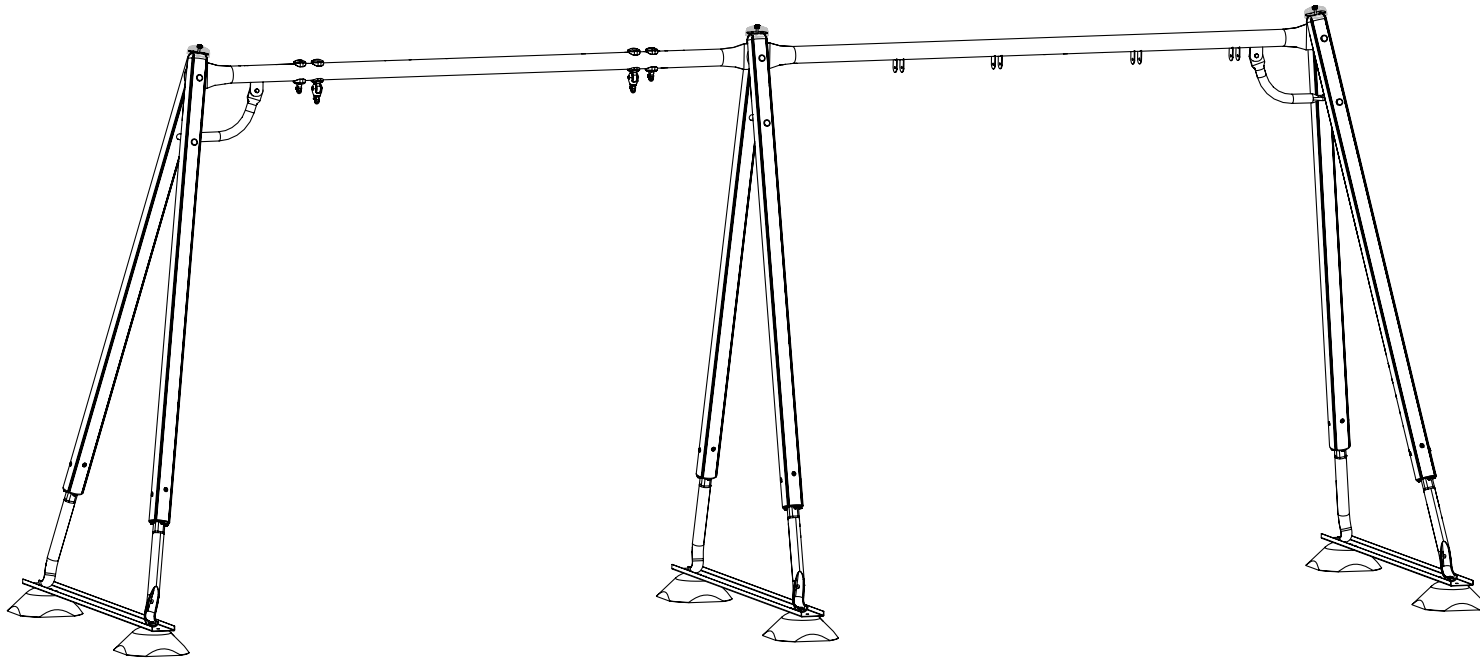
Nm  
81nM




S11



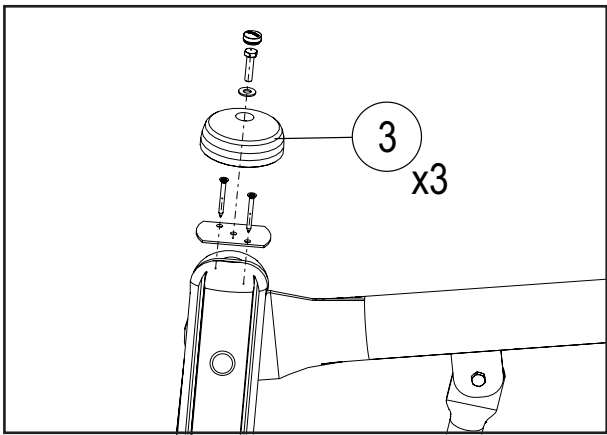
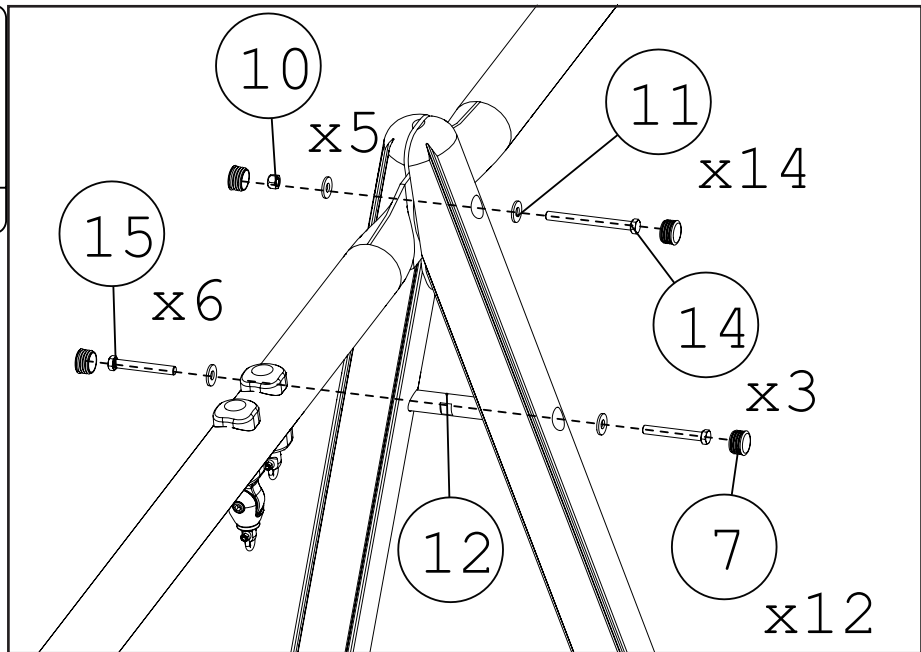
Nm  
81nM



S11



Nm  
81nM



S22



1227

