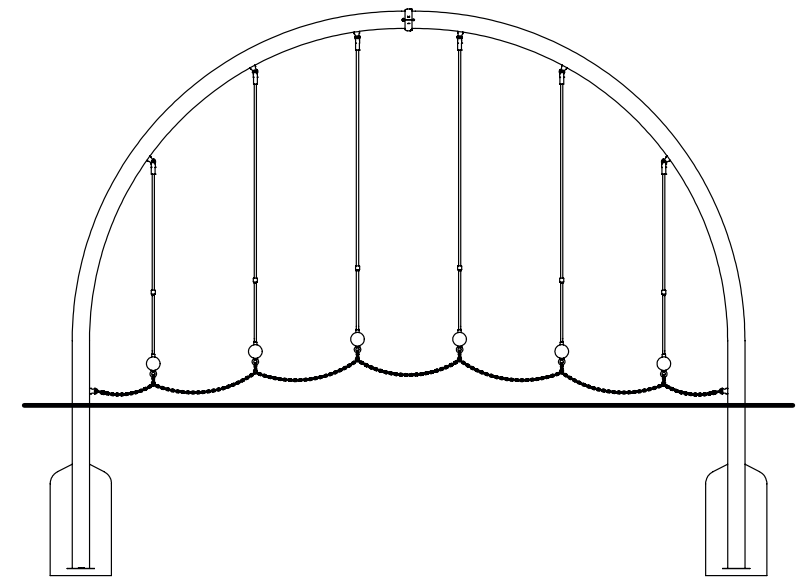




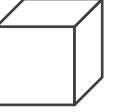


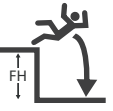

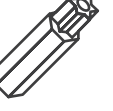
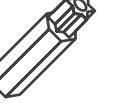


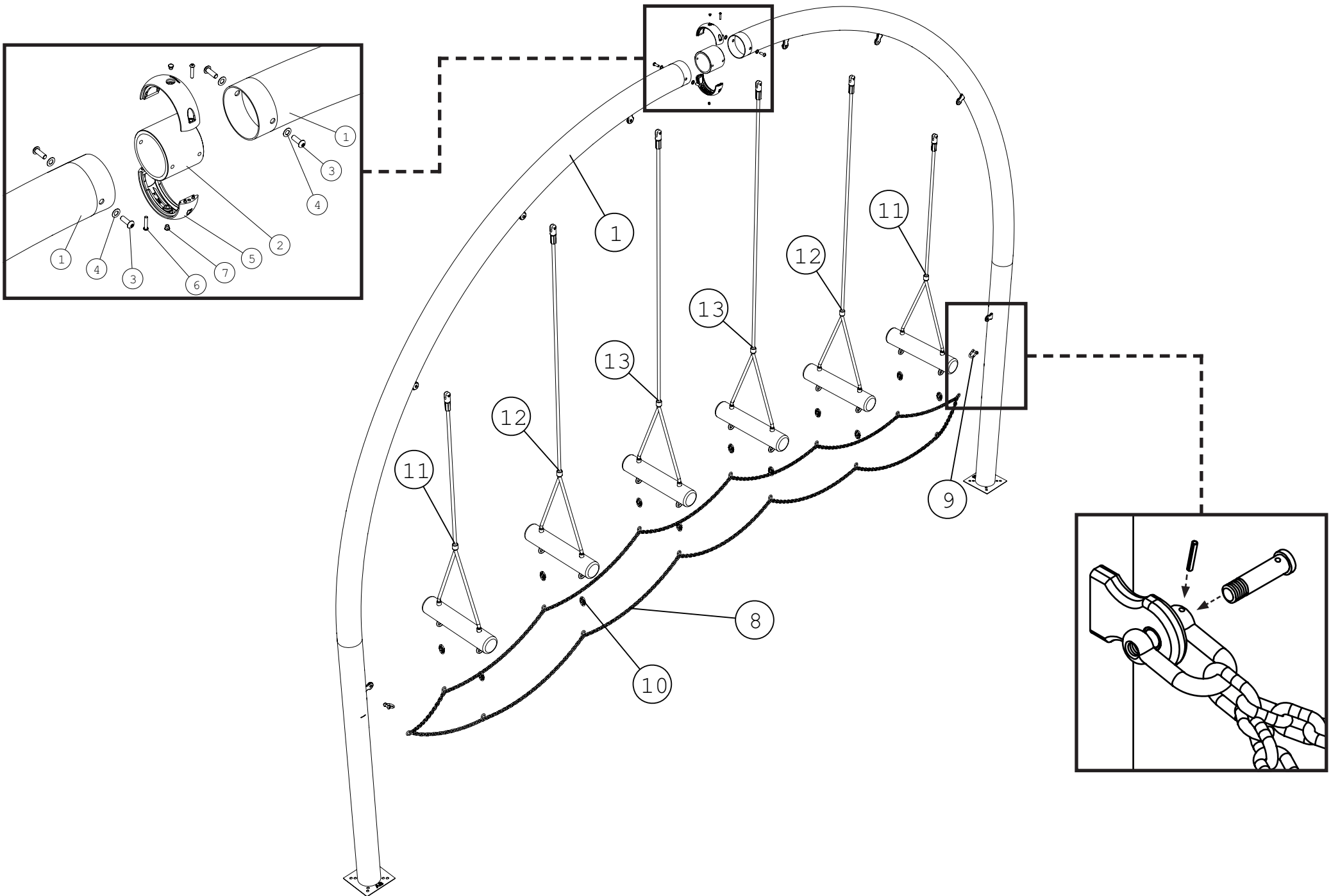
CC & BM



1	78603014		2x 4800 x 1311 x 200	50.95kg
2	78604001		1x Ø118.5 x 100	2.21kg
3	10121030		4x M10x30_A2_TX45	0.03kg
4	10291000		4x M10_B_Ø11 x Ø21 x 1_A2	0.002kg
5	78804306		2x 5" x 163 x 84 x 51	0.27kg
6	14104749		2x 1/4" UNC x 1-1/4"	0.01kg
7	19055030		2x Ø11.5 x 9.5	0.28kg
8	78804001		1x Ø6 x 4530 x 20 x 20	7.78kg
9	109304		2x Ø10 x 59 x 45 x 19	0.09kg
10	15716000		12x Ø6 x 59 x 37 x 21	0.08kg
11	78805056		2x Ø16 x 1597 x 500 x 100	4.78kg
12	78805057		2x Ø16 x 2169 x 500 x 100	4.92kg


13	78805058		2x Ø16 x 2329 x 500 x 100	4.95kg
14	78804031		1x	-kg
15	950040		1x	-kg

S12  kg 143kg	S15  L x W x H (m) 4.94 x 0.50 x 2.91	S13  m³ 0.5m³	S14  m² 9 x 4.5
S6  EN1176 0.6m	S20  2 X 8	S24  10121000 (TX45 / M10)	S24  10120500 (T27-1/4"UNC)



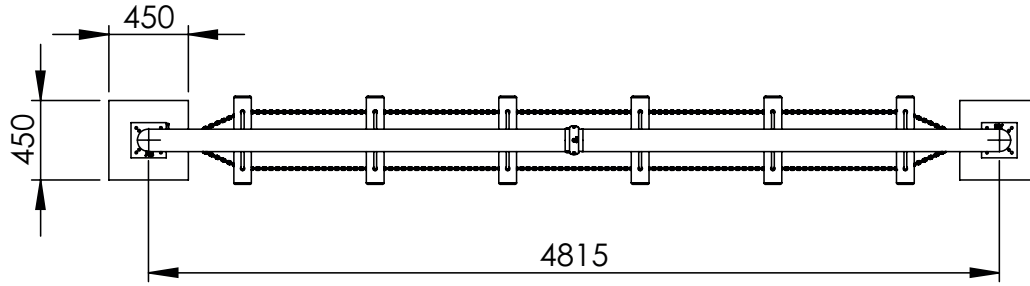
1

S6




EN1176

0.6m




S13



m³


0.50m³

S25




S2 (50mm)

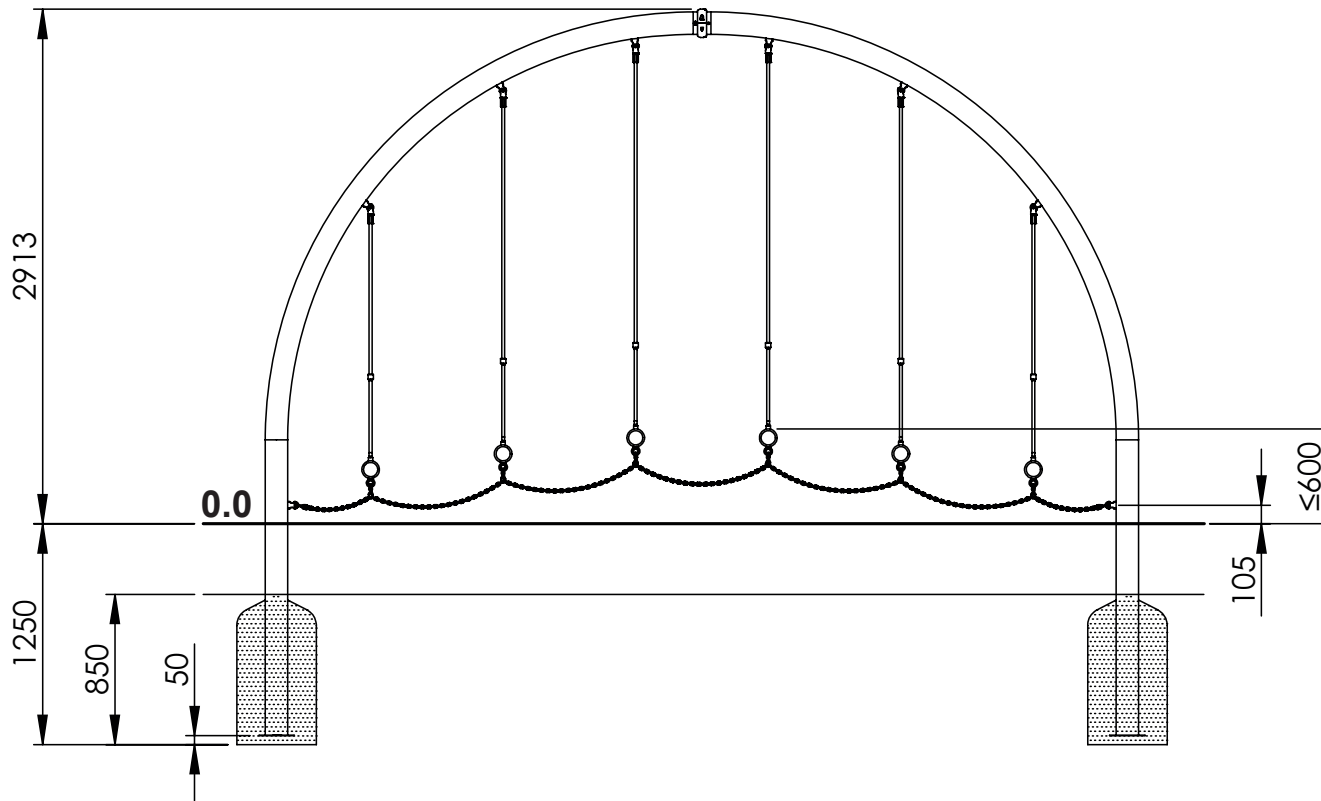
≥C20-25

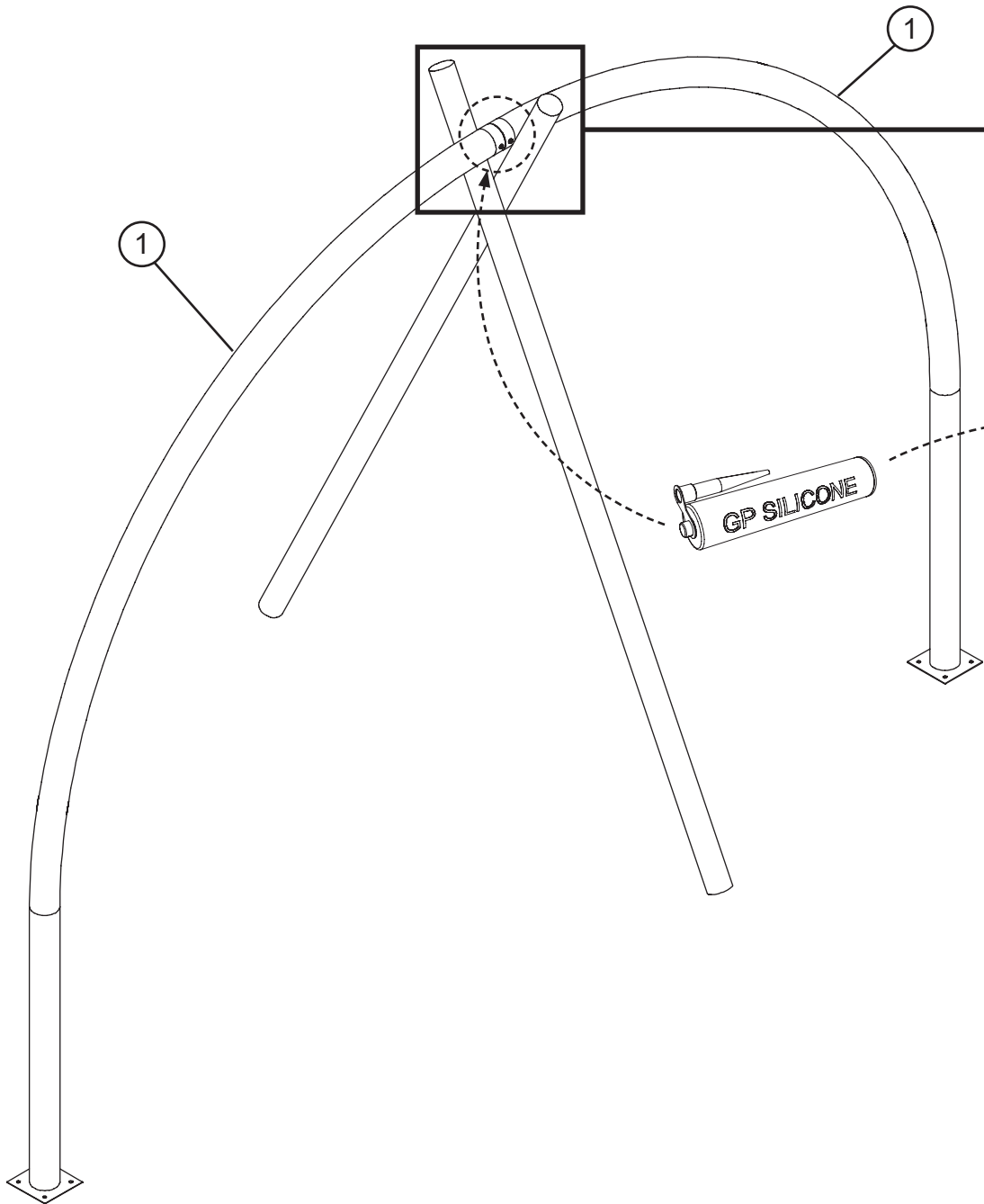


7 x 24




101

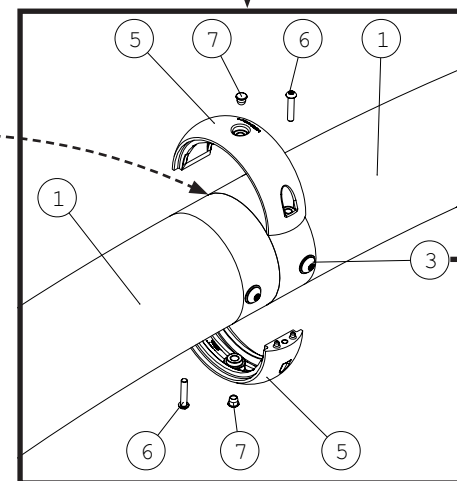




S22

S12

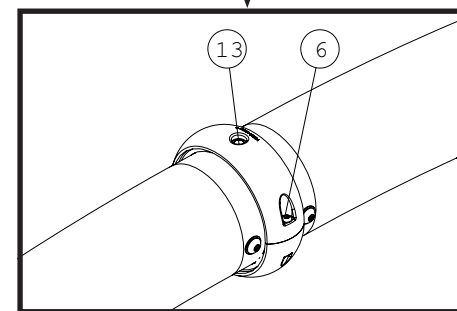
kg
51kg



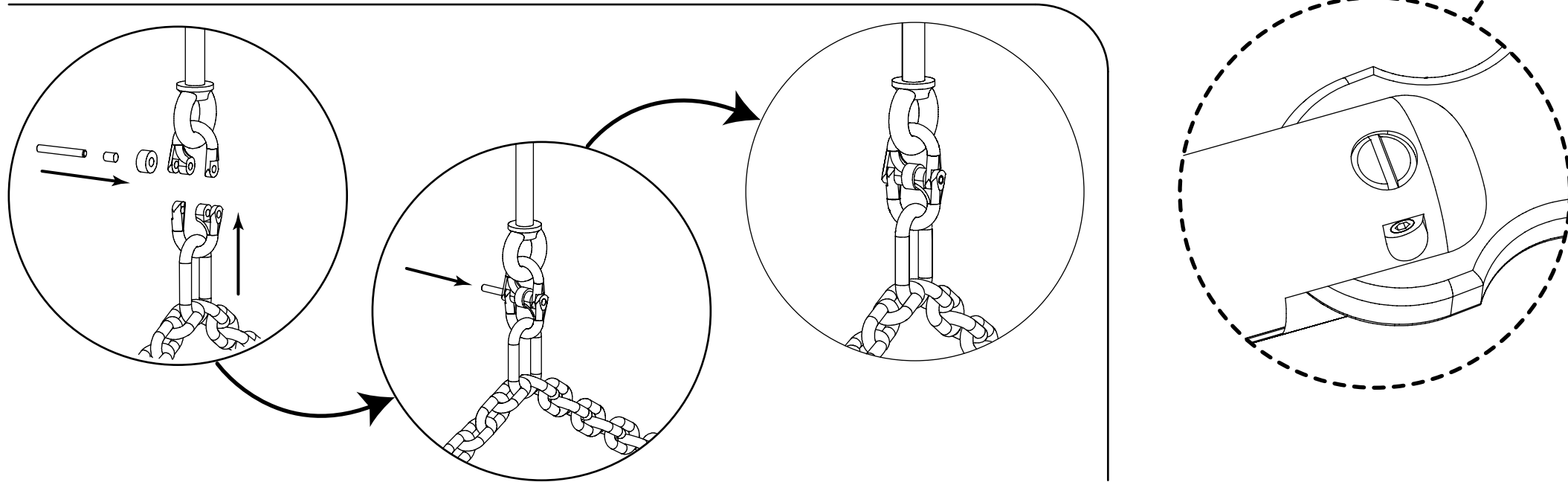
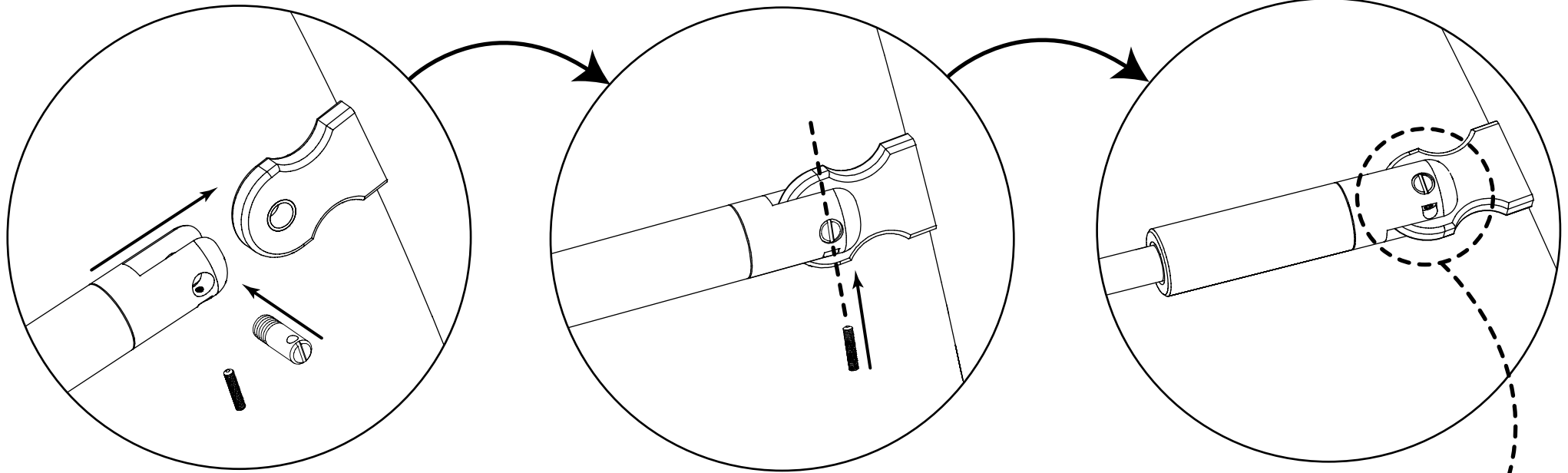
M10

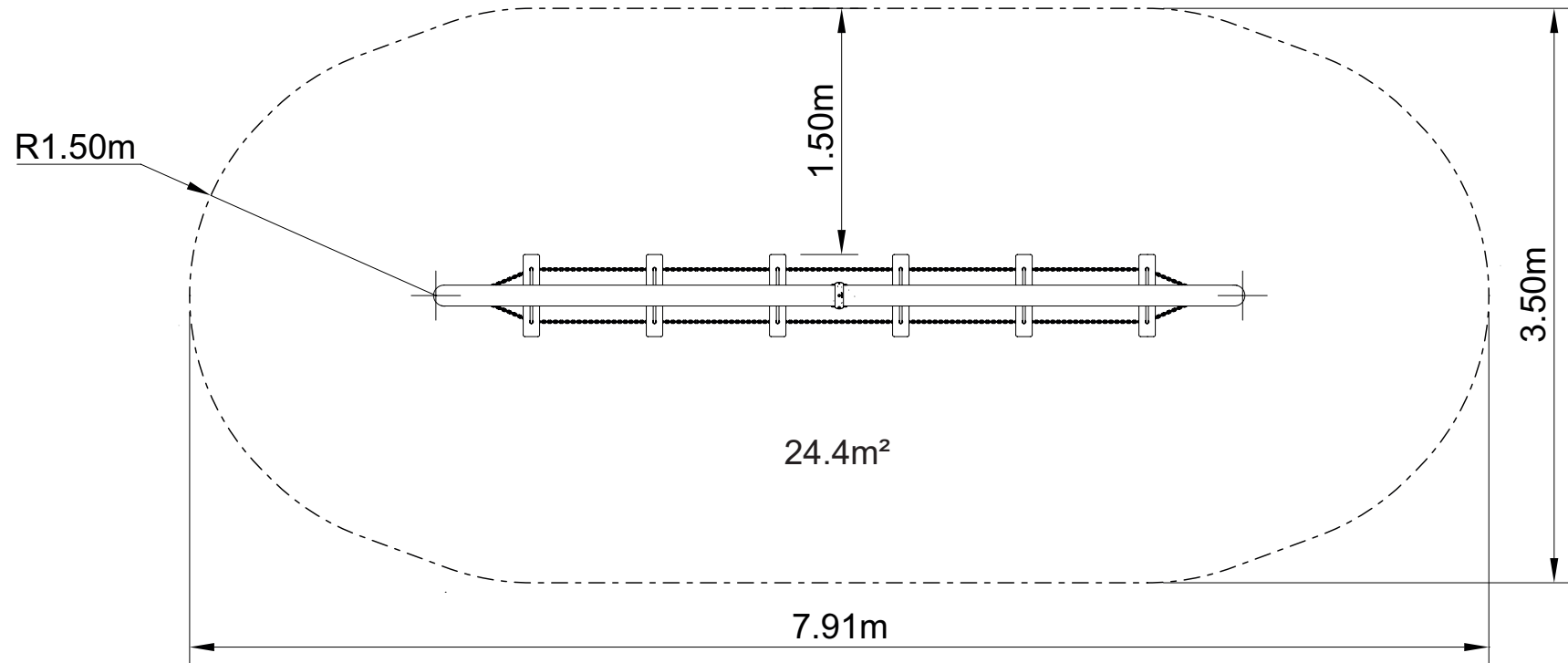
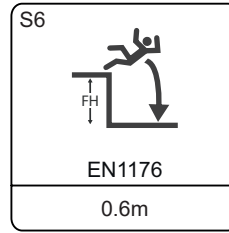
S11

Nm
20-25 Nm

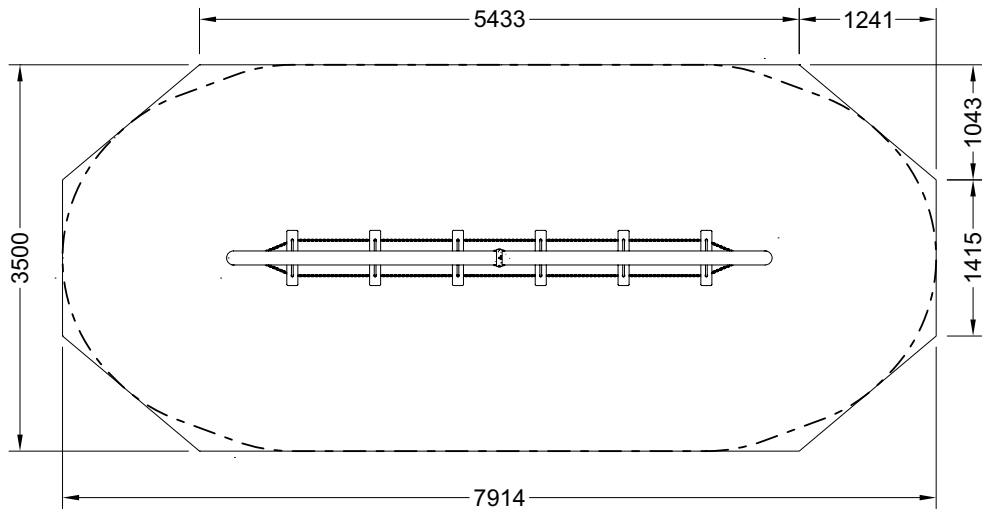


3

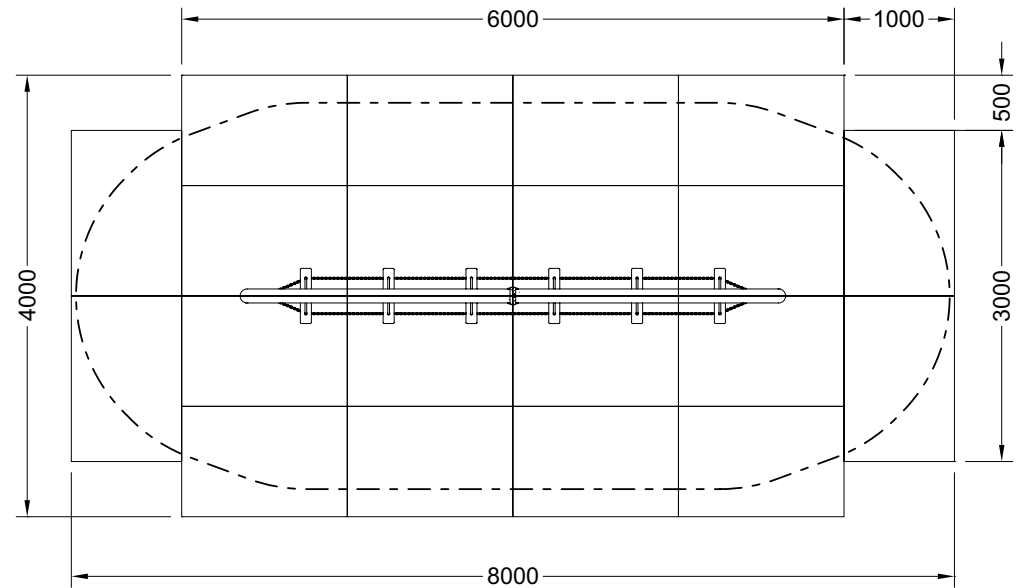




A ~ EN1176



25m²



30m²