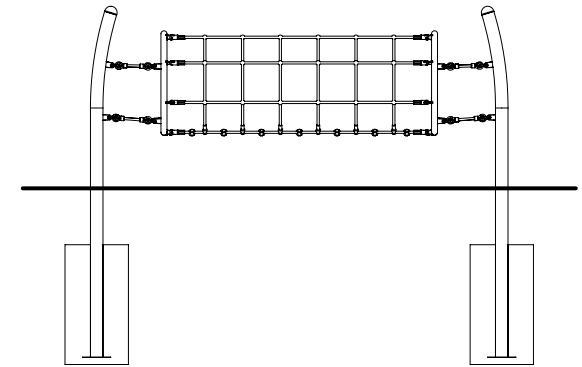

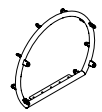


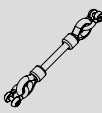
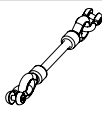






### CC & BM



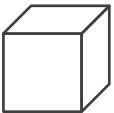
|   |          |   |                              |         |
|---|----------|---|------------------------------|---------|
| 1 | 78603006 |     | 4x 2495 x 202 x 200          | 26.73kg |
| 2 | 78603007 |    | 2x 892 x 741 x 157           | 10.59kg |
| 3 | 78605002 |    | 1x Ø16 x 1866 x 873 x 716    | 20.37kg |
| 4 | 78601032 |    | 2x 460 x 50 x 3              | 0.53kg  |
| 5 | 78605003 |    | 4x Ø16 x 328 x 46 x 40       | 0.40kg  |
| 6 | 78605004 |    | 4x Ø16 x 349 x 46 x 40       | 0.41kg  |
| 7 | 10290801 |    | 20x M8_A_Ø8.4 x Ø16 x 1.6_A2 | 0.002kg |
| 8 | 10130830 |   | 10x M8x30_A2                 | 0.02kg  |
| 9 | 10260800 |  | 10x M8_8.8                   | 0.006kg |

S12




kg  
153kg

S15




L x W x H (m)  
2.96 x 0.85 x 1.30

S13



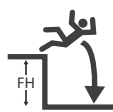
m<sup>3</sup>  
0.90m<sup>3</sup>

S14




m<sup>2</sup>  
6.5 x 4.5

S6



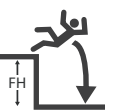
EN1176  
1.1m

S8




ASTMF1487  
1.1m

S9



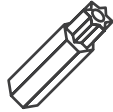
CSA Z 614  
1.1m

S20

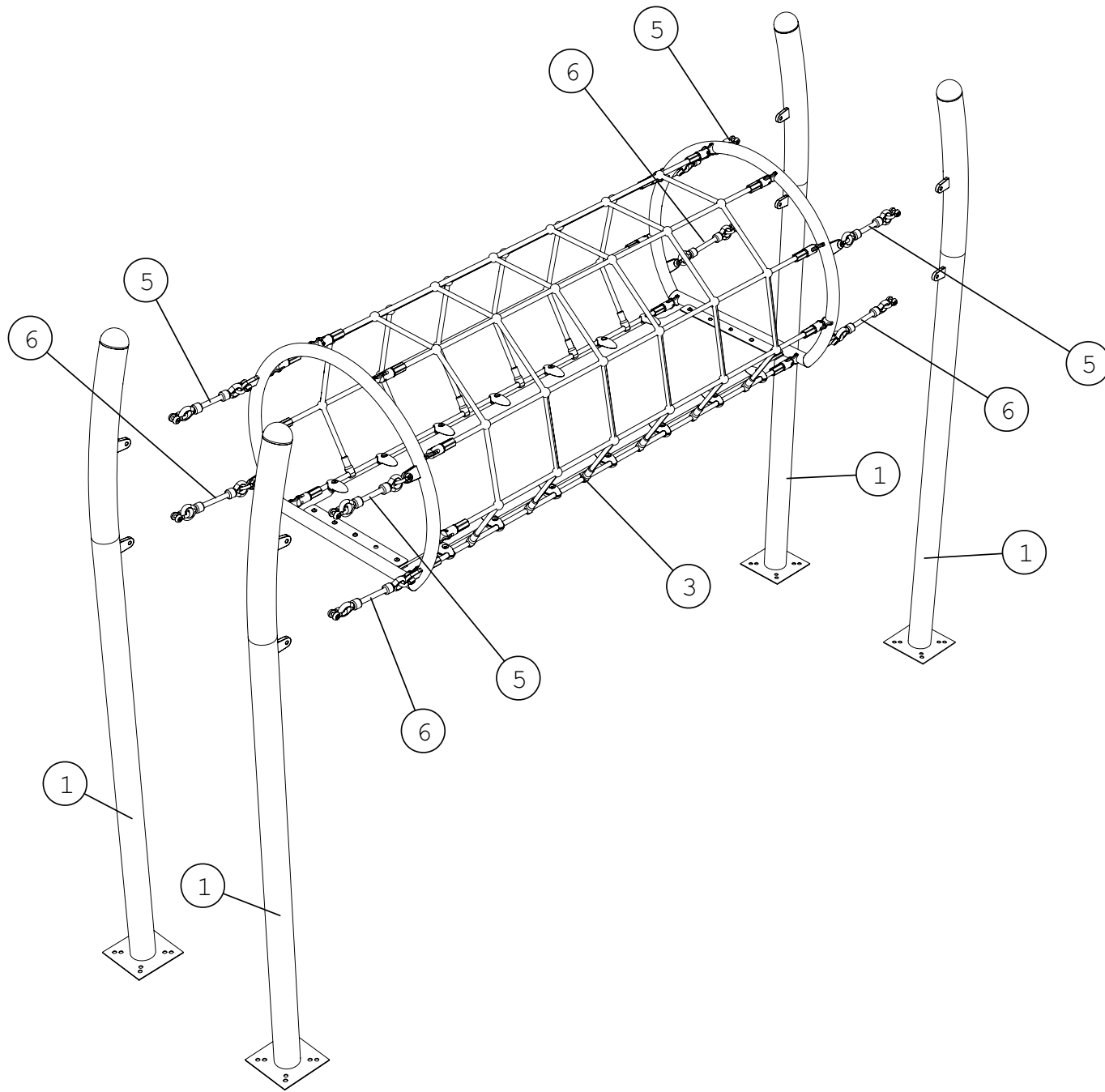


2 X 6

S24



950103 (TX40 / M8)



# 1

S22

S12

kg  
27kg

S13

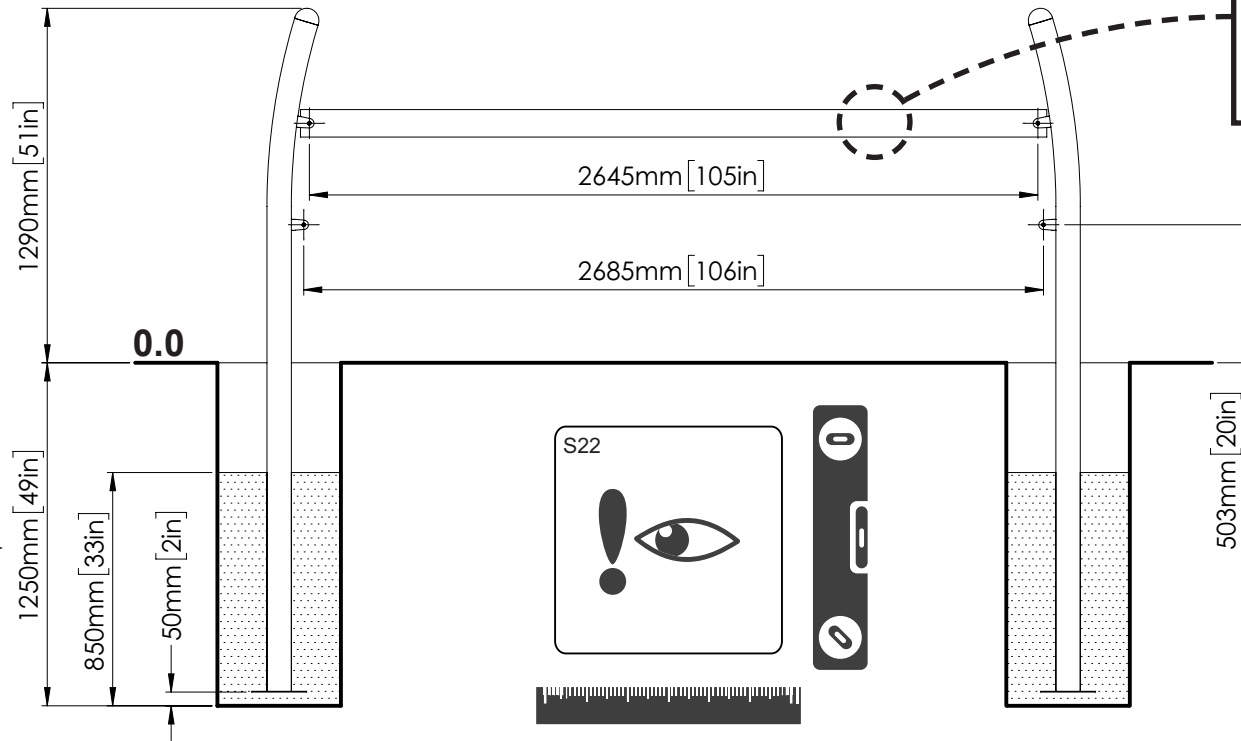
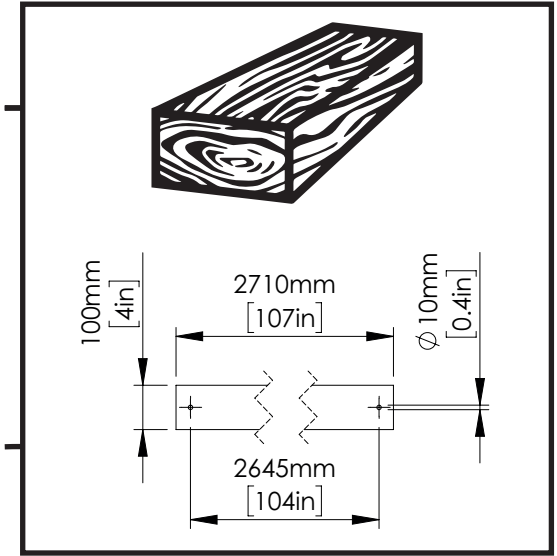
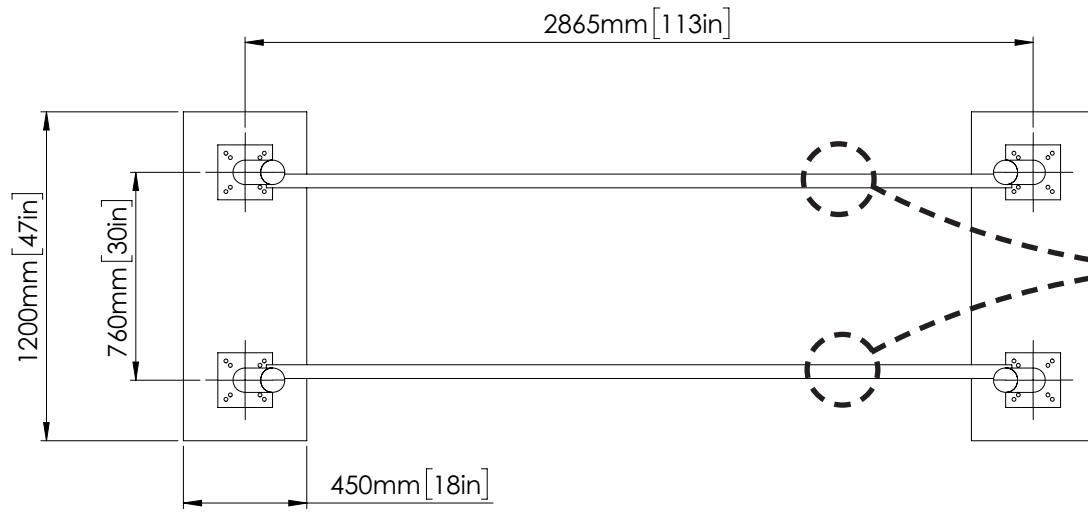
m<sup>3</sup>  
0.90m<sup>3</sup>

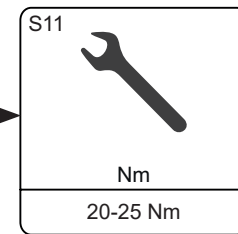
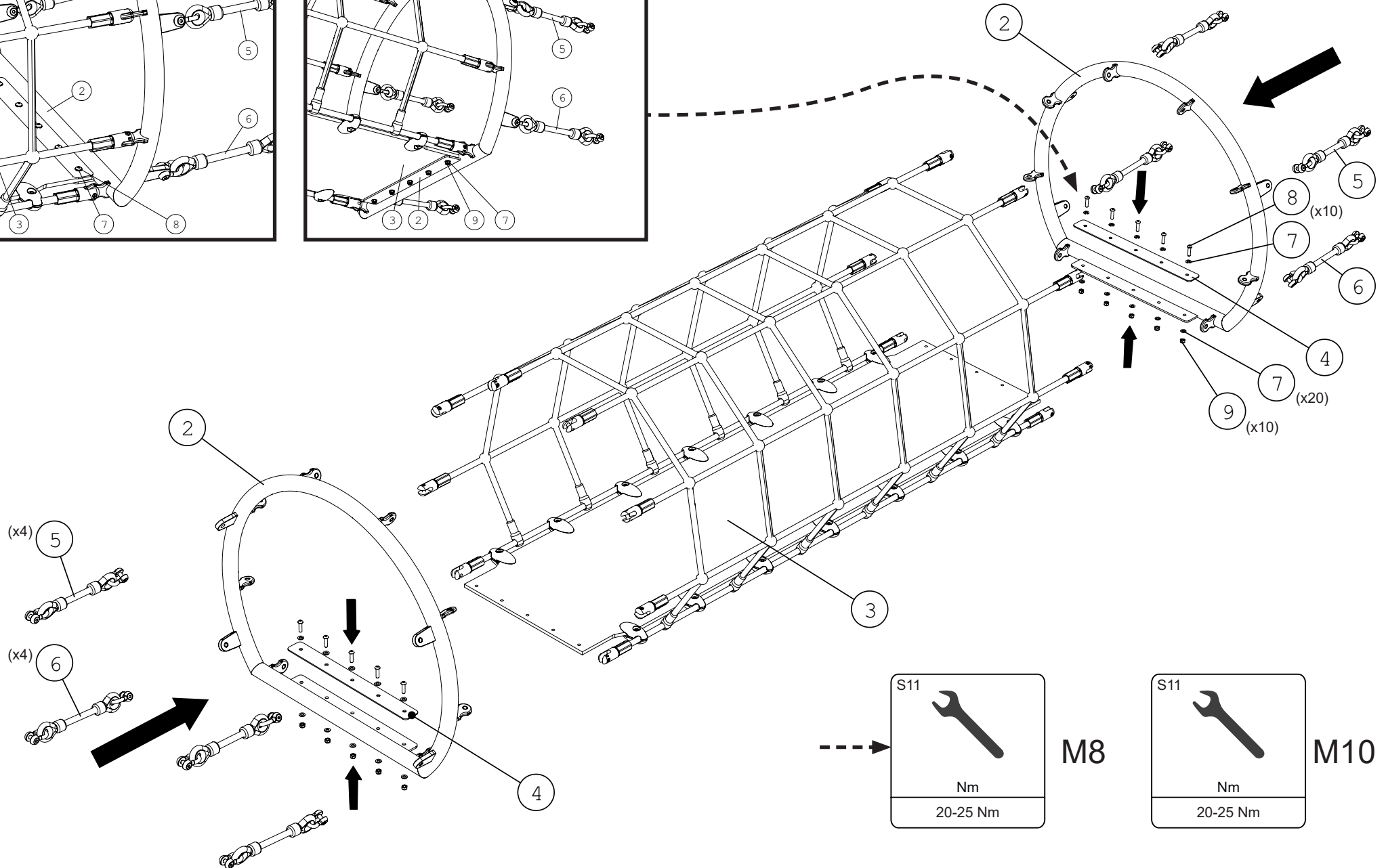
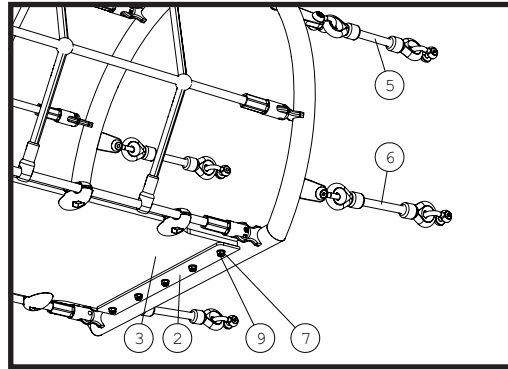
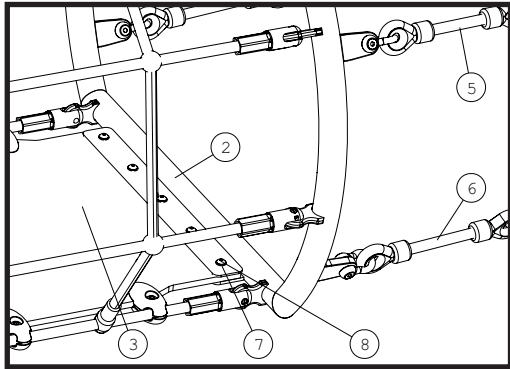
S25

S2 (50mm)  
≥C20-25

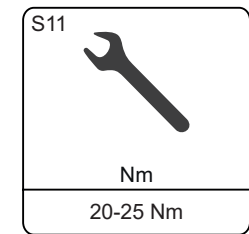
7 x 24

101



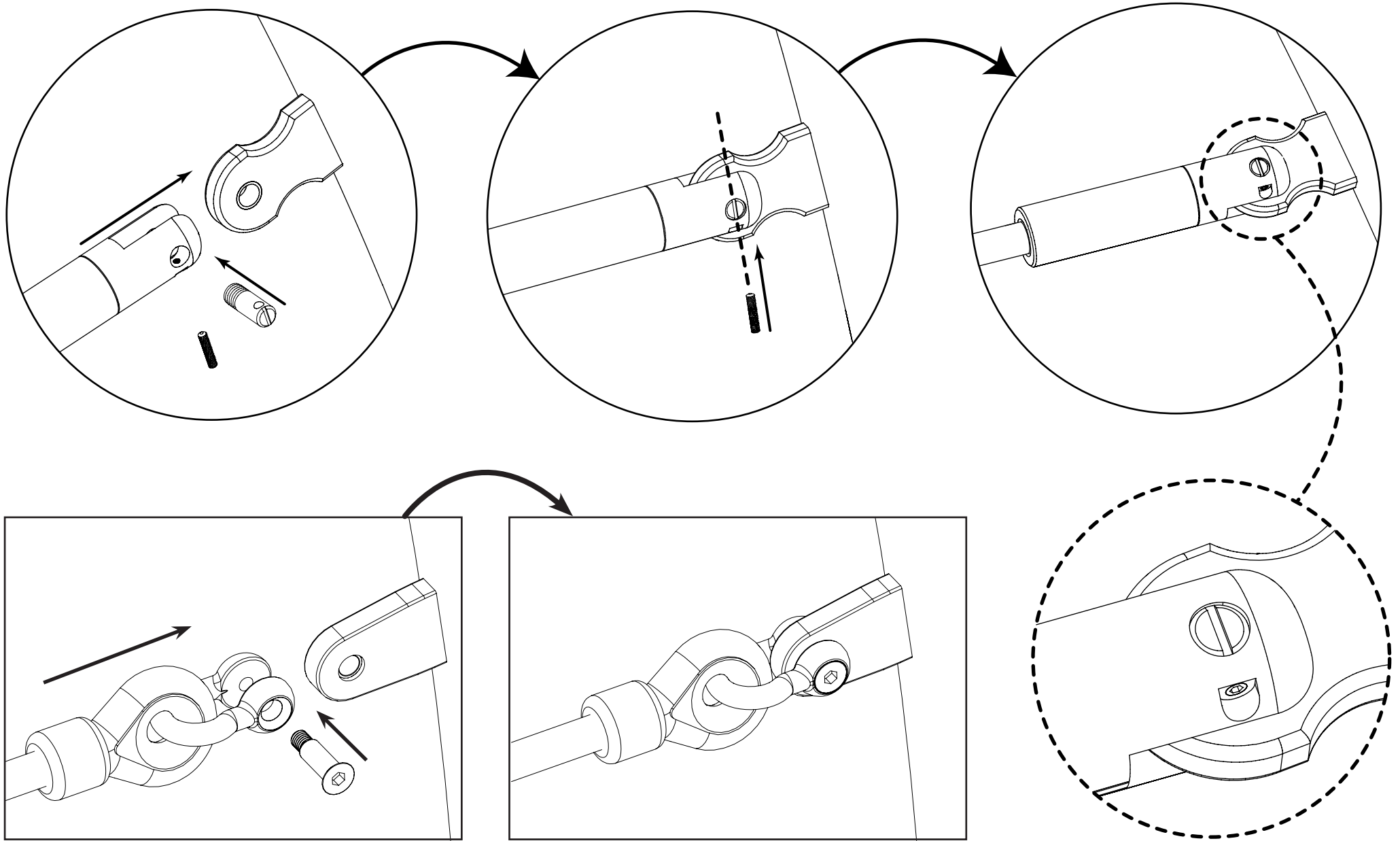


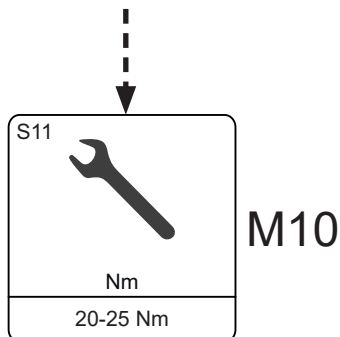
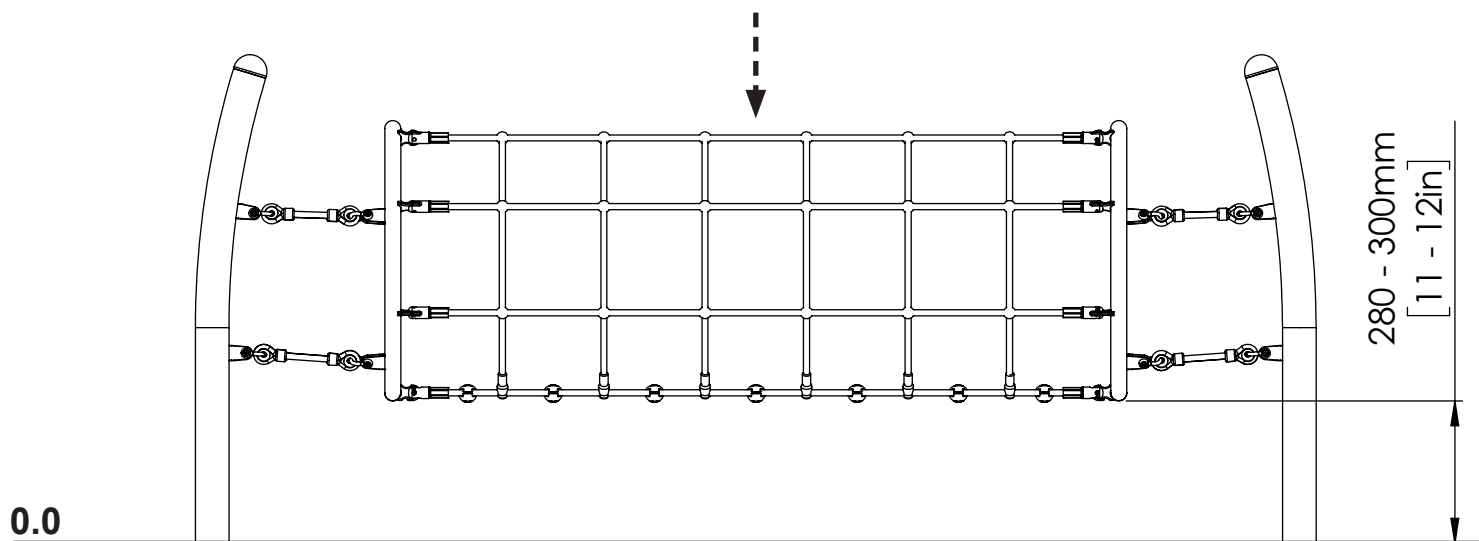
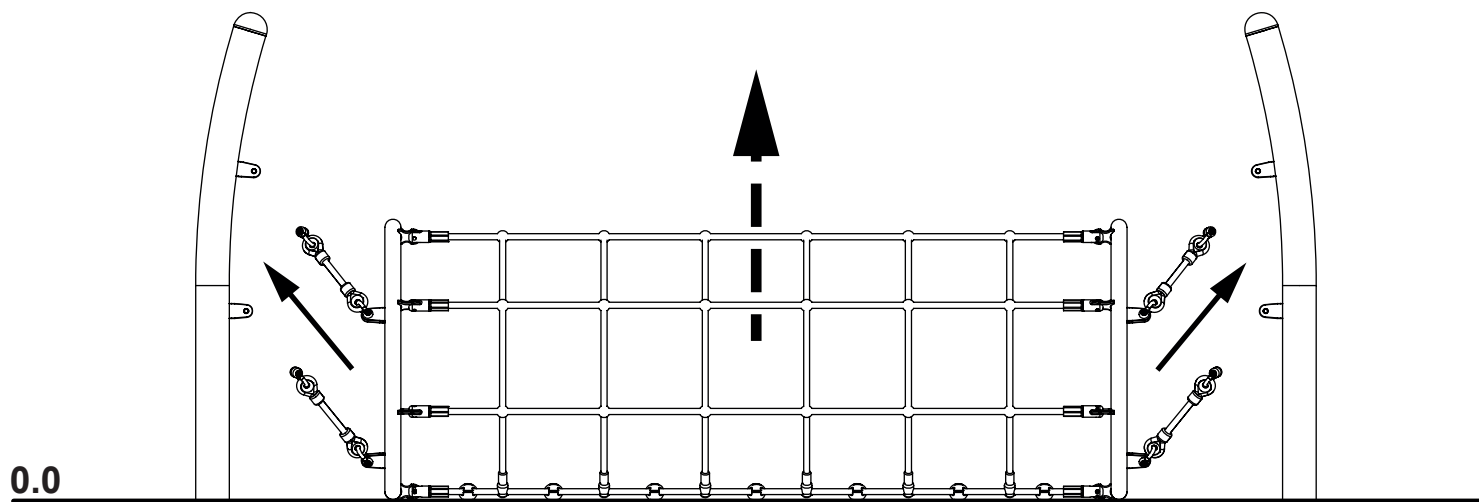
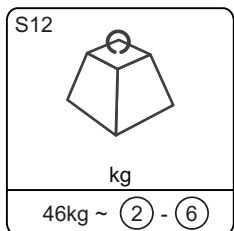
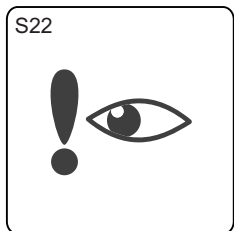
M8

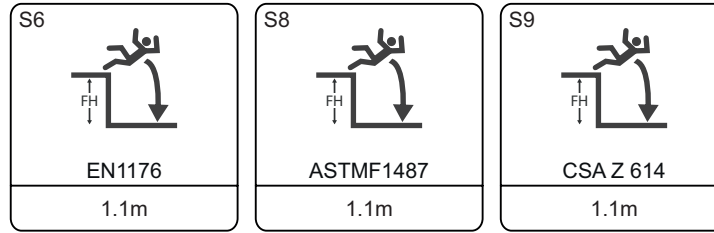


M10

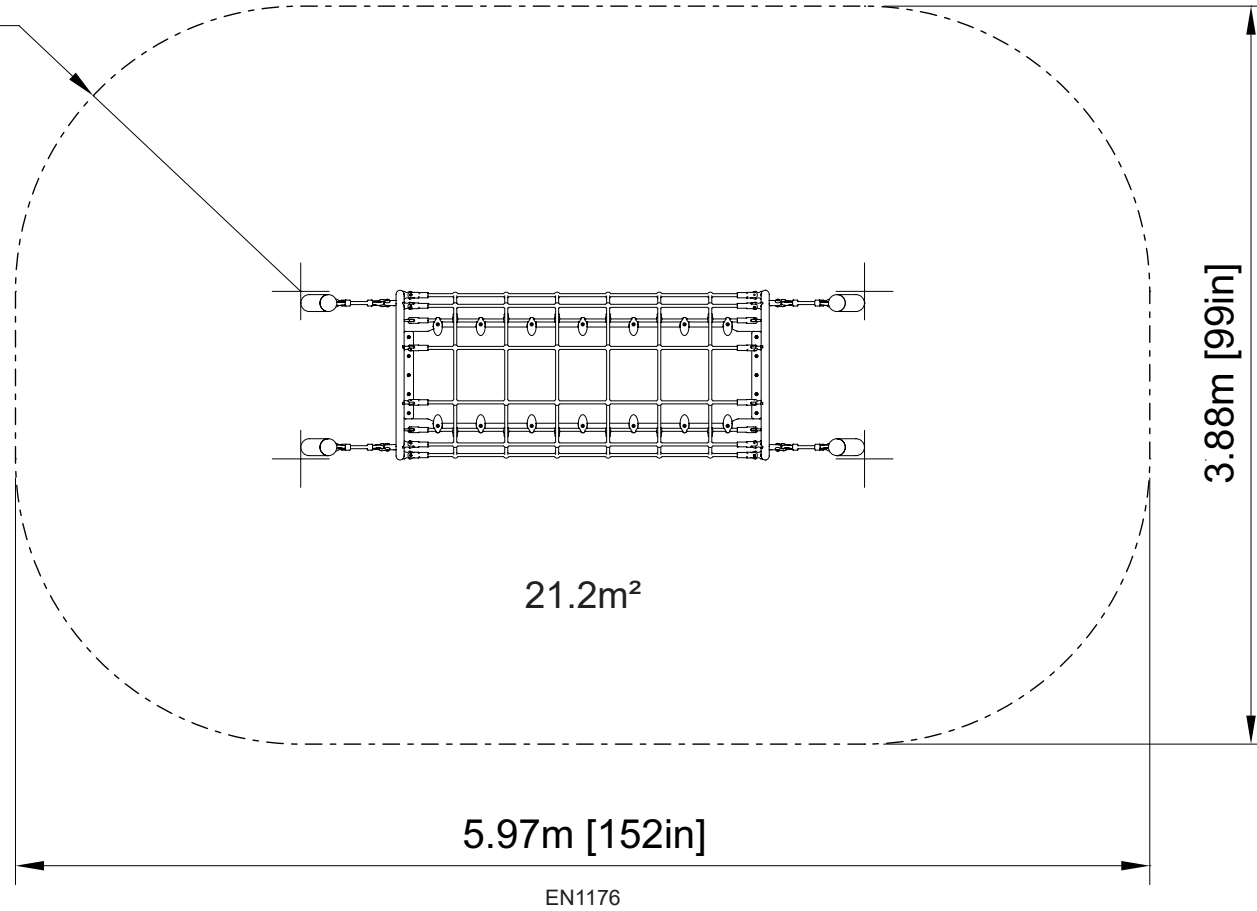
3





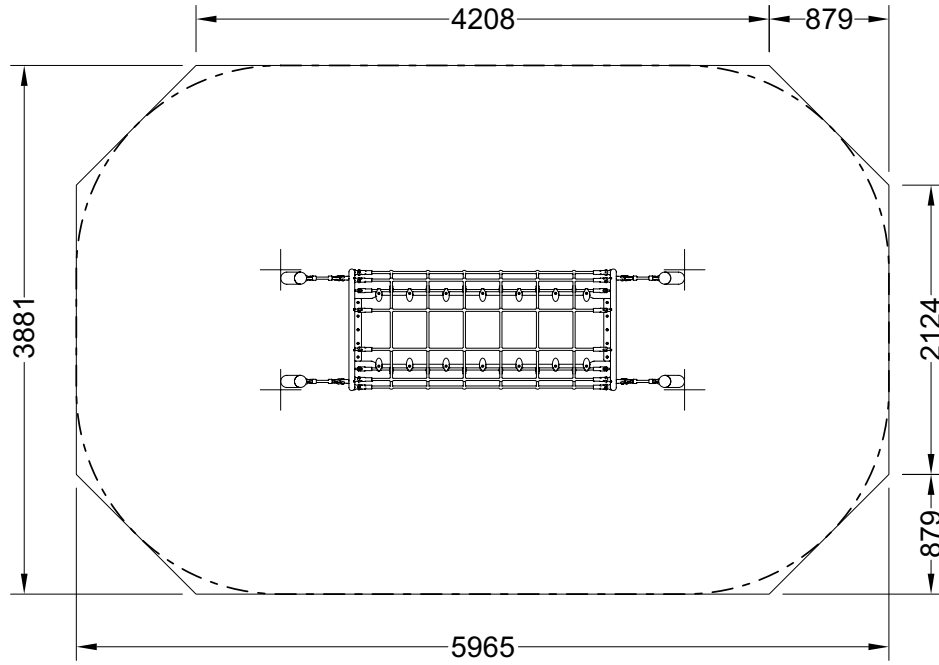


R1.50m [R38in]

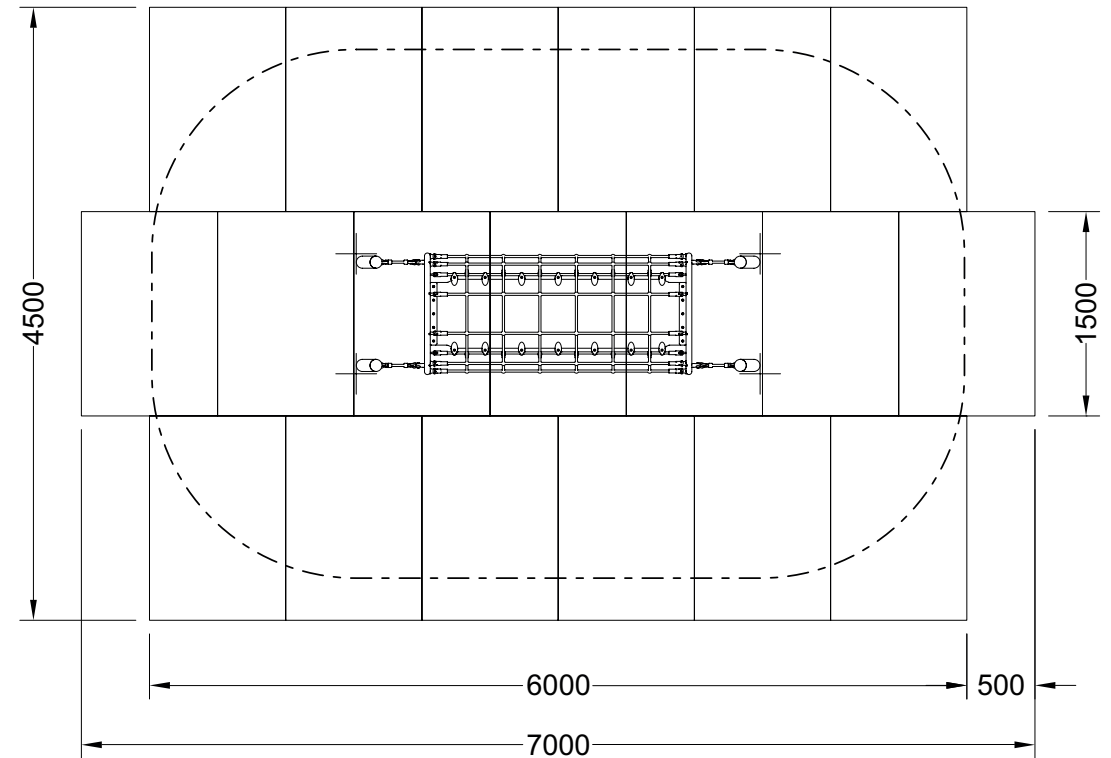




# A ~ EN1176



21.6m<sup>2</sup>



28.5m<sup>2</sup>