
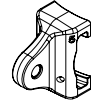







1	78804306		2x Ø5" x 163 x 84 x 51	0.27kg
2	78604000		1x 65 x 44 x 73 ('5')	0.15kg
3	14104749		2x 1/4" UNC x 1-1/4"	0.01kg
4	14104942		2x Ø13x11	0.0004kg
5	14104403		2x 1/4-14 X 1"	0.01kg
6	14100508		2x M5 x 8	0.001kg

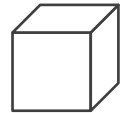
S12



kg

0.7kg


S15



L x W x H (m)

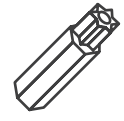
0.18 x 0.16 x 0.07

S20

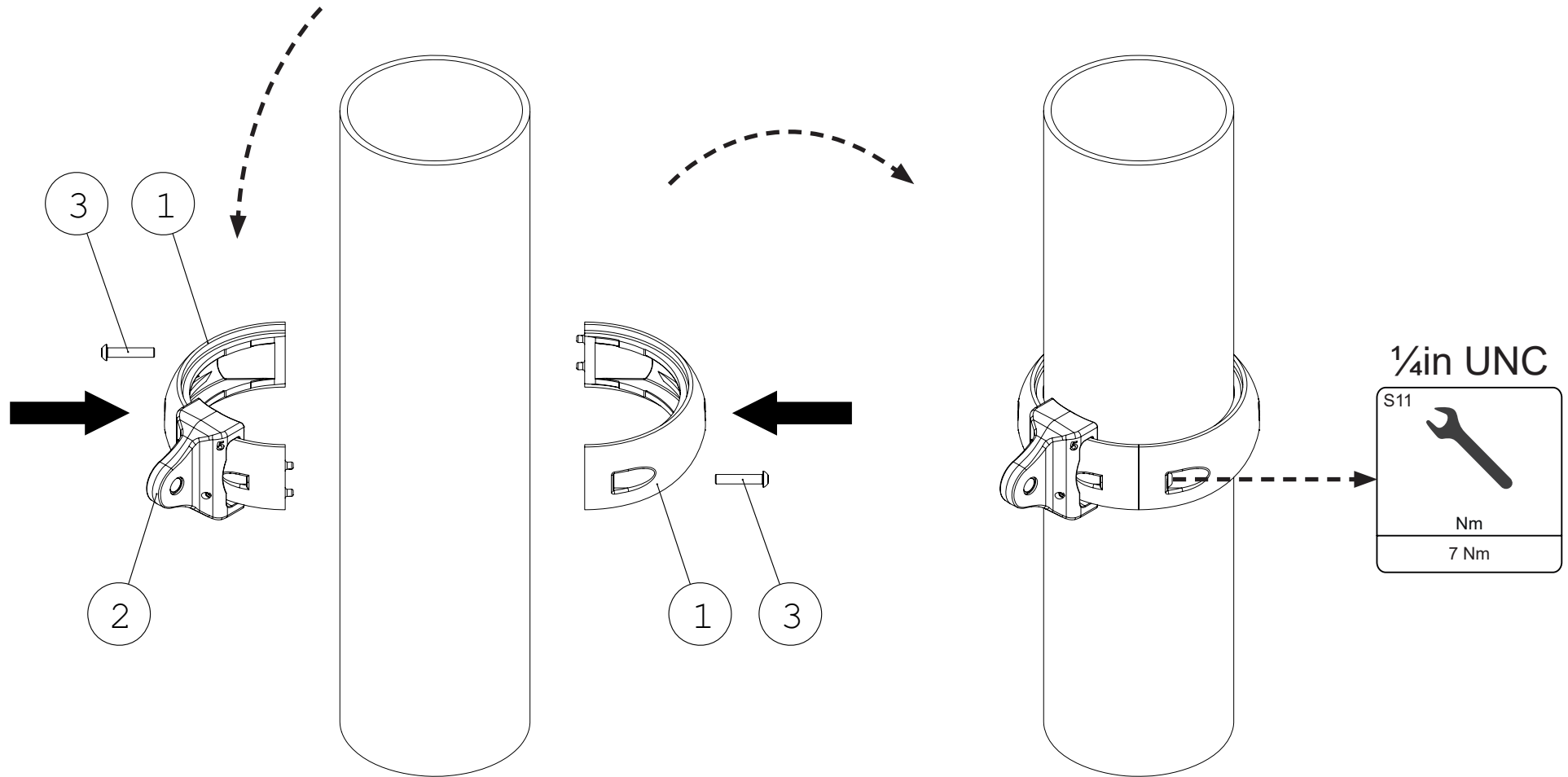
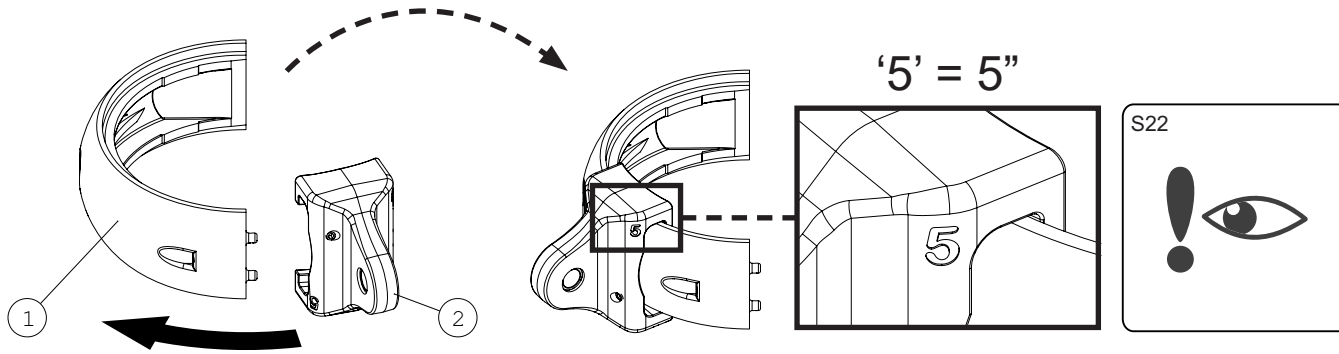


1 X 0.25

S24



10120500 (T27-1/4"UNC)



2

