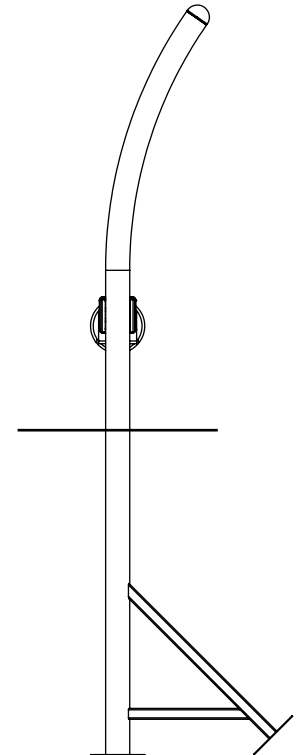
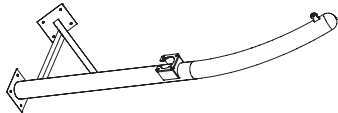
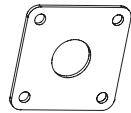
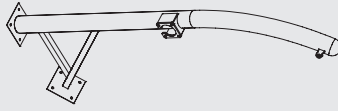
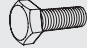

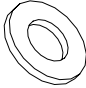
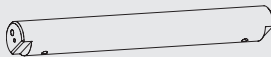
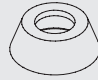
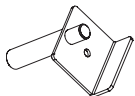

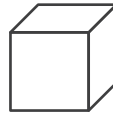


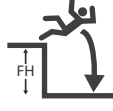

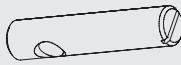
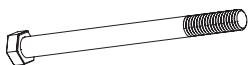

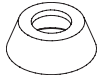
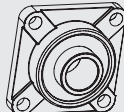
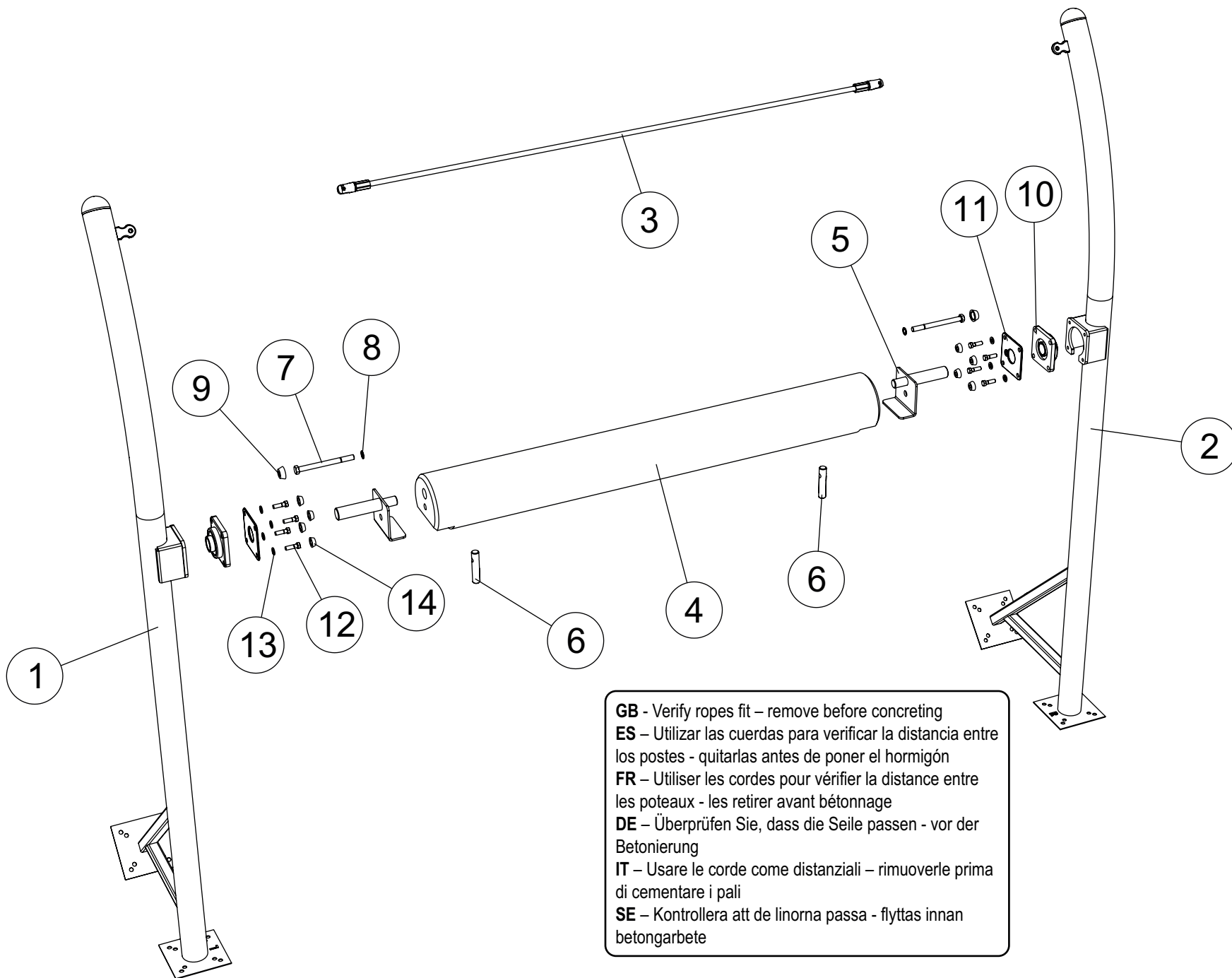



CC & BM




1	78603016	 2769 x 746 x 200mm	x1	36kg	11	78804009	 135 x 135 x 5mm	x2	0.6kg
2	78603015	 2769 x 746 x 200mm	x1	36Kg	12	10231240	 M12 x40	x8	0.05kg
3	78805036	 Ø16 x 1930mm	x1	0.60kg	13	10381200	 Ø24 x Ø13 x 2.5mm	x8	0.01kg
4	78804004	 Ø200 x 1654mm	x1	17.3kg	14	10301201	 Ø33 x Ø25 x 12.5mm	x8	0.04kg
5	78804007	 214 x 140 x 130mm	x2	2.95kg	<div style="display: flex; flex-wrap: wrap; justify-content: space-around;"> <div style="border: 1px solid black; padding: 5px; width: 20%;"> <p>S12</p>  kg 102</div> <div style="border: 1px solid black; padding: 5px; width: 20%;"> <p>S15</p>  L x W x H (m) 2.195 x 0.44 x 1.57</div> <div style="border: 1px solid black; padding: 5px; width: 20%;"> <p>S13</p>  m³ 0.77</div> <div style="border: 1px solid black; padding: 5px; width: 20%;"> <p>S14</p>  m² 10 x 10</div> <div style="border: 1px solid black; padding: 5px; width: 20%;"> <p>S6</p>  EN1176 0.6m</div> <div style="border: 1px solid black; padding: 5px; width: 20%;"> <p>S20</p>  2 x 6</div> </div>				
6	780-578	 Ø25 x 120mm	x2	0.43kg					
7	780-574	 M16 x 190mm	x2	0.34kg					
8	10301600	 M16 - Ø26 x Ø17 x 1.5mm	x2	0.002kg					
9	10301601	 Ø41 x Ø30 x 16mm	x2	0.06kg					
10	78804016	 130 x 130 x 50mm	x2	1.22kg					




S25



S2 (50mm)
≥C20-25



7 x 24h



101

