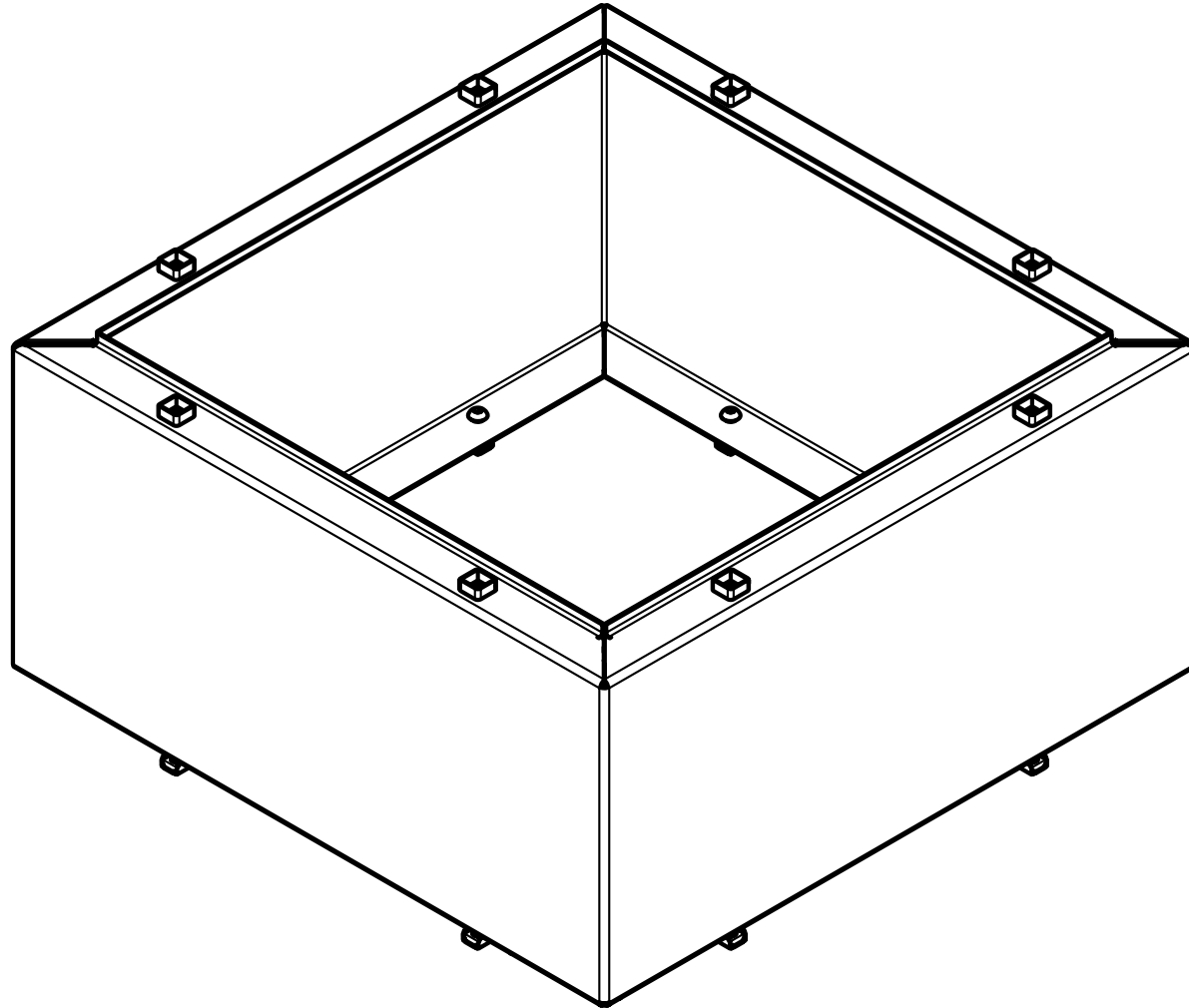
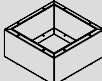
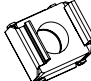



HAGS[®]

Square Extension Module

MASW78939



| | | | | |
|---|---------|---|--------------------------------|---------|
| 1 | SW78938 |  | 1x 600 x 600 x 293.5 | 25.03kg |
| 2 | 8008813 |  | 8x Nut, cage M8-t=1.8-3.2 | 0.01kg |
| 3 | 8008445 |  | 8x Screw, ISO7380-1-M8x30-10.9 | 0.015kg |

