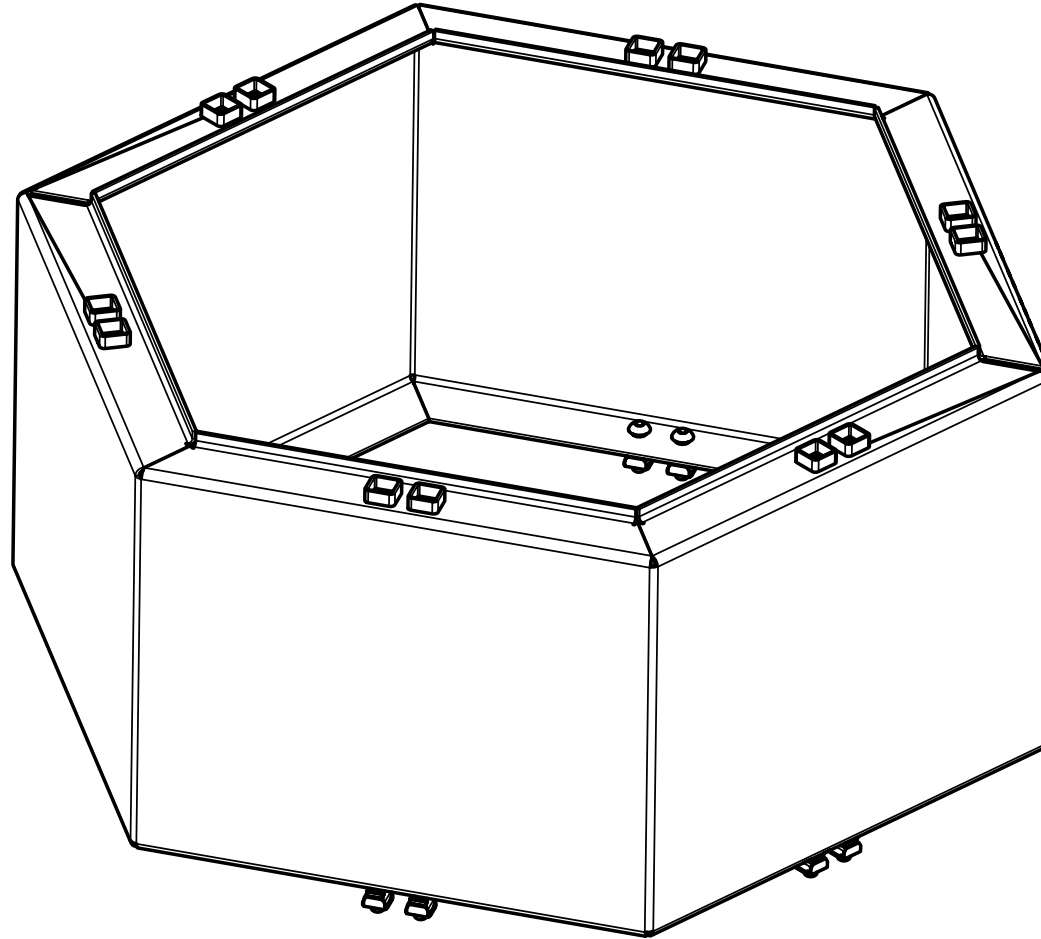
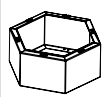
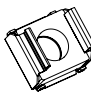



HAGS[®]

Small Hexagon Extension Module

MASW78910



1	SW78904		1x 691 x 600 x 293	14.86kg
2	8008813		12x Nut, cage M8-t=1.8-3.2	0.01kg
3	8008445		12x Screw, ISO7380-1-M8x30-10.9	0.02kg

