

1



3,5h



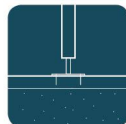
16m<sup>3</sup>



Ø4,4x1,7m



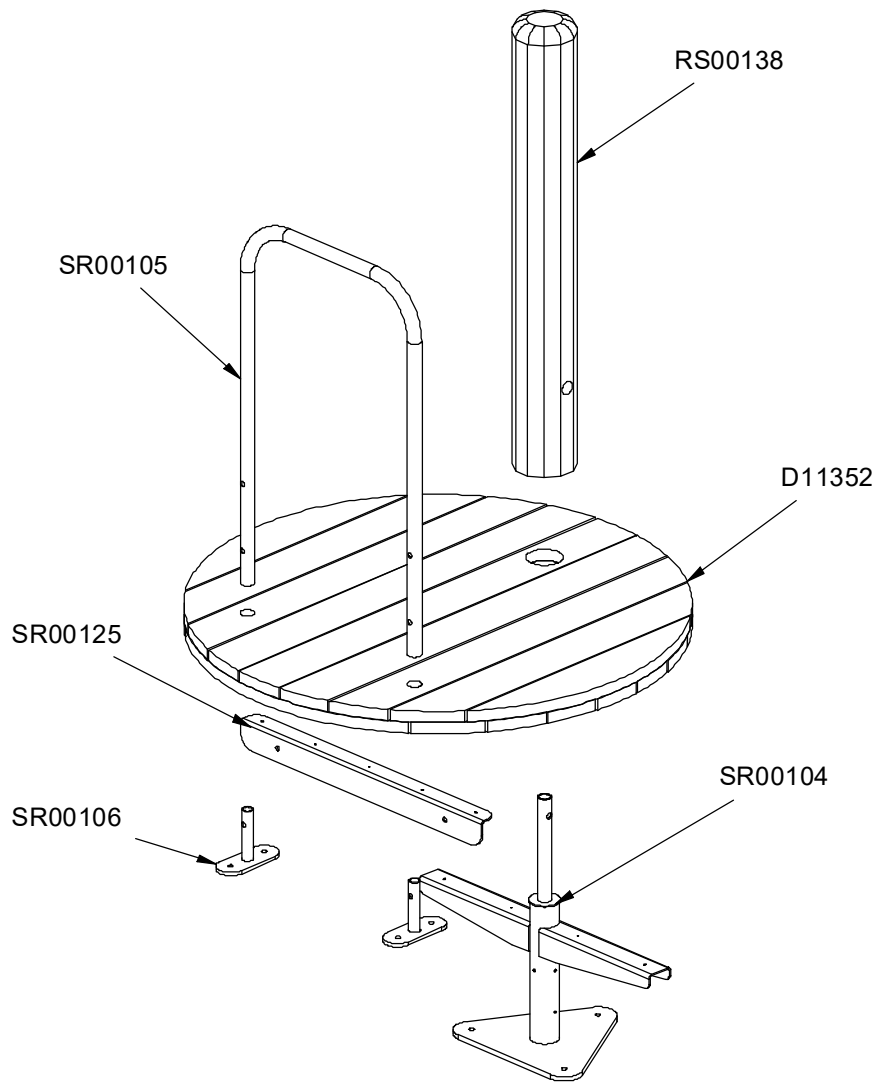
~114 kg



Ø140x5cm

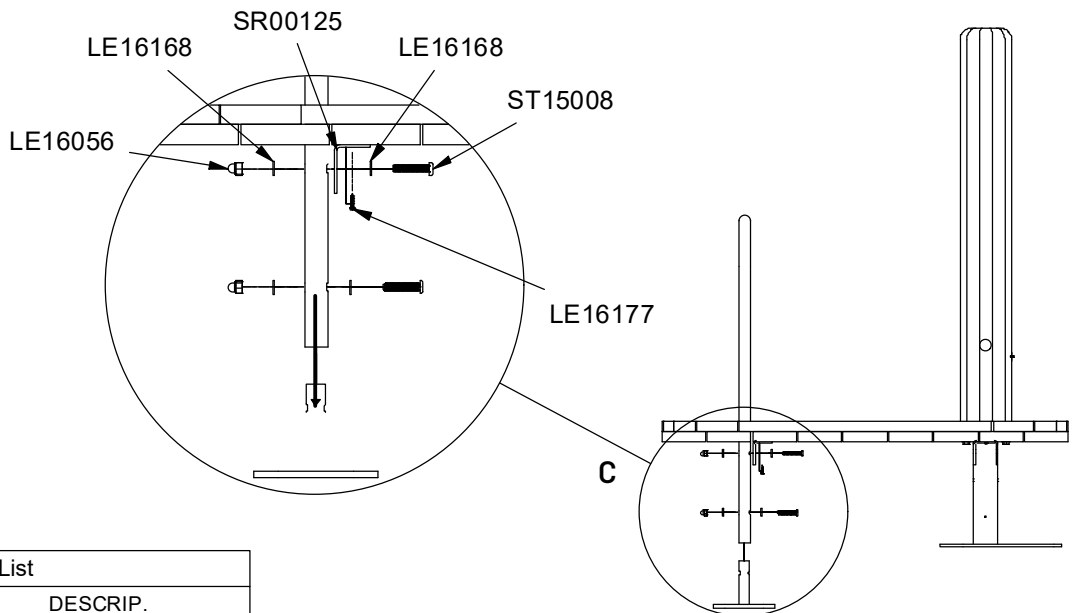
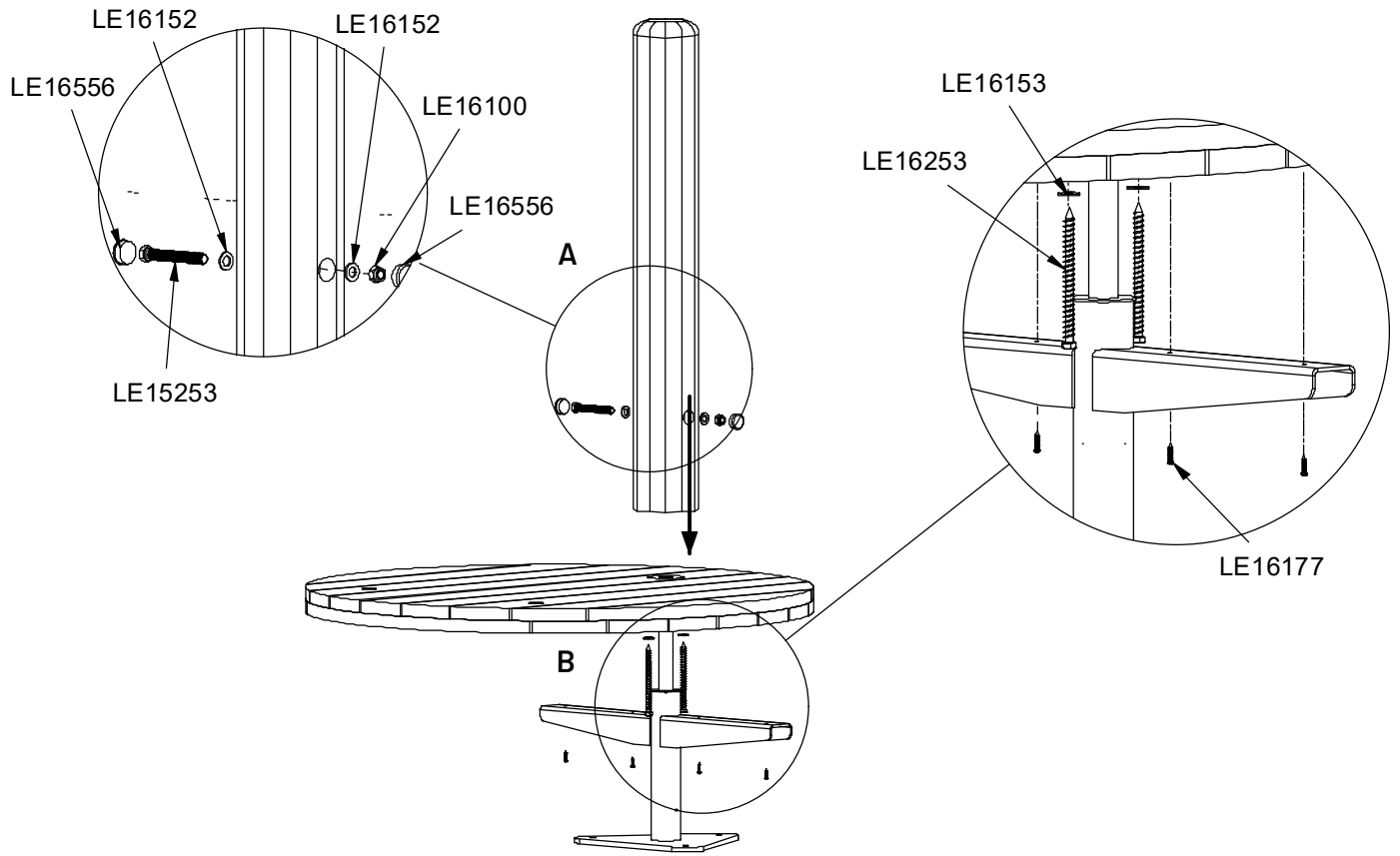


60kg

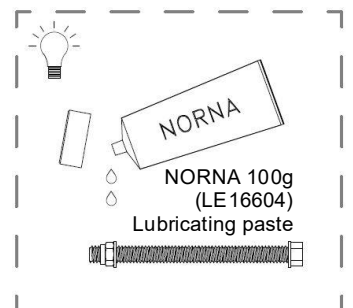


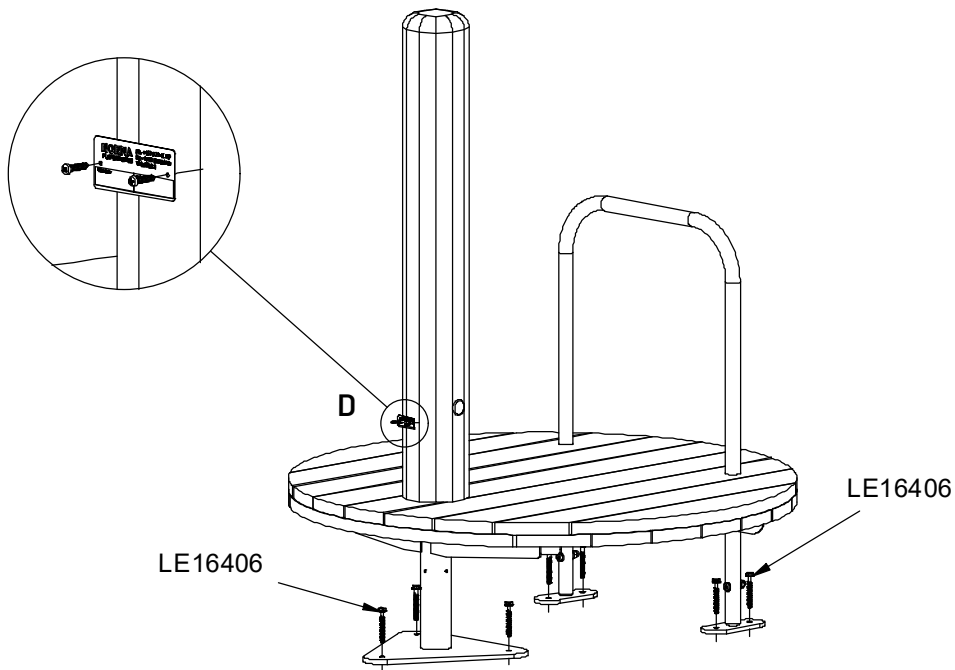
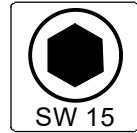
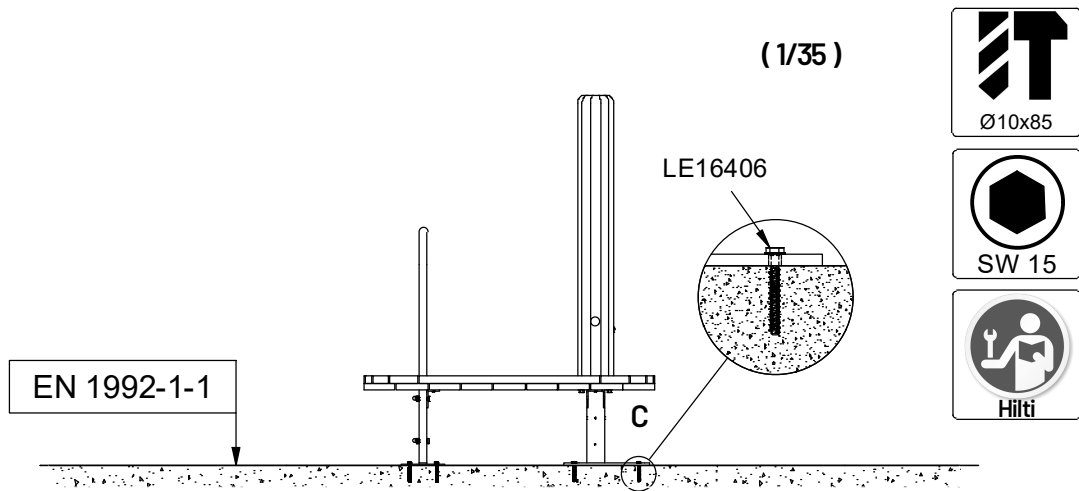
Parts List

| QTY | PART NO | DESCRIP.          |
|-----|---------|-------------------|
| 1   | D11352  | Baseplate         |
| 1   | RS00138 | Ø180x1300mm       |
| 1   | SR00104 | Ø38/80x1000x850mm |
| 1   | SR00105 | Ø38 tube          |
| 2   | SR00106 | 205x80x155mm      |
| 1   | SR00125 | 60x80x1000mm      |



| Parts List |         |              |
|------------|---------|--------------|
| QTY        | PART NO | DESCRIP.     |
| 1          | LE15253 | M16X130 mm   |
| 4          | LE16056 | M12 cap nut  |
| 1          | LE16100 | M16 nut      |
| 2          | LE16152 | M16 - Ø30 mm |
| 2          | LE16153 | M10 - Ø29mm  |
| 8          | LE16168 | M12 - Ø24 mm |
| 9          | LE16177 | 4x25 PH      |
| 2          | LE16253 | 10x180 mm    |
| 2          | LE16556 | Ø42/38mm     |
| 4          | ST15008 | M12x60 mm    |





| Parts List |         |          |
|------------|---------|----------|
| QTY        | PART NO | DESCRIP. |
| 2          | LE15901 | 3x16, PH |
| 1          | LE15910 | Name tag |
| 7          | LE16406 | 10x85 mm |