

Assembly View

## Installation Instructions

Universal Models UN8728, UN8746 and UN8747




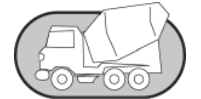
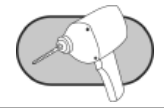


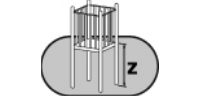
Above Ground PlayCube

1 Sided, 2 Sided and 3 Sided Connections

### Installation Preparation

Recommended Crew: ..... Two (2) adults  
 Installation Time (UN8728):..... 1 man-hour  
 Installation Time (UN8746):..... 1.25 man-hours  
 Installation Time (UN8747):..... 1.5 man-hours  
 Use Zone:..... See the master layout drawing  
 User Group Age (single cube):..... ASTM/CSA: 2-12, EN: 2-14  
 User Group Age (multiple cubes): ..... ASTM/CSA: 5-12, EN: 6-14

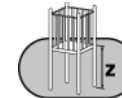
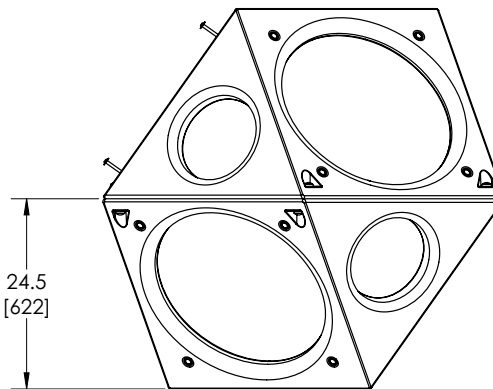
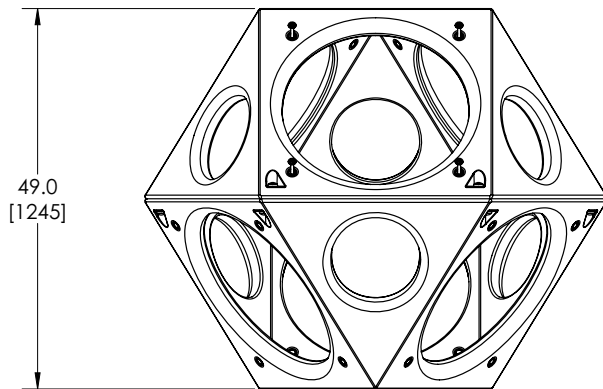
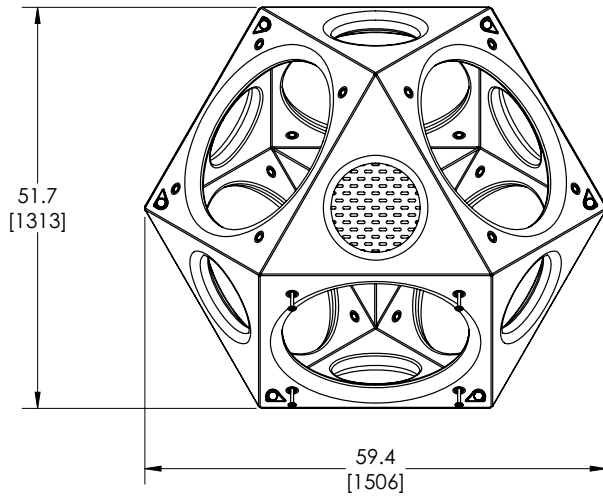
#### ICON KEY

	Fully Tighten Hardware		Add 1 Drop of Thread Locking Adhesive
	Do <b>Not</b> Fully Tighten Hardware		Pour Concrete
	Drill		Dig Footing Holes
	Hammer		Critical Fall Height

# Installation Instructions

KEY	
Position	Unit of Measurement
Top #	Inches
Bottom #	[Millimeters]

Top View



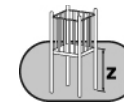
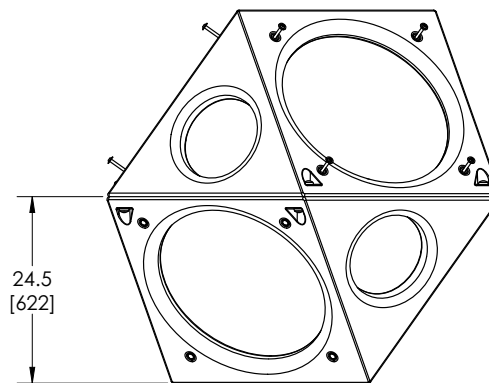
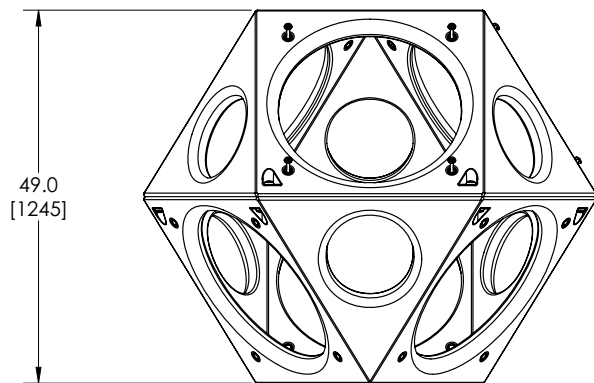
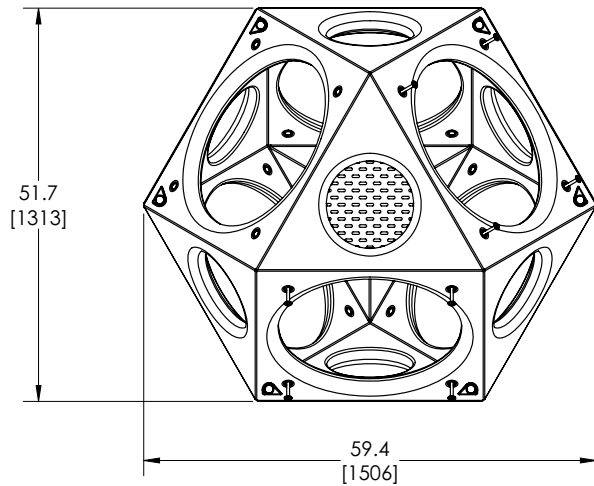
49" (1245 mm)  
Sitting as shown

Elevation Views  
UN8728

# Installation Instructions

KEY	
Position	Unit of Measurement
Top #	Inches
Bottom #	[Millimeters]

Top View



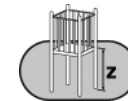
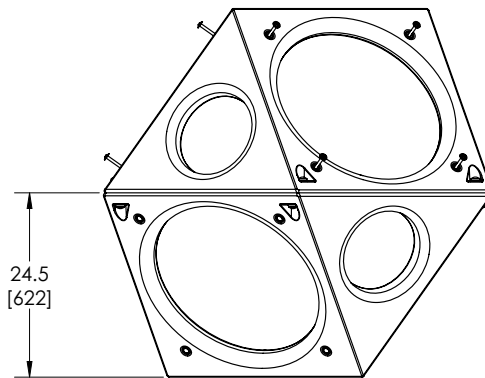
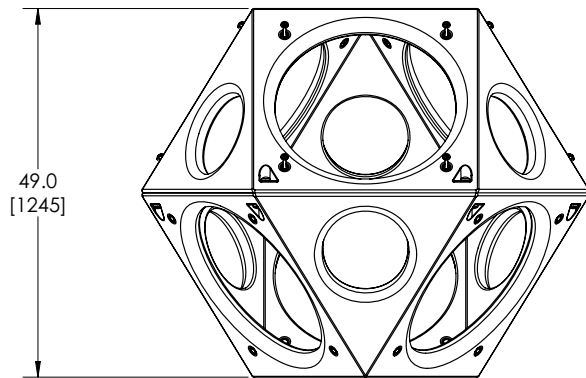
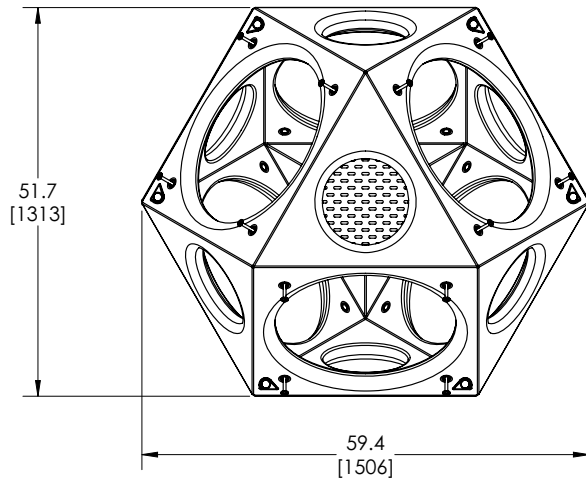
49" (1245 mm)  
Sitting as shown

Elevation Views  
UN8746

# Installation Instructions

KEY	
Position #	Unit of Measurement
Top #	Inches
Bottom #	[Millimeters]

Top View

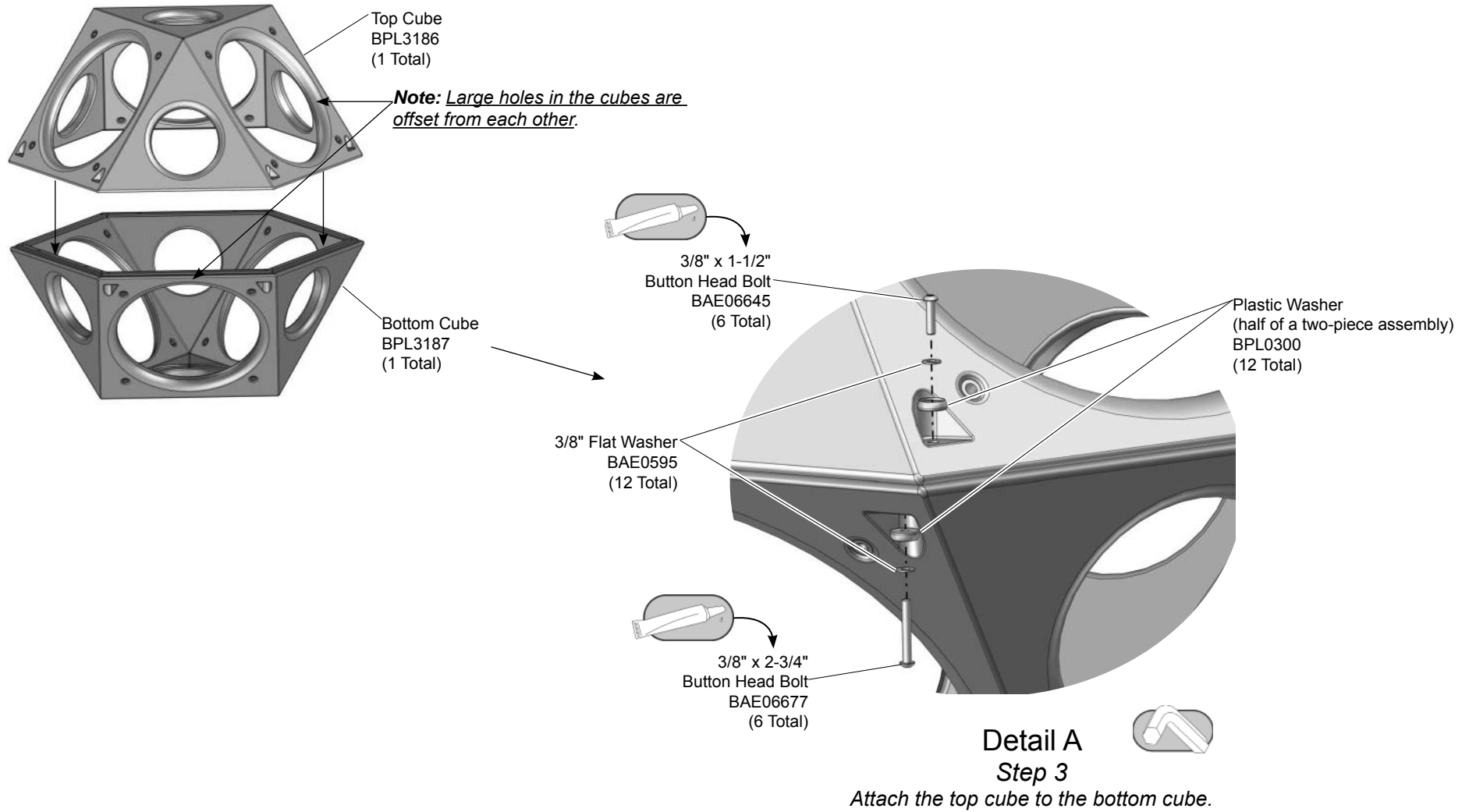


49" (1245 mm)  
Sitting as shown

Elevation Views  
UN8747

# Installation Instructions

Follow the details in alphabetical order. For clarification, each detail references the step description. The step descriptions start on page 8.



# Installation Instructions

**Existing PlayCube(s) Sold Separately**

**3/8" x 2" Button Head Bolt BAE06673 (3 Total)**

**3/8" Flat Washer BAE0595 (3 Total)**

**Perf Plate AFM7405 (1 Total)**

**3/8" Button Head Nut BAE0663 (3 Total)**

**3/8" x 3-1/4" Button Head Bolt BAE06682**  
**UN8728 (4 Total)**  
**UN8746 (8 Total)**  
**UN8747 (12 Total)**

**1" O.D. Flat Washer BAE0600**  
**UN8728 (4 Total)**  
**UN8746 (8 Total)**  
**UN8747 (12 Total)**

**3/8" Barrel Nut BAE0632**  
**(4 Total) UN8728**  
**(8 Total) UN8746**  
**(12 Total) UN8747**

**Detail B**  
**Step 4**  
*Attach the perf plate to the bottom cube.*

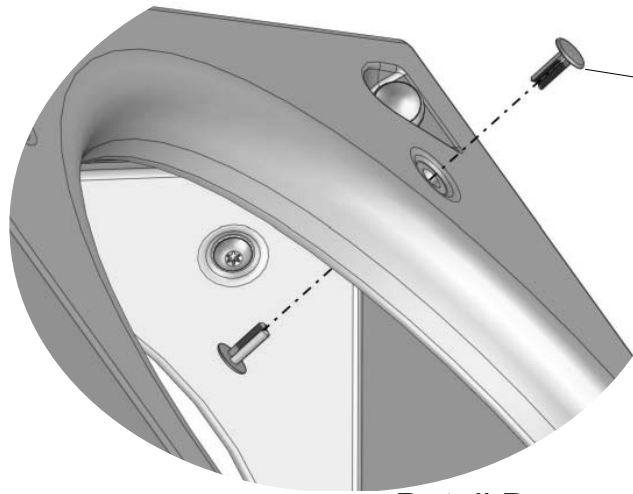
**Detail C**  
**Step 5**  
*Attach the above ground cube to an existing cube or cubes.*

**Note:** The bottom cube is shown transparent for ease of viewing the connection.

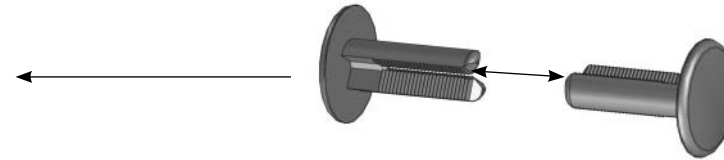
Model	Extra Hardware Provided For Attaching to Other PlayCubes
UN8728	1 Side
UN8746	2 Sides
UN8747	3 Sides



# Installation Instructions



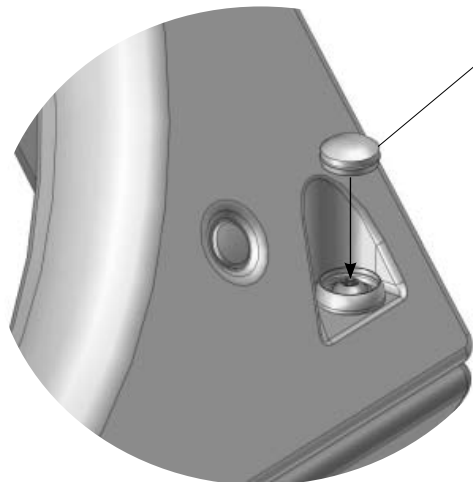
Ratchet Rivet  
BPL3194  
(40 Total) UN8728  
(32 Total) UN8746  
(24 Total) UN8747



Align rivets as shown so they interlock.

Detail D  
Step 7

Fill in the unused holes **inside** and **outside** the ground level cube.



Plastic Bolt Cap  
(half of a two-piece assembly)  
BPL0300  
(12 Total)

Detail E  
Step 8

Insert the bolt caps into the plastic washers.

# Installation Instructions

---

**Notes Before You Begin:** Do not over tighten bolts during assembly, only snug tighten them until assembly is complete. Do not install bolt caps until the structure is completely assembled and properly footed.

**Carefully read and understand these installation instructions before you begin.**

**Step 1:** Before attempting to assemble your equipment, please review all installation information carefully. Should you experience any difficulty during the installation process, please call us at the phone number shown on the last page of these instructions.

**Step 2:** Separate and identify all components and hardware. Note that extra hardware is provide for each model for attachment to other PlayCubes.

**Step 3:** Attach the top cube to the bottom cube. See **Detail A**. Place the top cube onto the bottom cube making sure the large holes are offset, apply a drop of thread locking adhesive to the bolt threads and attach as shown. Fully tighten the connections according to tightening torque specifications.

**Torque Specifications:**

*Bolts and nuts* - Snug tighten and then tighten an additional one half turn.

**Step 4:** Attach the perf plate to the bottom cube. See **Detail B**. Position the perf plate to the inside of the bottom cube and attach as shown. Fully tighten the connections according to tightening torque specifications.

**Step 5:** Attach the above ground cube to an existing cube or cubes. See **Detail C**. Position the above ground cube against the existing cube, or cubes, as indicated your layout drawing and attach as shown. *Leave connections loose until all other cubes have been attached to the structure.*

**Final Details.**

**Step 6:** Finish assembling the structure. Plumb and level the component. Tighten **all** fasteners. Fully tighten all fasteners according to tightening torque specifications.

**Torque Specifications:**

*Bolts and nuts* - Snug tighten and then tighten an additional one half turn.

**Step 7:** Fill in the unused **inside** and **outside** holes in the ground level cube. See **Detail D**. After the equipment assembly is complete, install a ratchet rivet in each unused open hole in the cube. Insert the rivet into the hole and press in place. Make sure to insert the rivets so they interlock as shown in the reference.

**Note:** This step should be executed after structure has been assembled and properly footed.

**Step 8:** Insert the bolt caps into the plastic washers. See **Detail E**. Select the plastic caps and press over the plastic flanged washers.

**Note:** The plastic caps install easier when they are warm.





## UN8728 - ABOVE GROUND PLAYCUBE - ONE SIDED CONNECTION

PART NO.	DESCRIPTION	QTY.
AFM7405	SHEET - 14.50" DIA x 12 GA w/ COATED PERF	1
BAD0085	THREAD LOCKING ADHESIVE	1
BAE0595	WASHER - 3/8" SAE FLAT	15
BAE0600	WASHER - 1" O.D. FLAT	4
BAE0632	NUT - 3/8"-16 x 1.25 BARREL w/PATCH	4
BAE0663	NUT - 3/8"-16 x 7/16" BUTTON HEAD	3
BAE0922	TOOL - TT 45 L WRENCH	2
BAE06645	BOLT - 3/8"-16 x 1.50" BUTTON HEAD - SS	6
BAE06673	BOLT - 3/8"-16 x 2.00" BUTTON HEAD - SS	3
BAE06677	BOLT - 3/8"-16 x 2.75" BUTTON HEAD - SS	6
BAE06682	BOLT - 3/8"-16 x 3.25" BUTTON HEAD - SS	4
BPL0300	CAP - 3/8" BOLT	12
BPL3186	PLAYCUBES - TOP CUBE	1
BPL3187	PLAYCUBES - BOTTOM CUBE	1
BPL3194	RIVET - RATCHET - .88" O.D. x 1.67"	40

## UN8747 - ABOVE GROUND PLAYCUBE - THREE SIDED CONNECTION

PART NO.	DESCRIPTION	QTY.
AFM7405	SHEET - 14.50" DIA x 12 GA w/ COATED PERF	1
BAD0085	THREAD LOCKING ADHESIVE	1
BAE0595	WASHER - 3/8" SAE FLAT	15
BAE0600	WASHER - 1" O.D. FLAT	12
BAE0632	NUT - 3/8"-16 x 1.25 BARREL w/PATCH	12
BAE0663	NUT - 3/8"-16 x 7/16" BUTTON HEAD	3
BAE0922	TOOL - TT 45 L WRENCH	2
BAE06645	BOLT - 3/8"-16 x 1.50" BUTTON HEAD - SS	6
BAE06673	BOLT - 3/8"-16 x 2.00" BUTTON HEAD - SS	3
BAE06677	BOLT - 3/8"-16 x 2.75" BUTTON HEAD - SS	6
BAE06682	BOLT - 3/8"-16 x 3.25" BUTTON HEAD - SS	12
BPL0300	CAP - 3/8" BOLT	12
BPL3186	PLAYCUBES - TOP CUBE	1
BPL3187	PLAYCUBES - BOTTOM CUBE	1
BPL3194	RIVET - RATCHET - .88" O.D. x 1.67"	24

## UN8746 - ABOVE GROUND PLAYCUBE - TWO SIDED CONNECTION

PART NO.	DESCRIPTION	QTY.
AFM7405	SHEET - 14.50" DIA x 12 GA w/ COATED PERF	1
BAD0085	THREAD LOCKING ADHESIVE	1
BAE0595	WASHER - 3/8" SAE FLAT	15
BAE0600	WASHER - 1" O.D. FLAT	8
BAE0632	NUT - 3/8"-16 x 1.25 BARREL w/PATCH	8
BAE0663	NUT - 3/8"-16 x 7/16" BUTTON HEAD	3
BAE0922	TOOL - TT 45 L WRENCH	2
BAE06645	BOLT - 3/8"-16 x 1.50" BUTTON HEAD - SS	6
BAE06673	BOLT - 3/8"-16 x 2.00" BUTTON HEAD - SS	3
BAE06677	BOLT - 3/8"-16 x 2.75" BUTTON HEAD - SS	6
BAE06682	BOLT - 3/8"-16 x 3.25" BUTTON HEAD - SS	8
BPL0300	CAP - 3/8" BOLT	12
BPL3186	PLAYCUBES - TOP CUBE	1
BPL3187	PLAYCUBES - BOTTOM CUBE	1
BPL3194	RIVET - RATCHET - .88" O.D. x 1.67"	32



The world needs play.<sup>®</sup>

For Customer Service, Call  
**800-233-8404** or  
**570-522-9800** OUTSIDE U.S.  
 1000 Buffalo Road • Lewisburg, PA 17837  
[www.playworld.com](http://www.playworld.com)



---

This page is  
intentionally left blank.



### Fasteners

- Inspect for loose fasteners.  
Tightening torque specifications are:  
Bolts and Nuts: Snug tighten and tighten an additional one-half turn.
- If during the maintenance process a bolt needs to be removed from a part or parts, it will be necessary to apply a drop of liquid thread lock / loctite to the bolt before reinstallation.
- Inspect for missing, worn or broken fasteners. If any missing, worn or broken fasteners are found, refer to the installation instructions for proper replacement fastener. If any damage is detected, barricade equipment to prevent use until repair is completed. Contact your sales representative immediately for a replacement part.

### Plastic Parts

- Inspect all plastic surfaces for sharp points, cracks or jagged edges. If any damage is detected and is determined to be unsafe, barricade equipment to prevent use until repair is completed. Minor burrs or sharp edges may be removed by using a sharp utility knife or block plane to remove sharp burr.

### Castings

- Inspect the castings to insure they are properly secured to the component.
- Visually inspect the castings for cracks or breakage. If any damage is detected, barricade the equipment to prevent use until repair is completed. Contact your sales representative immediately for a replacement part.

### Finish

- Inspect metal parts for finish damage.

To repair painted surfaces, sand damaged area with sandpaper and wipe clean. Mask area and paint with primer and allow to dry. Paint primed area with color-matching paint and allow to dry. Recoat area with color-matching paint if required. Drying time is approximately 8 hours between coats.

To repair the perf plate coating, contact the Playworld Systems' Customer Service Department for a coating repair touch-up kit.

### Replacement Parts

- Refer to your installation instructions to obtain replacement part number.
- Contact your sales representative or call Playworld Systems' Customer Service for a replacement part.

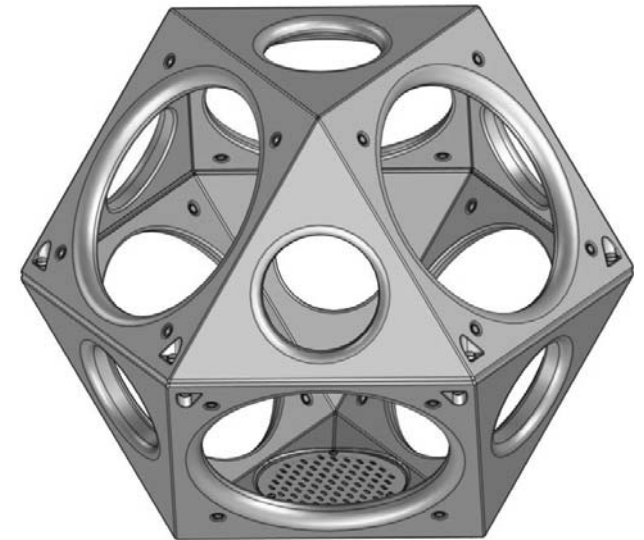
## Equipment Maintenance

Universal

Models UN8728, UN8746 and UN8747

Above Ground PlayCube

1 Sided, 2 Sided and 3 Sided Connections



# Inspection Form

## Preventive Maintenance

**... for Safety's Sake!**

- Be sure that you are using a copy of this Inspection Form and not your original.
- Use the Inspection Codes listed below and record condition of equipment at time of examination on the Inspection Checklist.
- Document any item from the Inspection Checklist that will require maintenance along with any corrective action on the Maintenance Schedule.
- Be sure to include appropriate dates and signatures on each section to properly document maintenance procedure.

### INSPECTION CHECKLIST

	Frequency	Inspection Code	Date	Date Repairs Completed
Inspect plastic parts for damage.	Medium			
Inspect for loose, missing, worn, or broken fasteners.	High			
Inspect metal parts for structural and finish damage.	Medium			

<b>Inspection Codes</b>
<b>P</b> = Pass <b>F</b> = Fail
<b>NA</b> = Not Applicable

Inspector: Name (Please Print) \_\_\_\_\_ Signature: \_\_\_\_\_ Date: \_\_\_ / \_\_\_ / \_\_\_

### MAINTENANCE SCHEDULE

Item in Question	Description of Problem	Corrective Action	Date

Repairer: Name (Please Print) \_\_\_\_\_ Signature: \_\_\_\_\_ Date: \_\_\_ / \_\_\_ / \_\_\_

