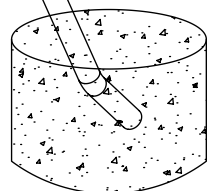
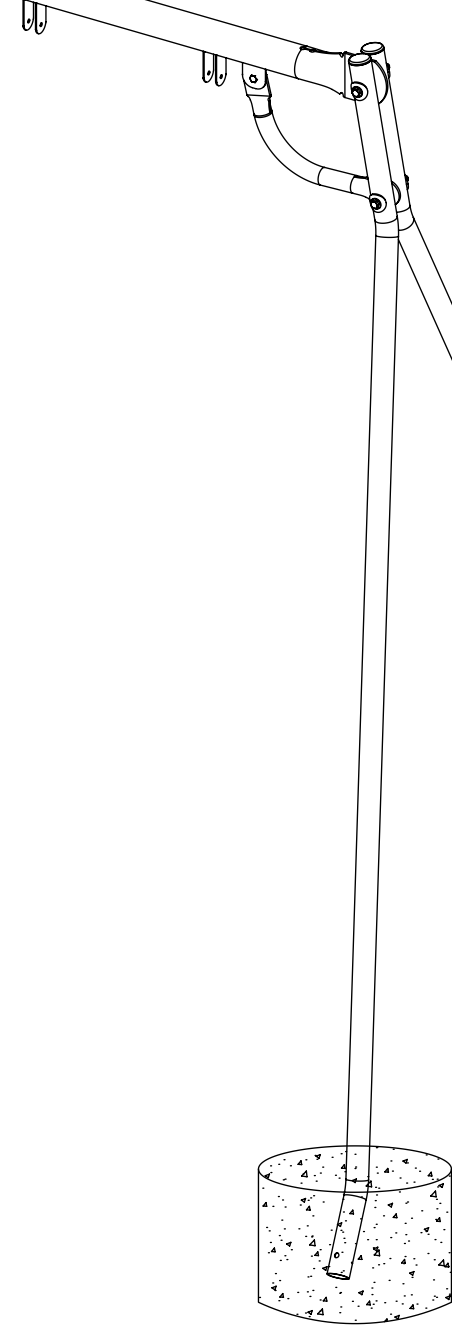

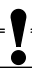
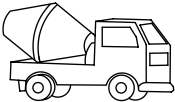

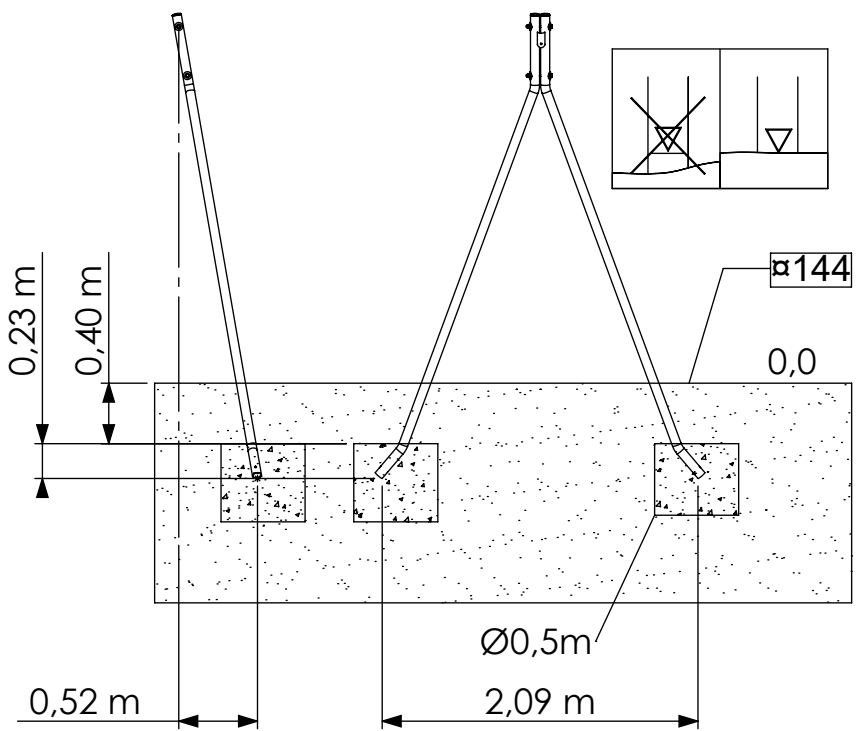
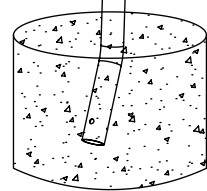




NR.	NAME/DIMENSION	QTY
1	350x350x130 mm	2
2	1900x127 mm	1
3	S4B M12, 34x34x10mm	2
4	M6S M12x40 mm	2

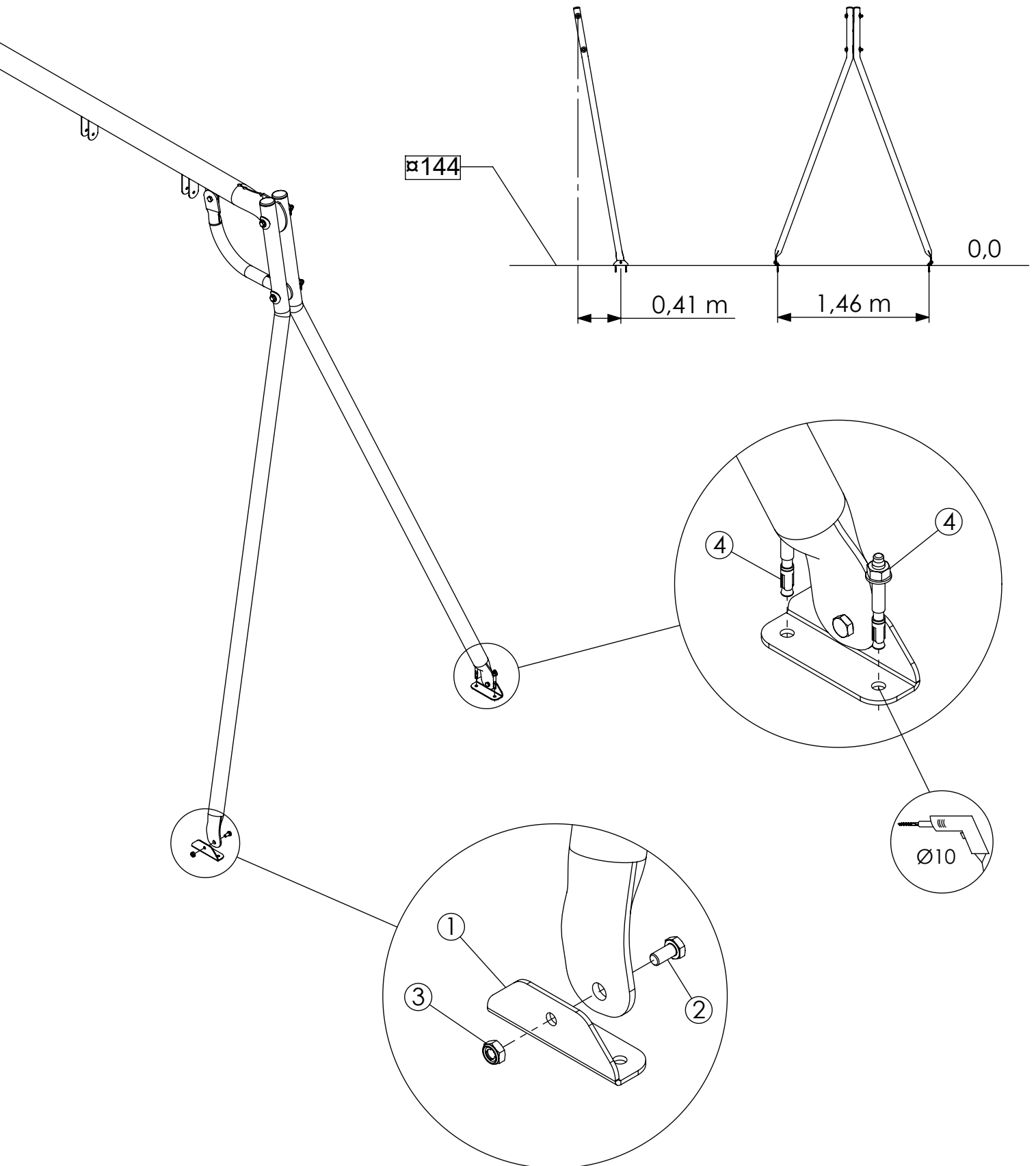
<b>HAGS</b>		ANEBY, SWEDEN +46(0)380- 47300 www.hags.com	
<b>Swing Steel</b>			
<b>1201</b>			
<b>1 ( 3 )</b>			
	NN		AA
2022-12-19		7	



 4x24h	
	
>C20/25 S1-S3	
	101



<b>HAGS</b>		ANEBY, SWEDEN +46(0)380-47300 www.hags.com	
<b>Swing Steel</b>			
<b>1201</b>			
<b>2 ( 3 )</b>			
	NN		AA
2022-12-19		7	



NR.	Description MA	Qty
1	Angle profile	2
2	Screw, ISO4017-M10x20-8.8	2
3	Nut, Fujilok-M10-8-RingA2	2
4	Expansion anchor M10x86 HDG	4

<b>HAGS</b>		ANEBY, SWEDEN +46(0)380-47300 www.hags.com	
<b>Swing Steel</b>			
<b>1201</b>			
<b>3 ( 3 )</b>			
	NN		AA
		2022-12-19	7