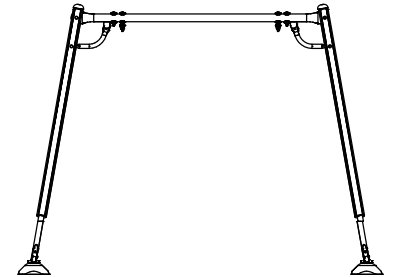









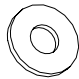





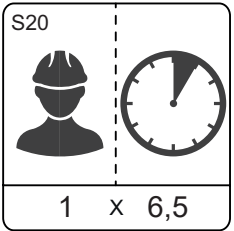
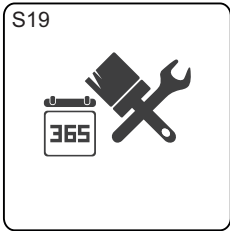
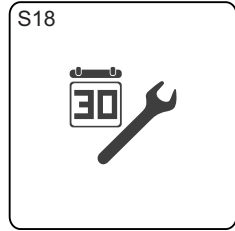
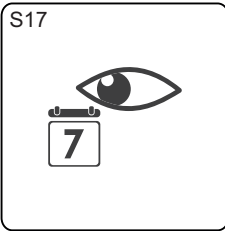


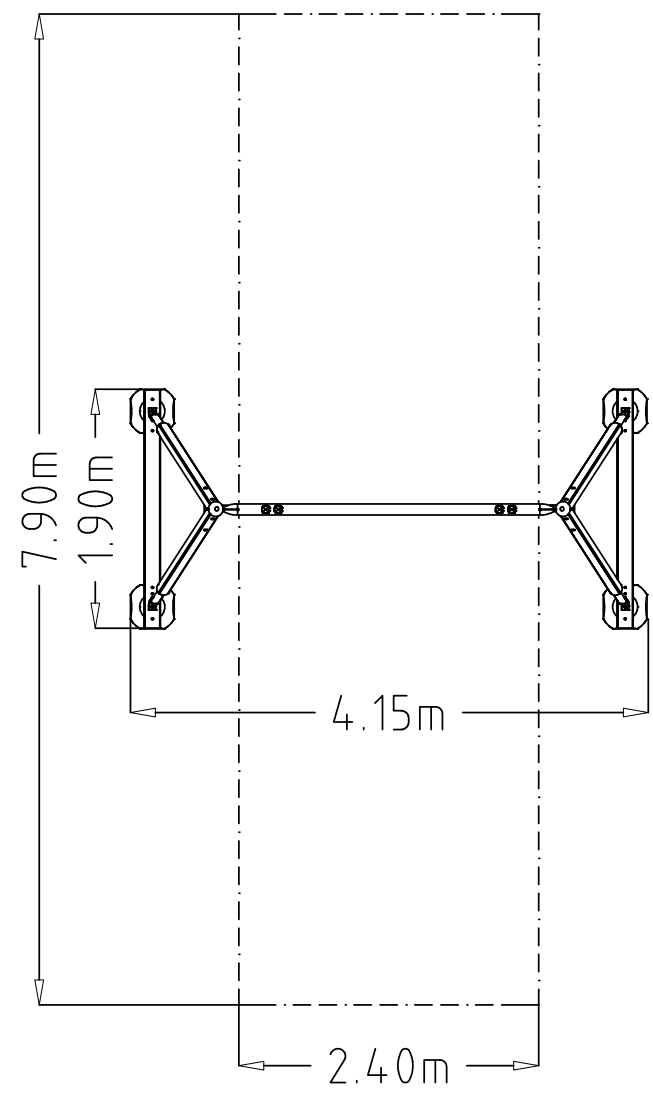
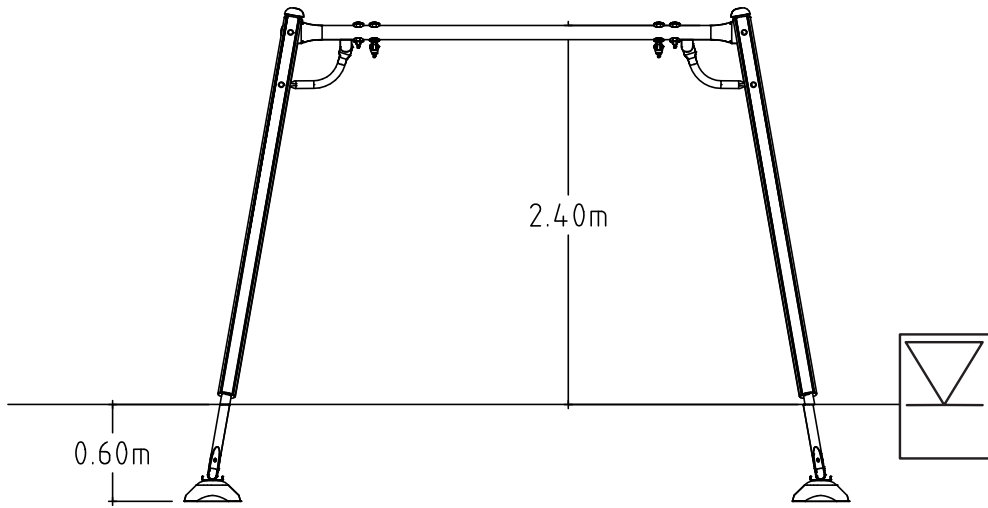
**CC**

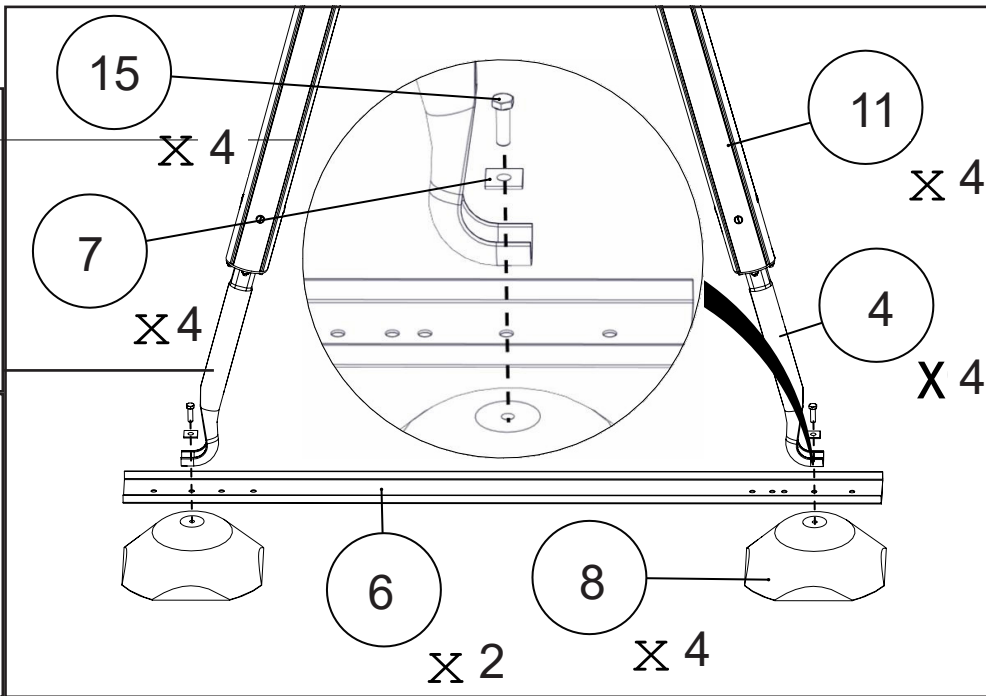
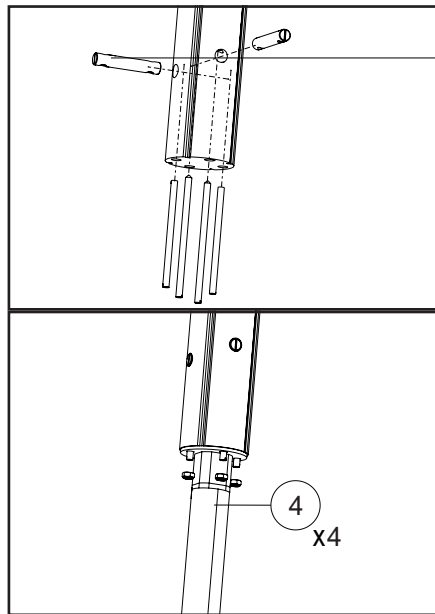
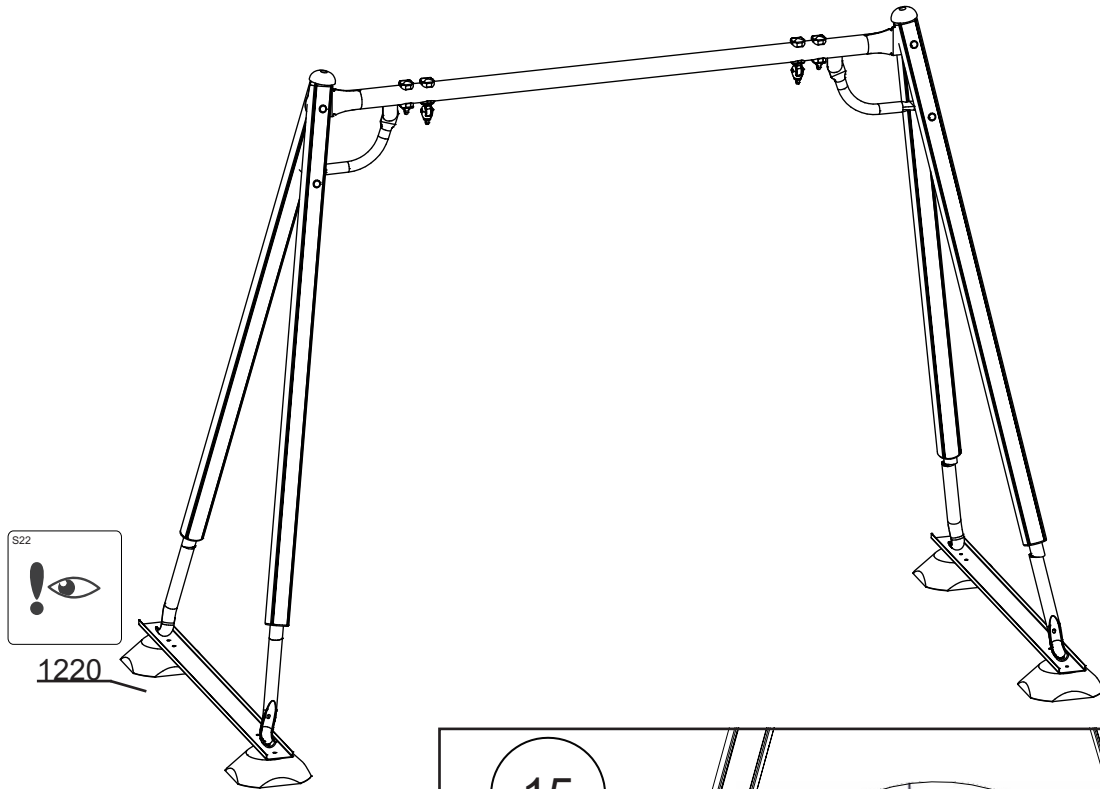


1	SW80894		1x L=3257	34.48kg
2	SW71678		2x	0.291kg
3	32-03249		2x 500x430x300 mm	2.86kg
4	SW80999		4x	9.56kg
5	33-03891		2x 1900x127 mm	6.25kg
6	8005537		8x Ø35x20 mm	0.01kg
7	43-06052		4x S4B M12, 34x34x10mm	0.07kg
8	31-01835		4x 350x350x130 mm	18.1kg
9	8042811		4x ISO7042-M12-8	0.018kg
10	8008834		10x Ø12,5x30x3 mm	0.01kg
11	SW73082		4x Ø108.5 x 2495 mm	7.40kg
12	8008425		2x ISO4014-M12x130-8.8	0.1317kg

13	8008421		4x ISO4014-M12x90-8.8	0.0961kg
14	8008411		2x ISO4017-M12x30-8.8	0.0429kg
15	8008414		4x ISO4017-M12x40-8.8	0.0518kg



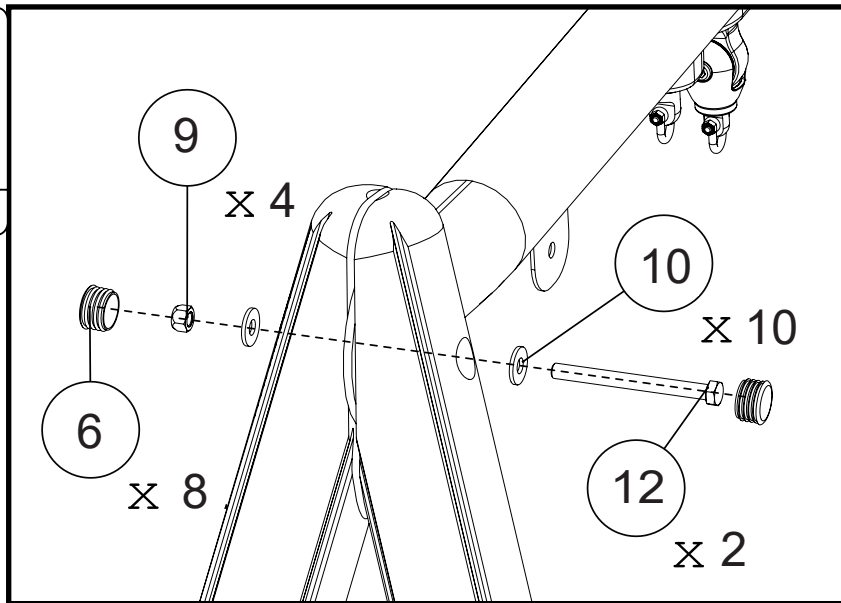




S11



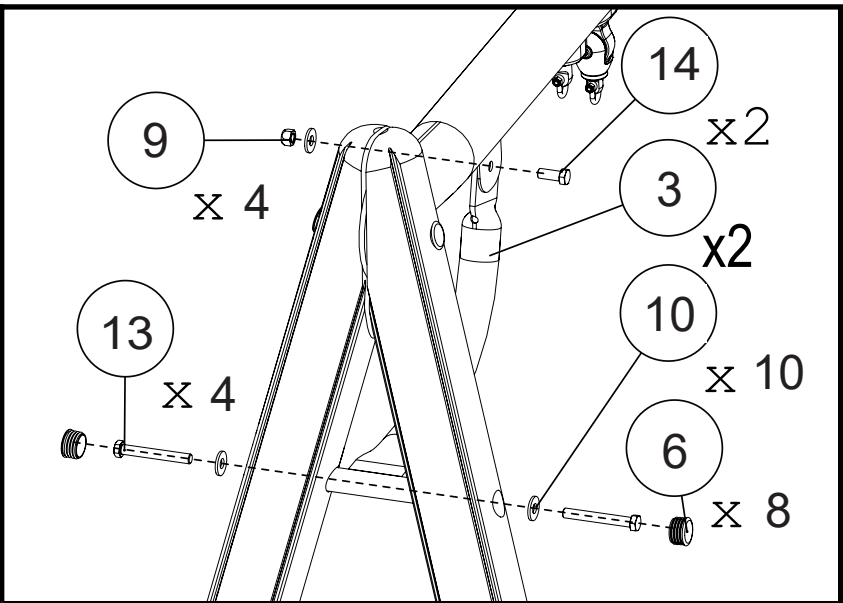
Nm  
81nM



S11



Nm  
81nM



S22



1227

