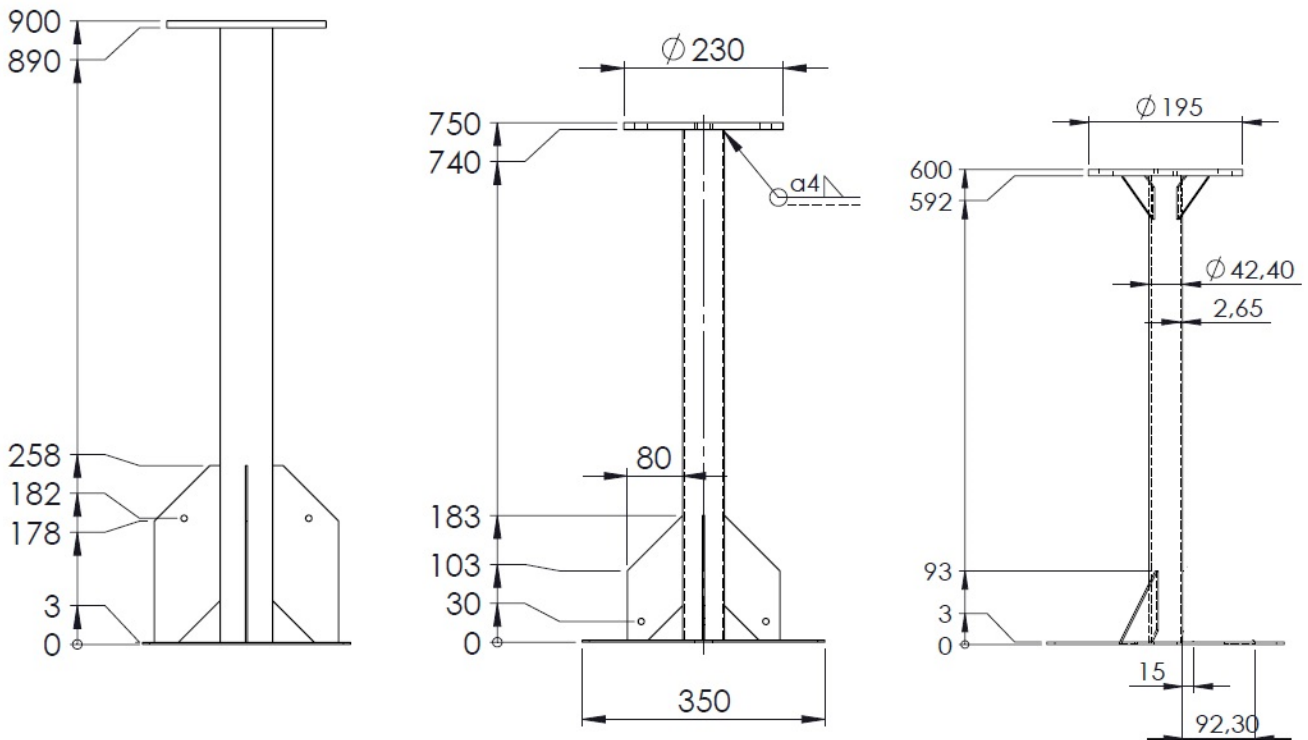


Installation of Denfit StreetWorkout

In soft surface

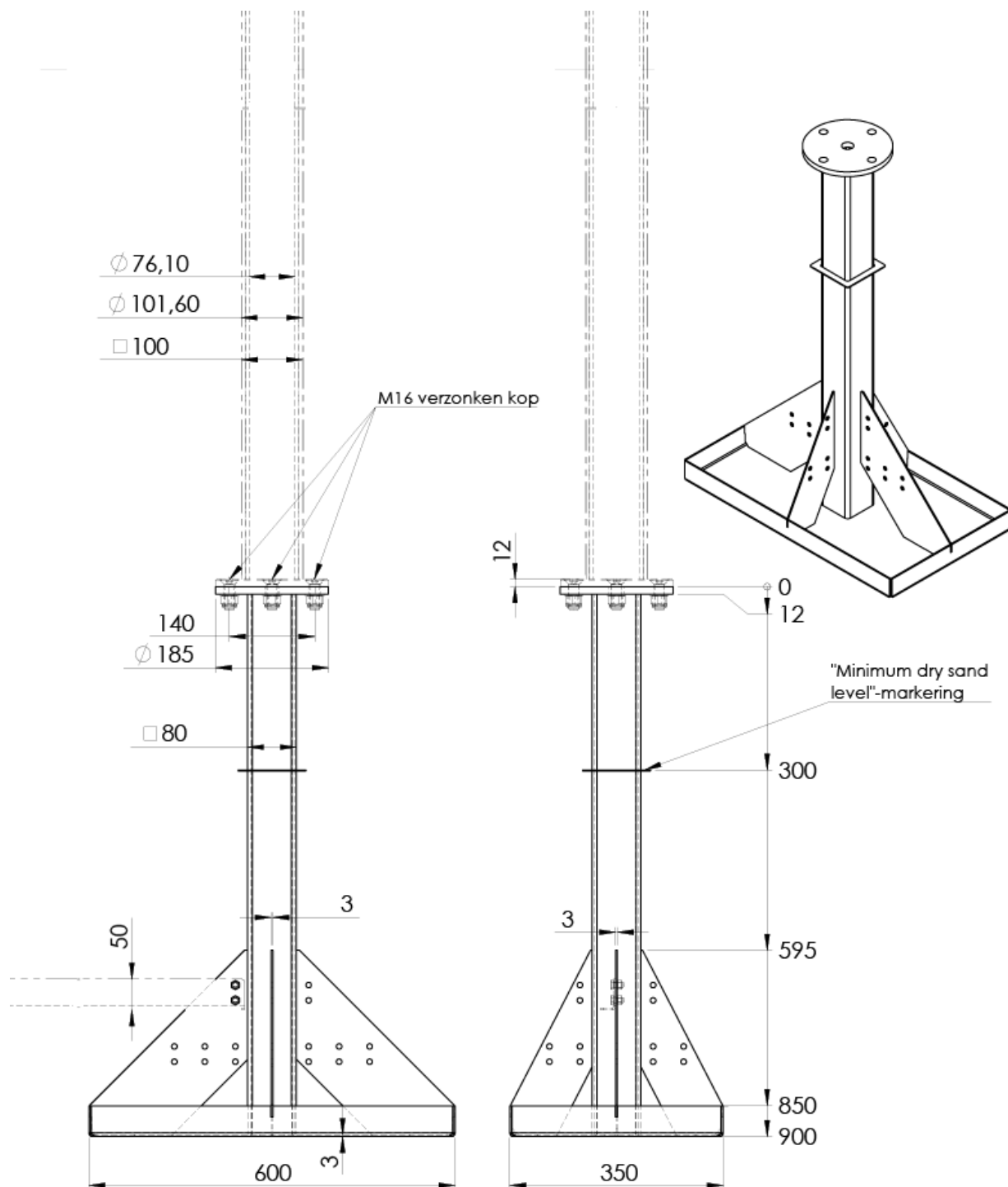
The Street Workout units are installed on separate foundation frames that are placed 900, 750 or 600 mm into the ground:



Make sure that the frames are completely level and connect the frames with the connecting strips.



To ensure stability of the product, the baseplate of the installation frame must be covered with a minimum of 600, 450 or 300 mm of dry sand up to the minimum dry sand level mark. Only do this after the post has been anchored to the frame.



To ensure the correct bar height, dry sand or loose filling (fall protection like bark mulch, woodchip, gravel or Playtop) must be applied up to the surface level (= footplate of the post).

The height between the Minimum dry sand level and the footplate is 300 mm (maximum possible fall protection).

Attach the post with the footplate on the installation frame.



The posts, bars and tubes on the posts are labelled:



The numbers on the bars and tubes match with each other. Make sure you connect the same numbers.

When the bar is installed between the posts screw in the security bolt halfway by hand. Then do the adjustments and make sure that the posts are completely level and straight.



Tighten the security bolts completely **ONLY** when the posts are level and then close the hole with sand, at least until the dry sand level marking.



Fill up the location with the desired fall protection:



The result is a perfect Street Workout location!