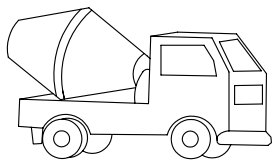


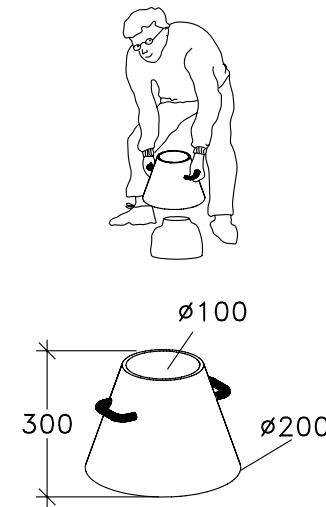
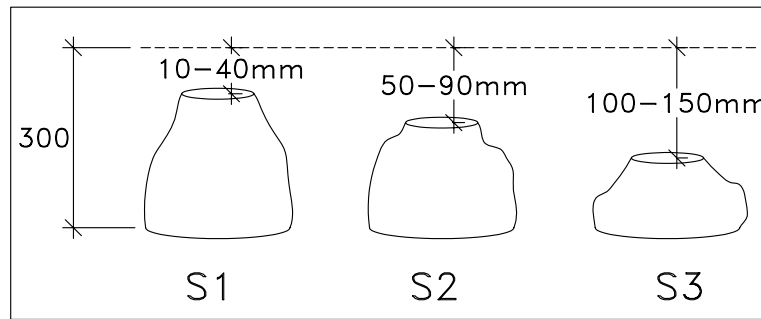
XxXh !



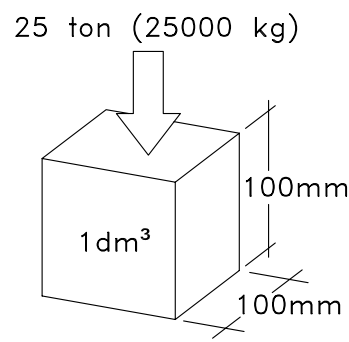
S1-S3
>C20/25

101

S1-S3
(EN 206-1)



≥C20/25
(EN 206-1)



HAGS ANEBY, SWEDEN
+46(0)380-47300
www.hags.com

Concrete quality
101
1(1)

MN TJ 2008-02-08 1

(For US/CAN market)

2000 PSI (minimum)
3000 PSI (minimum if freezing conditions)

