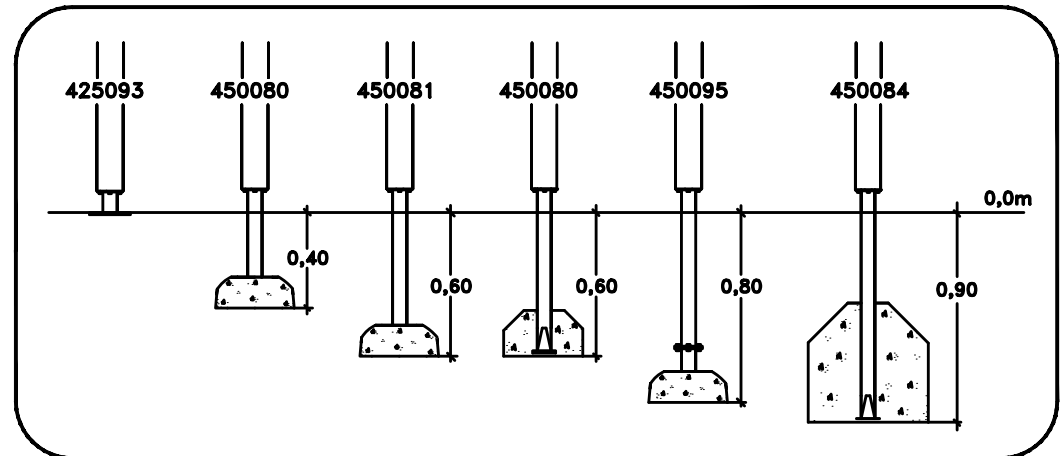
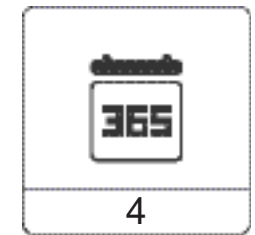
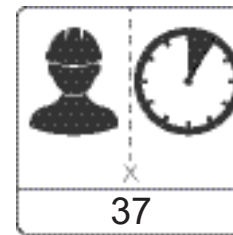
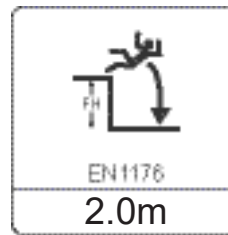
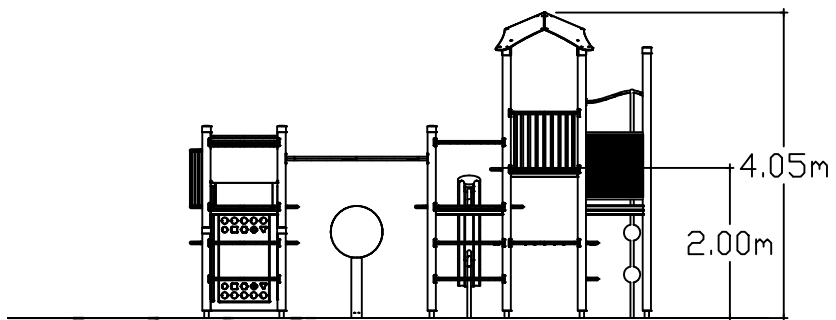
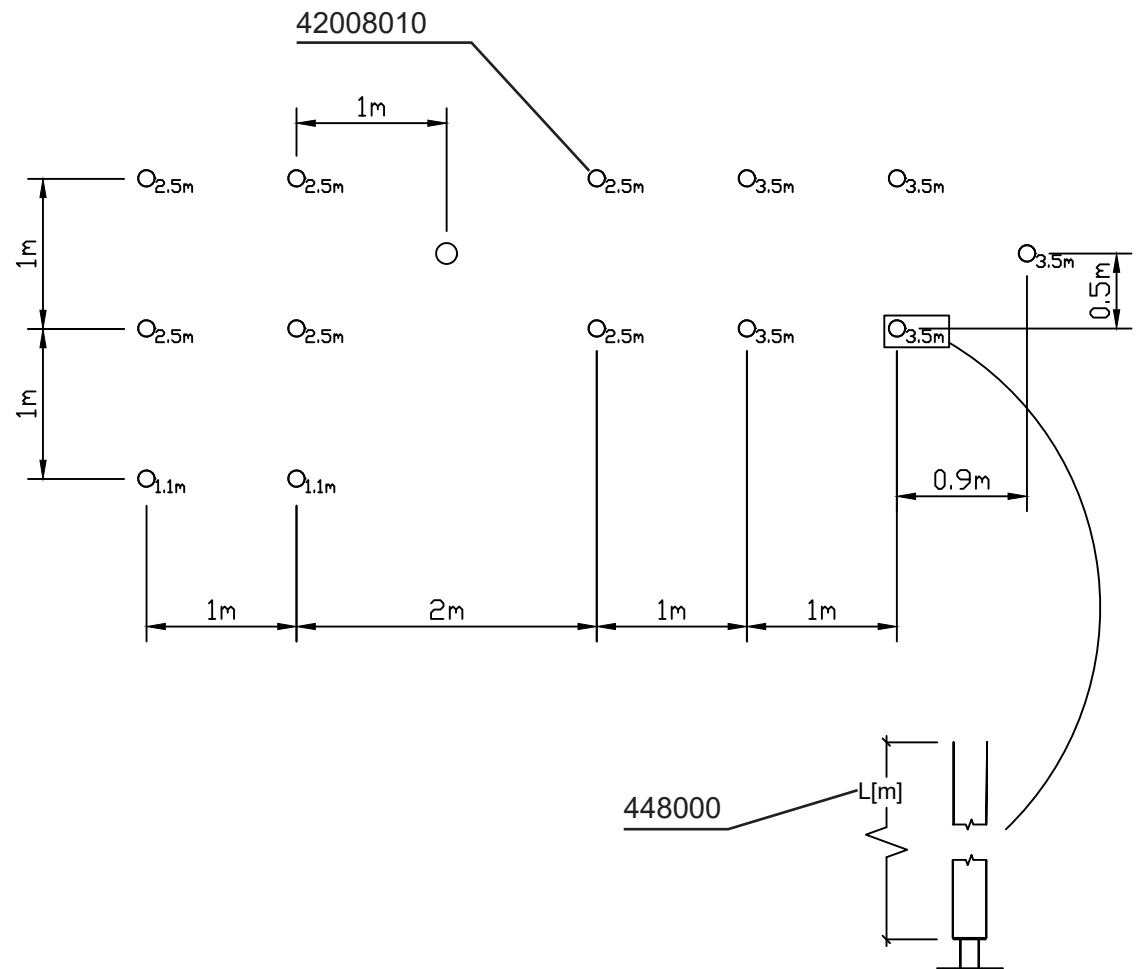
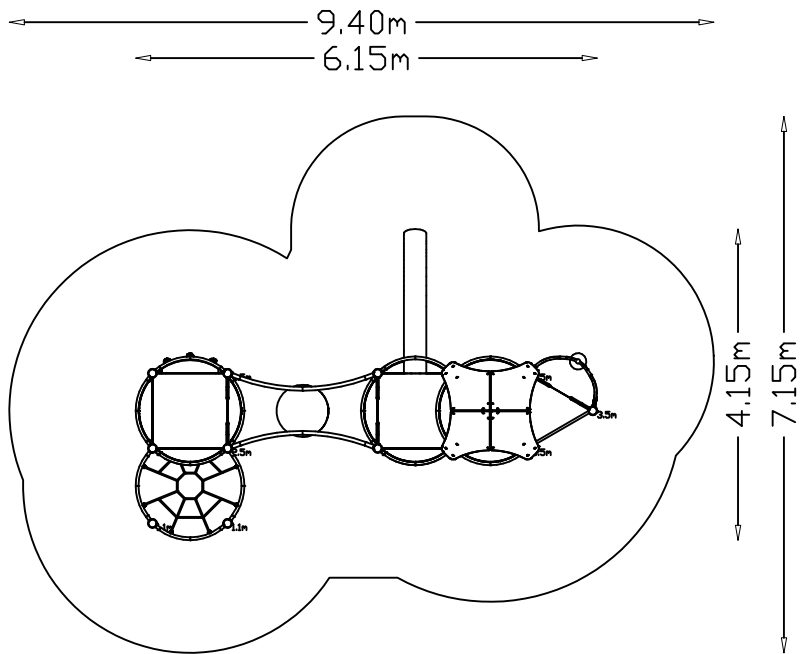
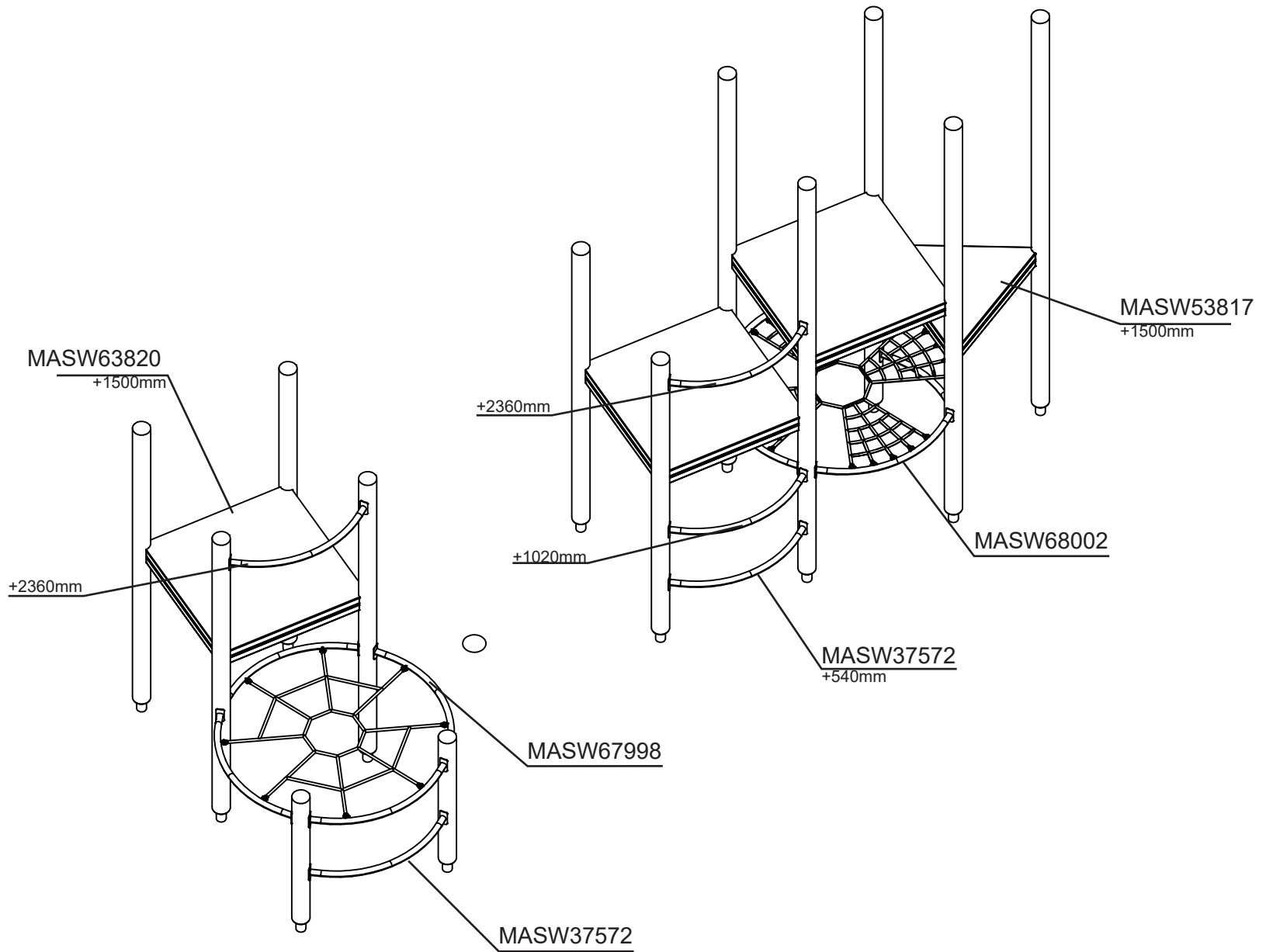
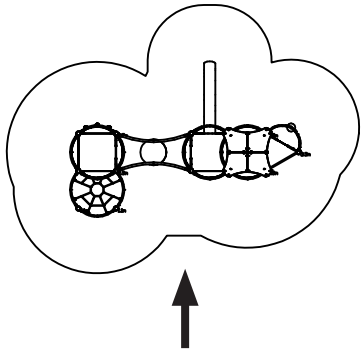
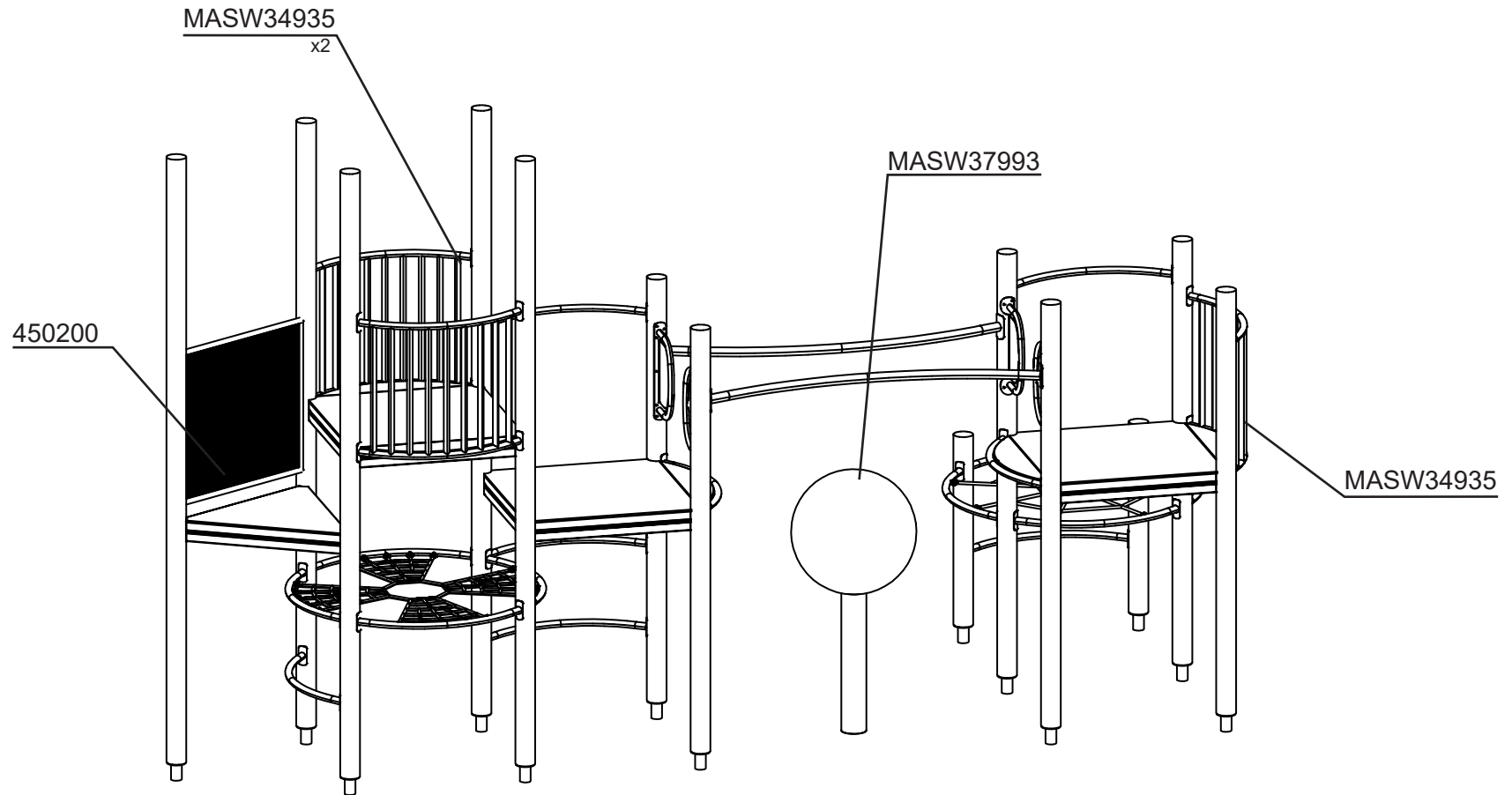
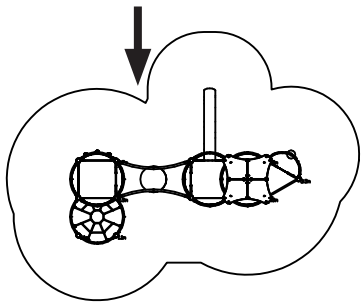


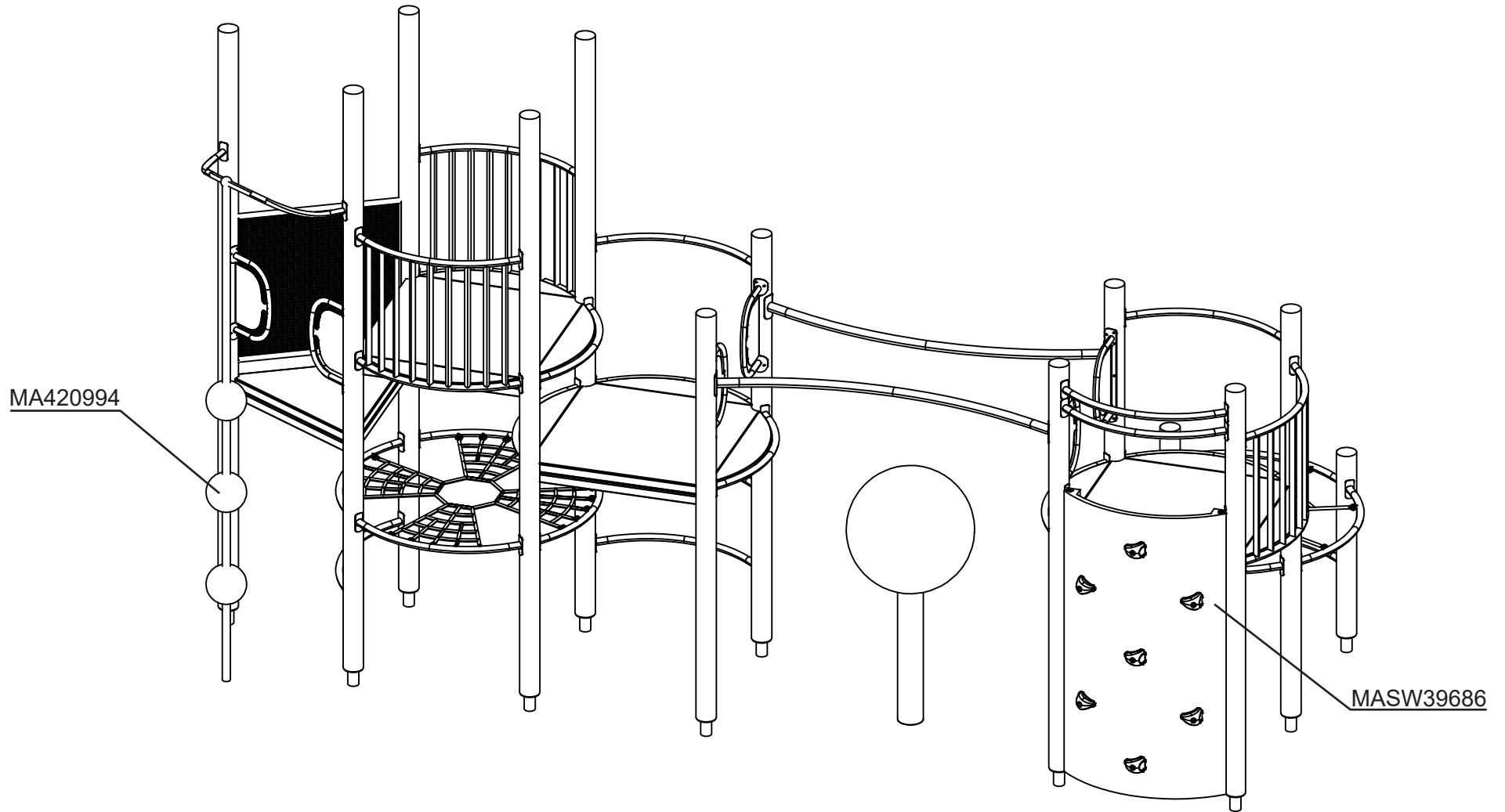
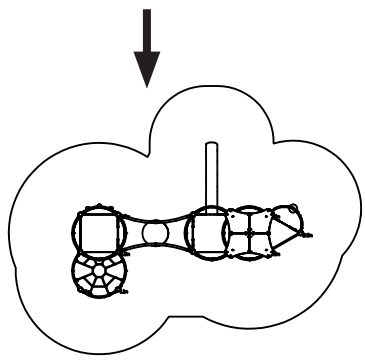
448000
42008010
MA426162
MA426121
MASW66998
MASW37572
MASW65775
420200
MASW34935
MASW37993
MA420994
MASW39686
MASW39102
MASW39775
260329

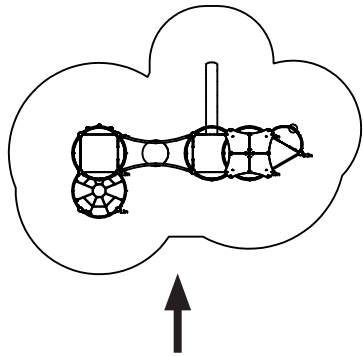












MASW41284

MASW39102

MASW39775
x9

! 260329

MA4SW35168
x3