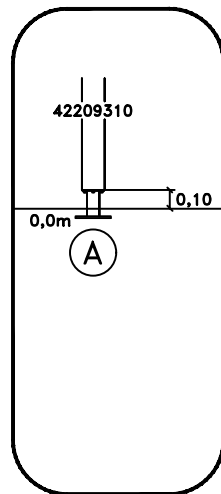
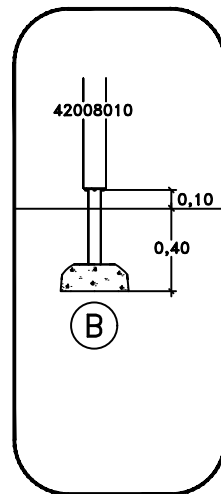


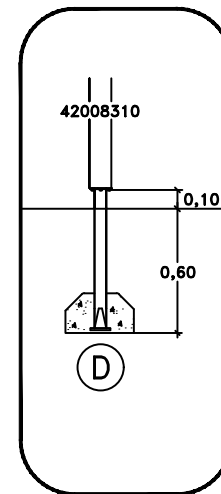
**260329**  
**448000**  
**8028454**  
**8052079**  
**42008010**  
**42060310**  
**42060522**  
**42060740**  
**42060742**  
**42093813**  
**44803903**  
**MA420994**  
**MASW25822**  
**MASW35156**  
**MASW39102**  
**MASW39775**  
**MASW5330**  
**MASW53811**  
**MASW67311**  
**MASW67663**  
**MASW67690**  
**MASW67845**  
**MASW68508**  
**MASW68658**



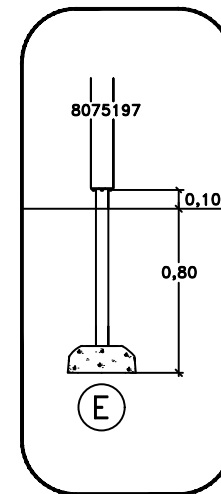
**OM**  
**Above Ground**  
 8071386



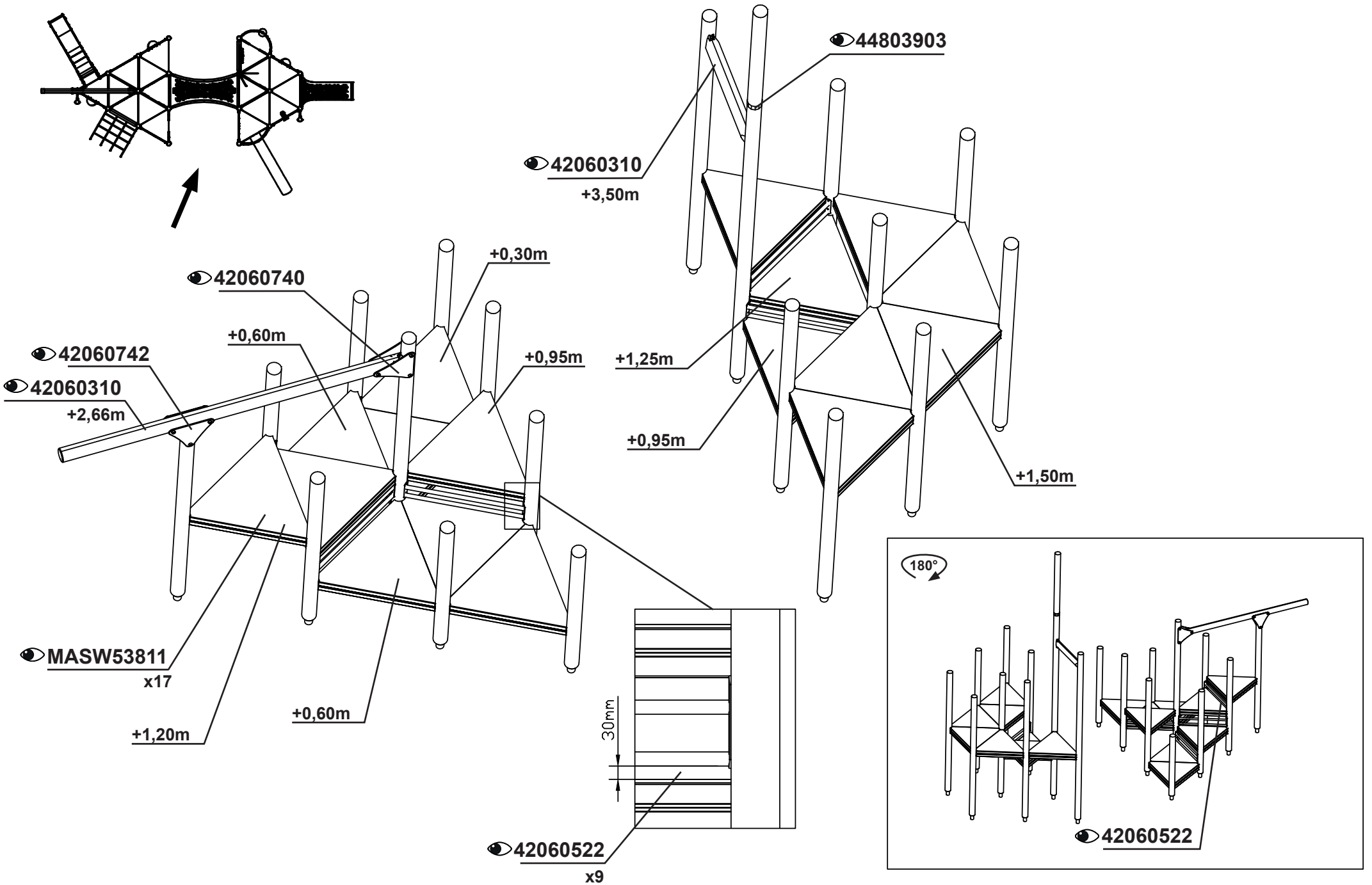
**SF**  
**Sunken Foundation**  
 8071072

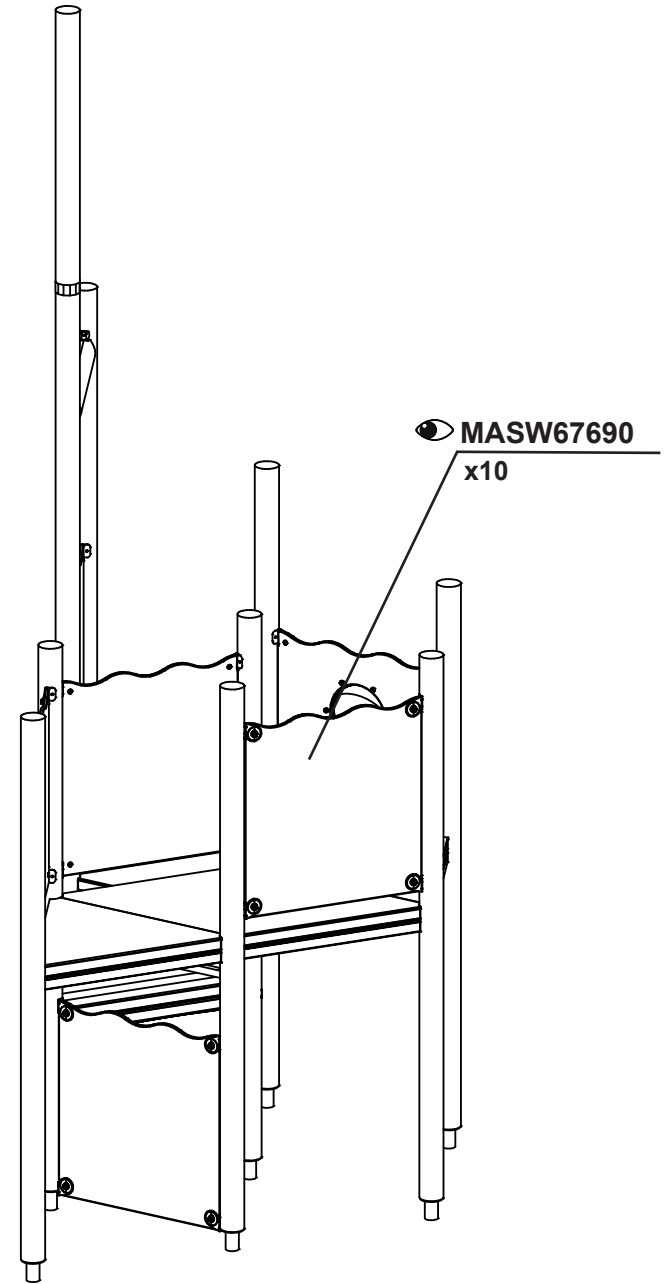
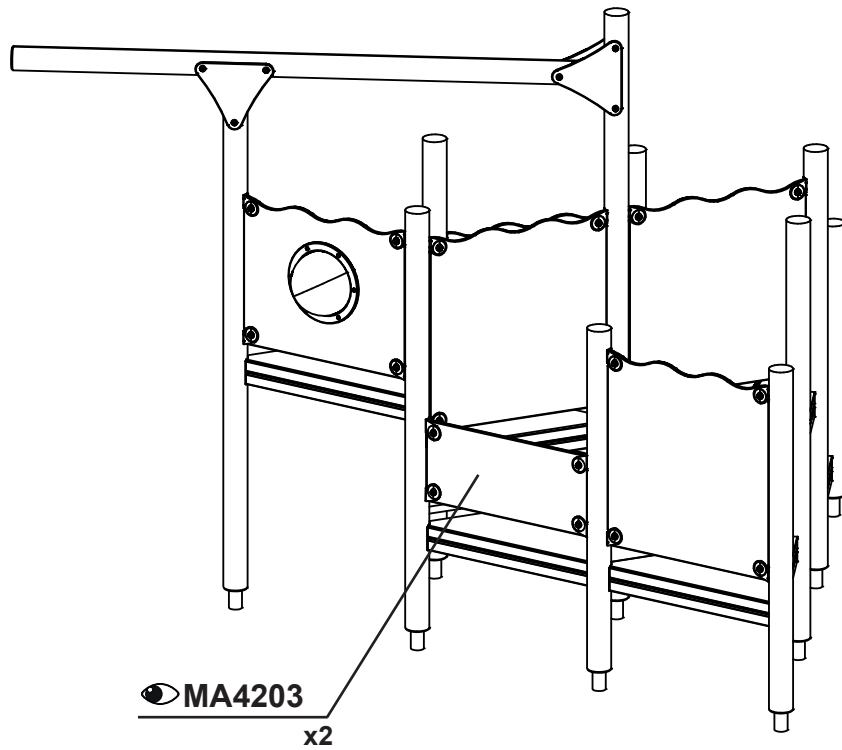
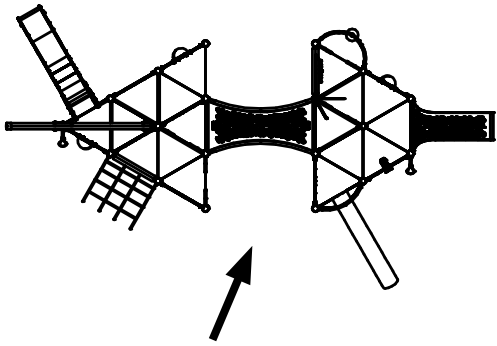


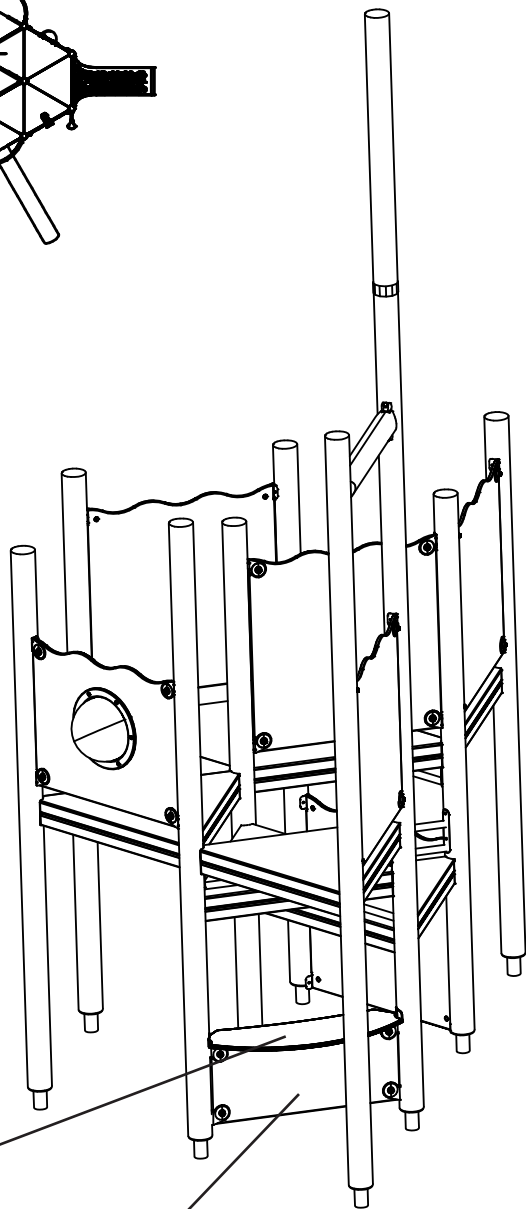
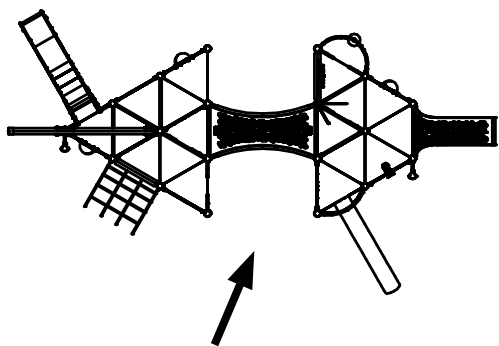
**CC**  
**Cast In Place**  
 8071393



**BM**  
**Loosefill**  
 8071369



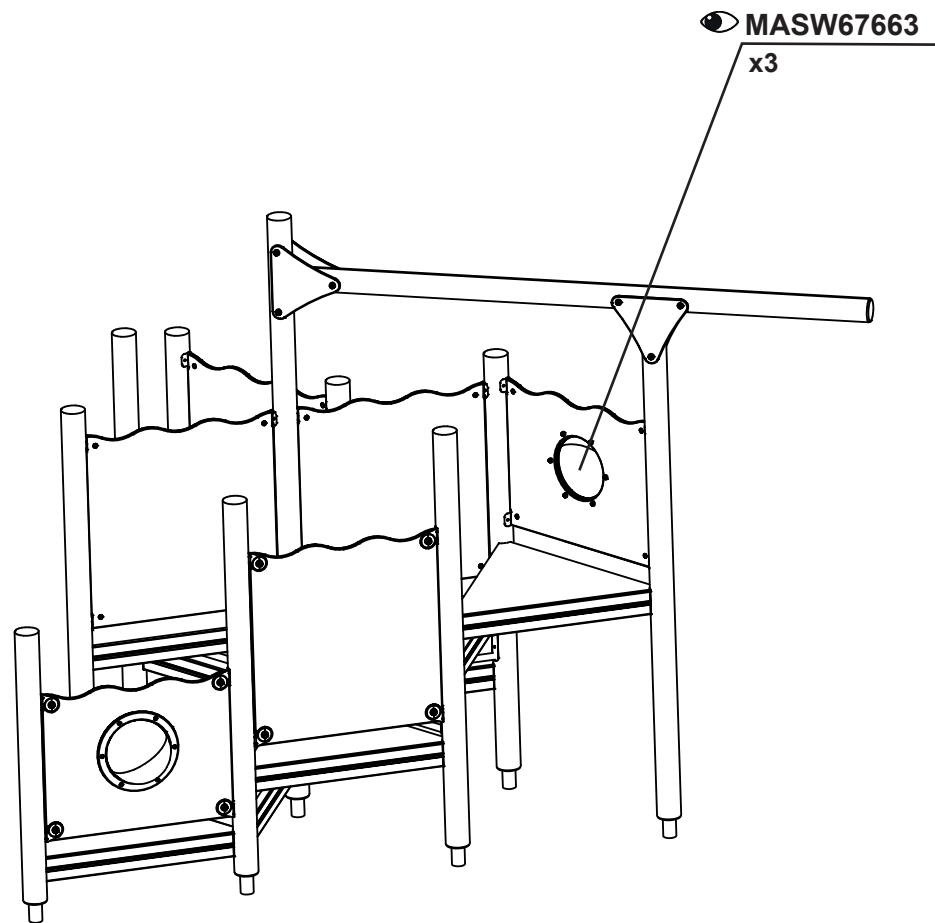




● MASW5330

+0,55m

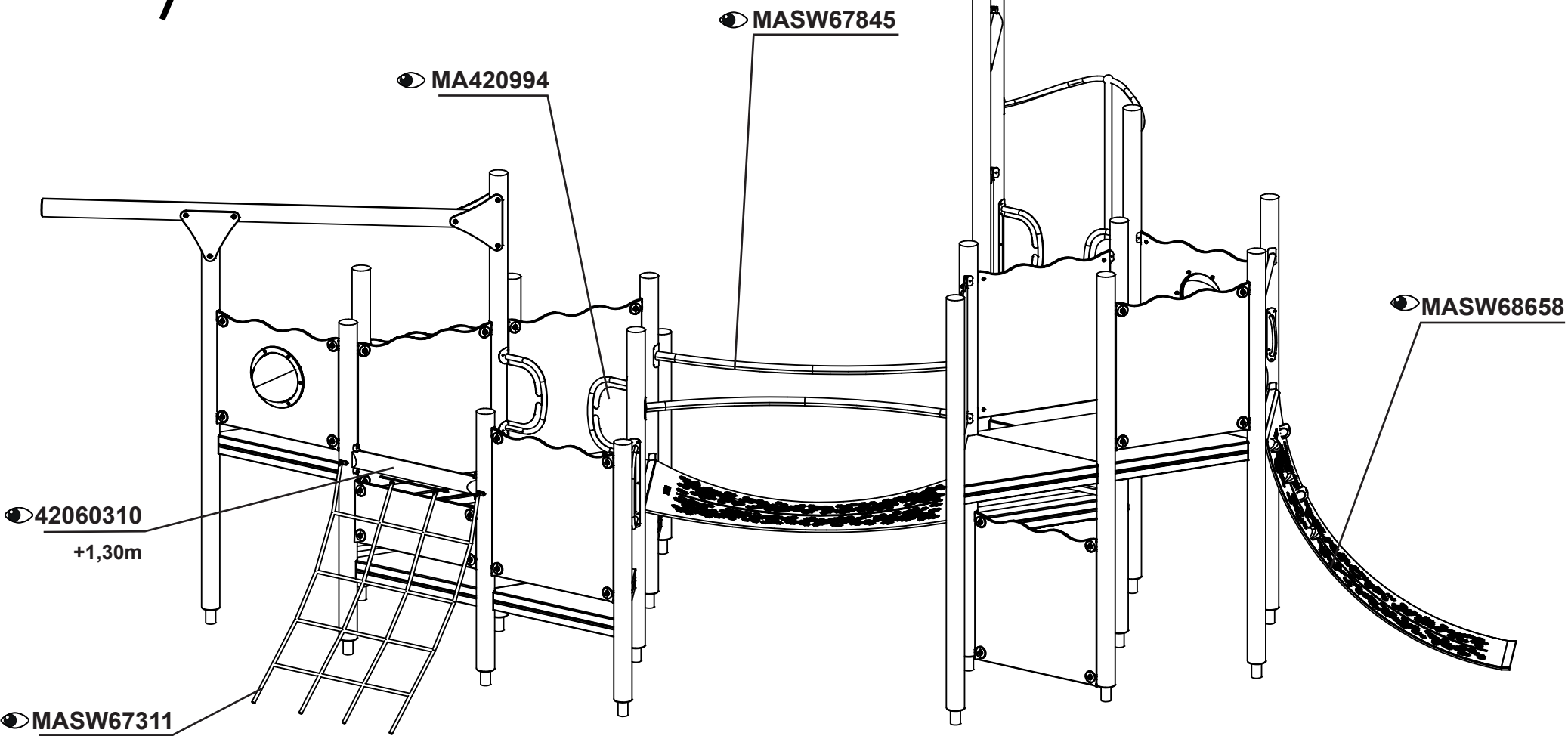
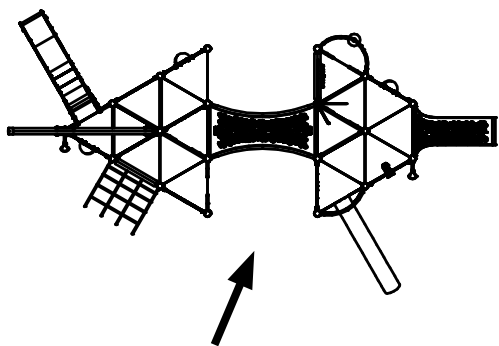
● MA4203

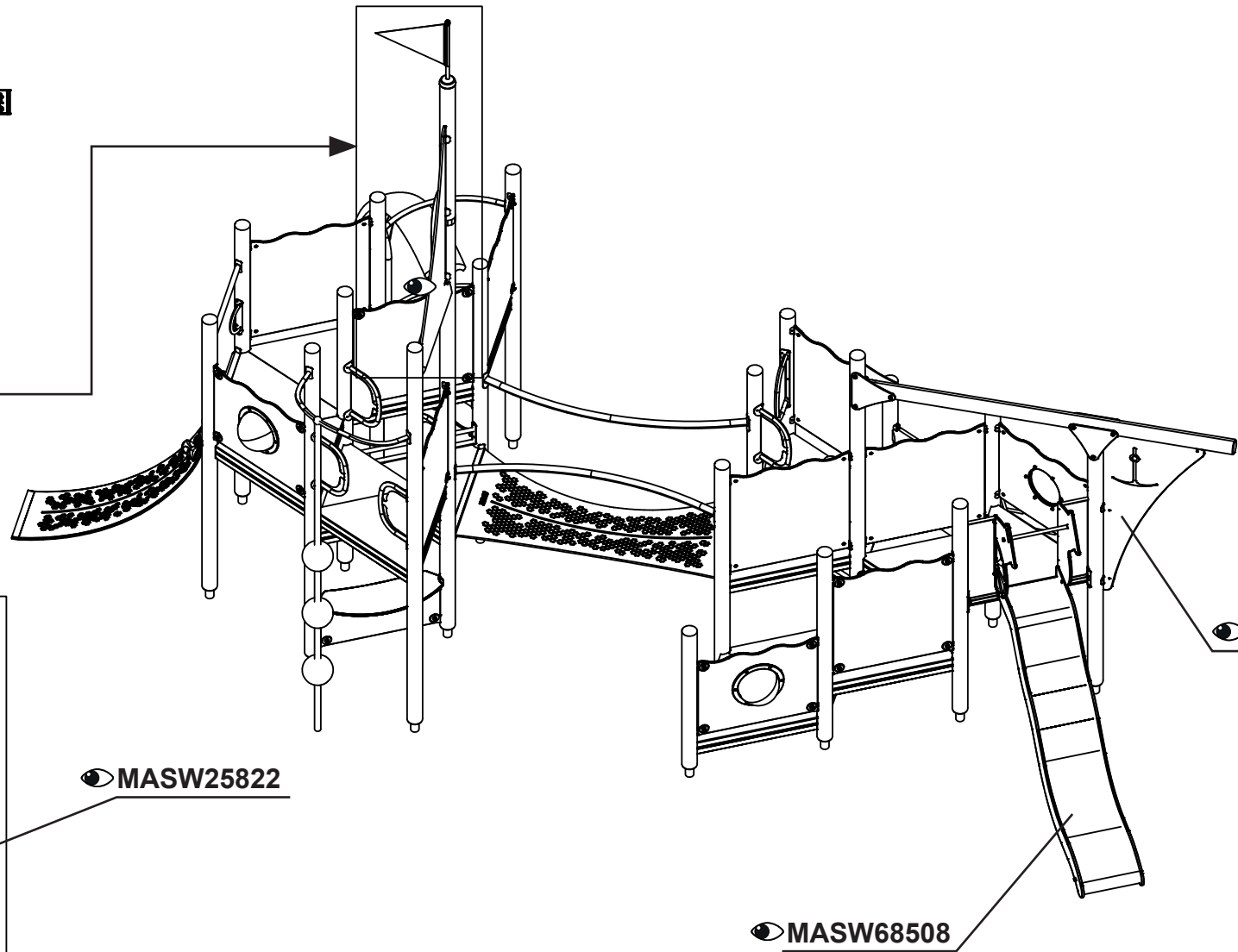
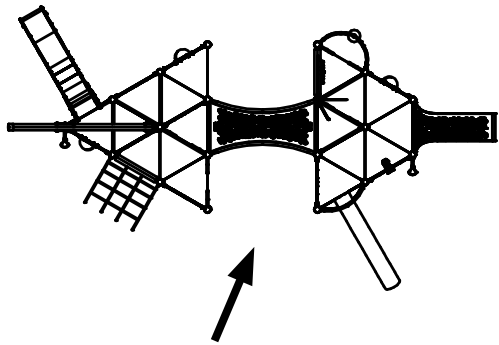


● MASW67663

x3







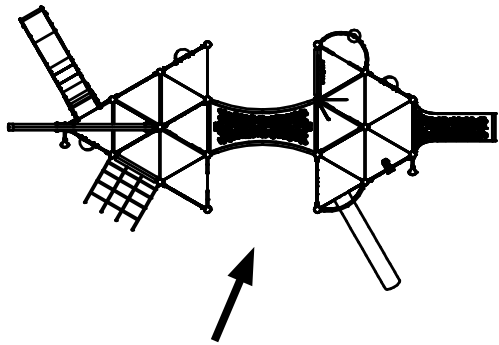
● MA420997

● 8052079

● MASW25822

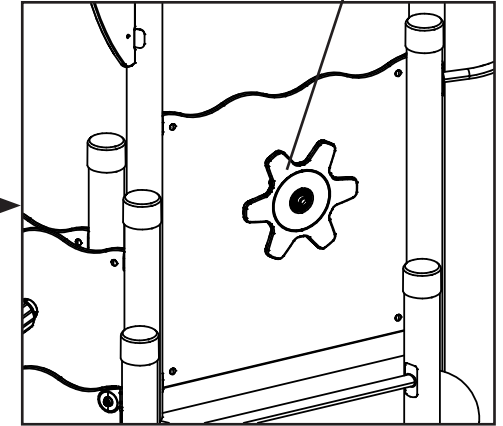
● 8028454

● MASW68508



HAGS  
 260329

MASW35156



MASW39775

x18

MA42093813

MA42091210

MA45091210

MA428952

MASW39102