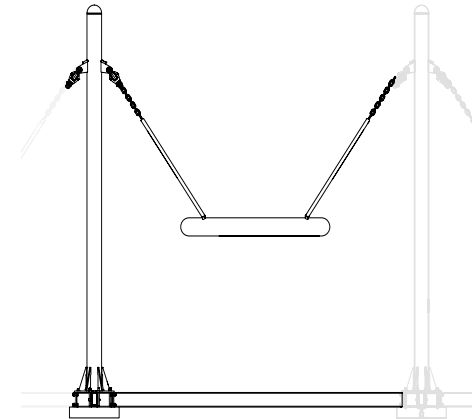





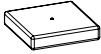

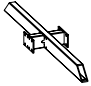



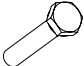
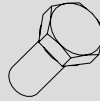
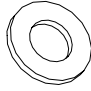

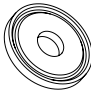



S



1	43-04818		4 x CAP 10, Ø17x14,5 mm	0.01 kg
2	43-04820		4 x Cover 10, Ø25x12mm	0.00 kg
3	8008796		2 x Nut, Fujilok-M10-8-RingA2	0.011 kg
4	8042810		16 x Nut, ISO7042-M10-8	0.012 kg
5	SW20172		4 x	0.02 kg
6	SW42011		2 x 300 x 300 x 60 mm	12.42 kg
7	SW63877		1 x	15.82 kg
8	SW64307		1 x	20.74 kg
9	SW65420		1 x	23.36 kg
10	SW75534		1 x	25.62 kg
11	SW84435		2 x	0.94 kg
12	8008383		2 x Screw, ISO4014-M10x60-8.8	0.0479 kg


13	8008371		10 x Screw, ISO4017-M10x25-8.8	0.0263 kg
14	8050050		18 x Washer ISO7089-10.5x20x2	0.004 kg
15	8071044		4 x Washer ISO7092-10.5x18.1.6	0.002 kg
16	43-04821		2 x Ø10,5x34x4 mm	0.00 kg

S19




4

S20

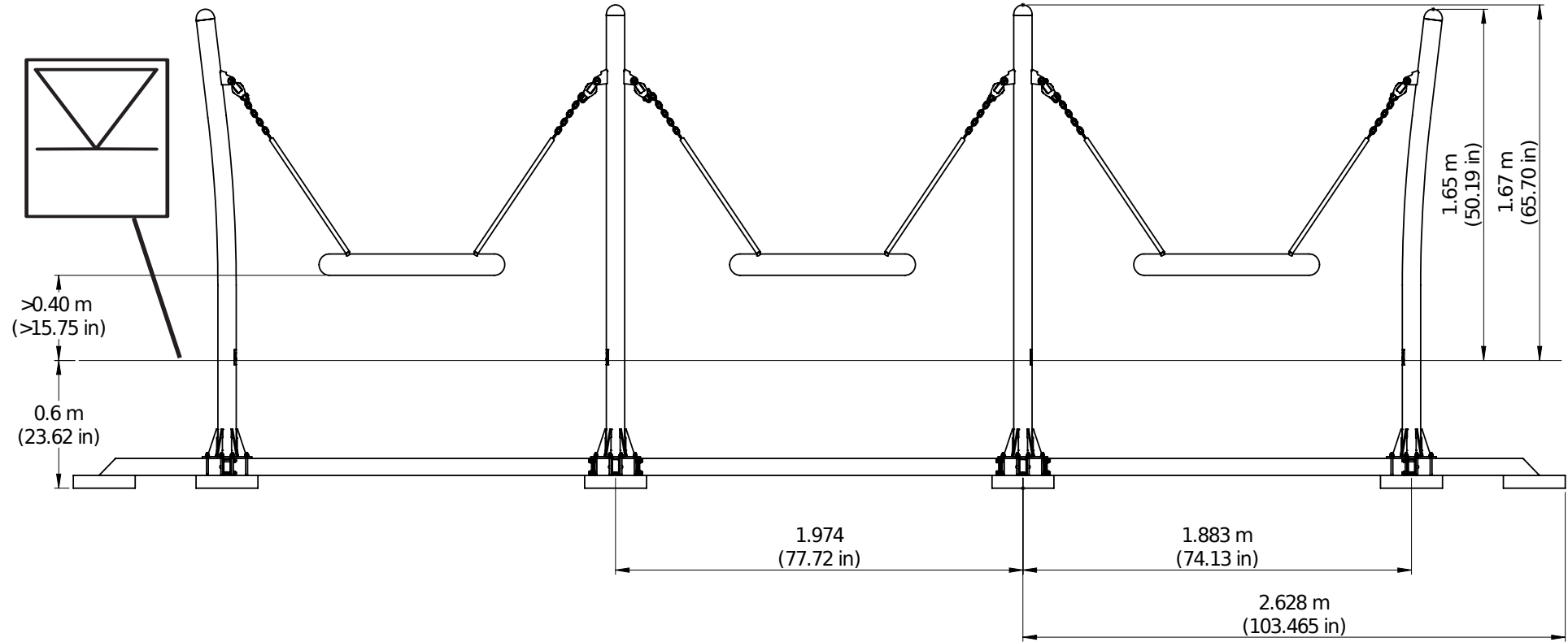


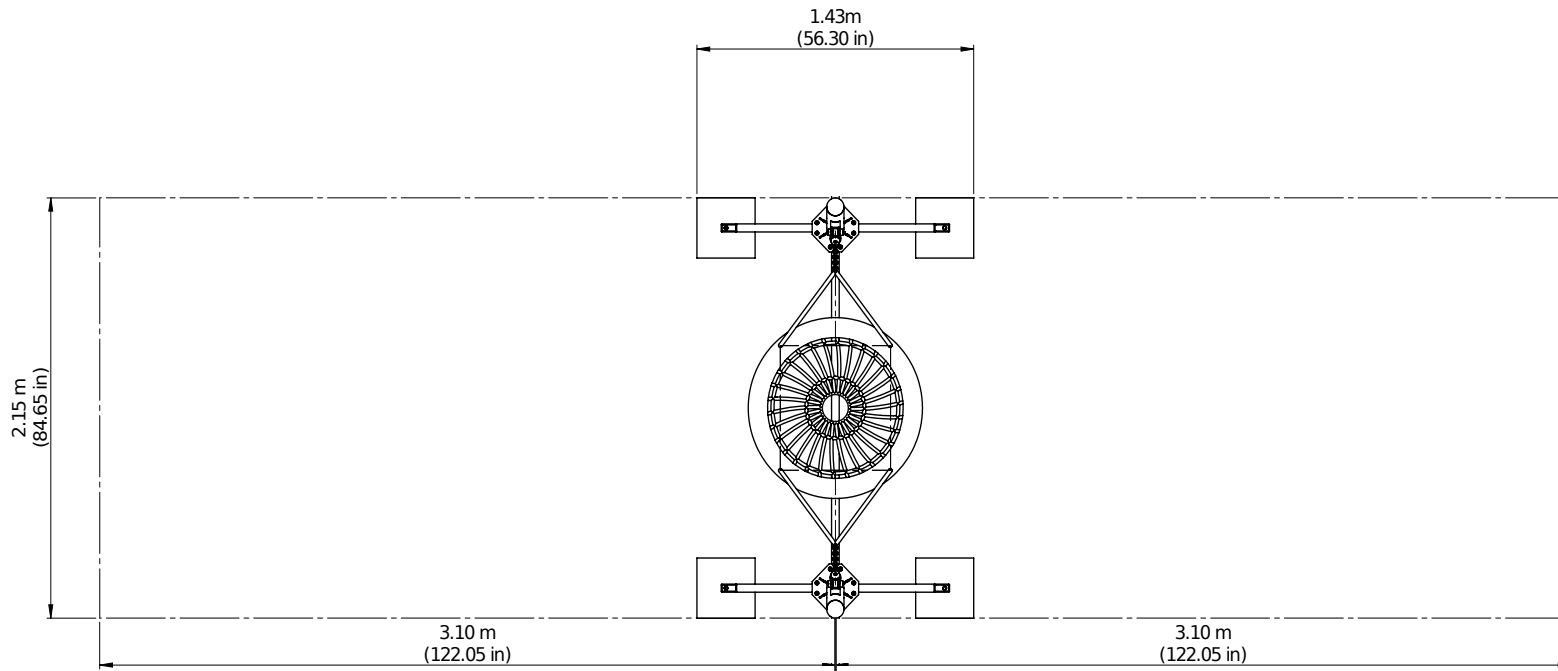
1 x 4

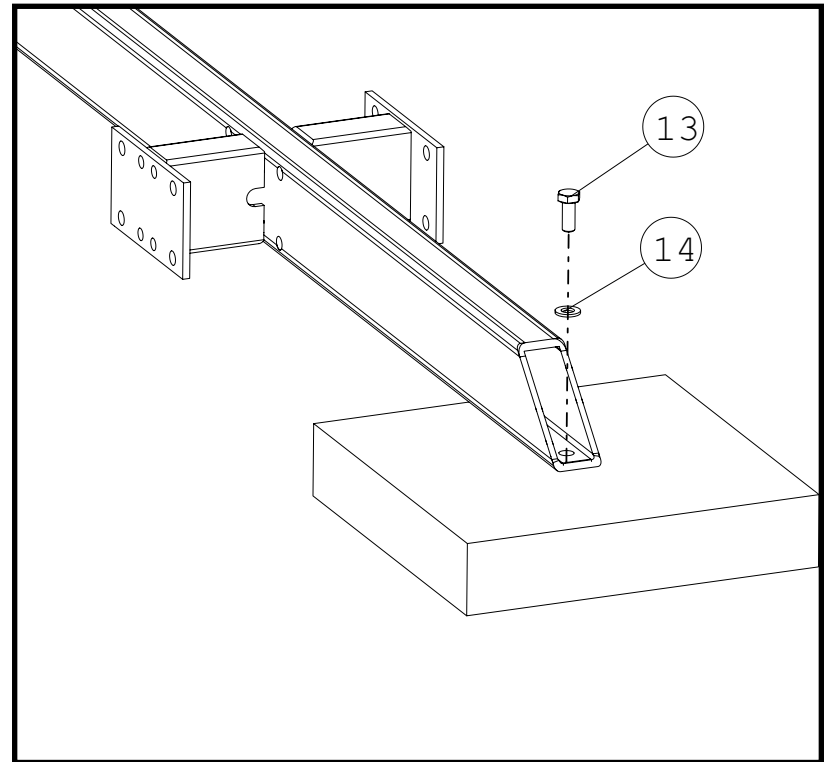
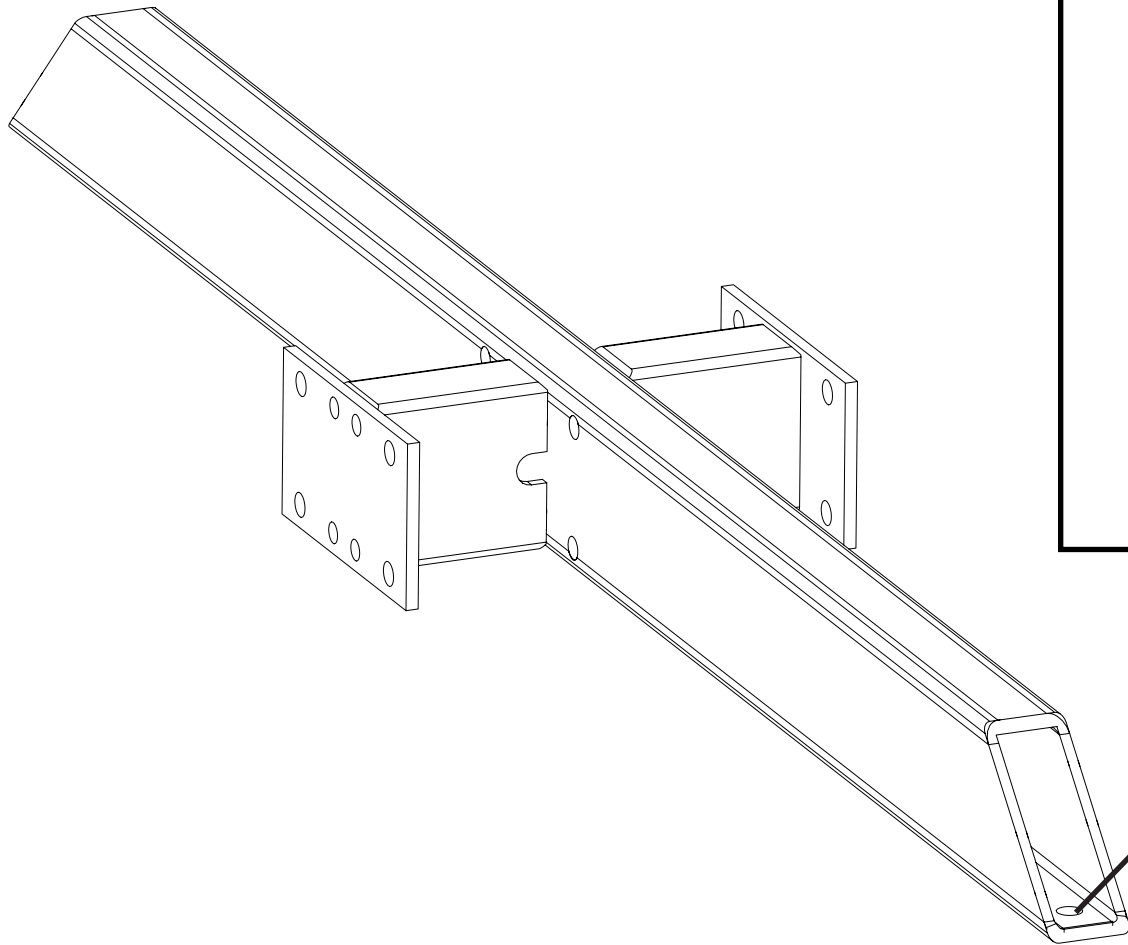
S17

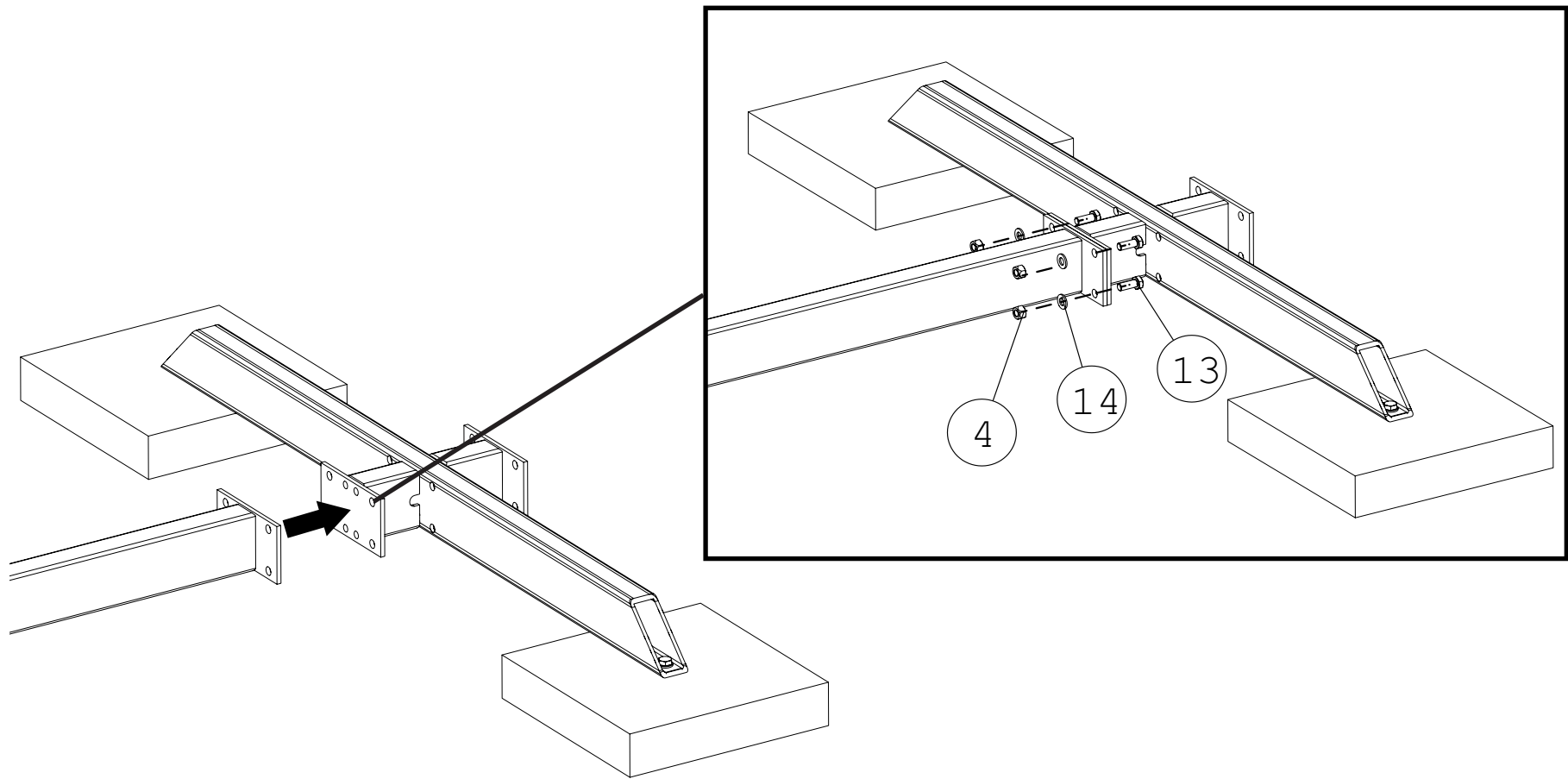


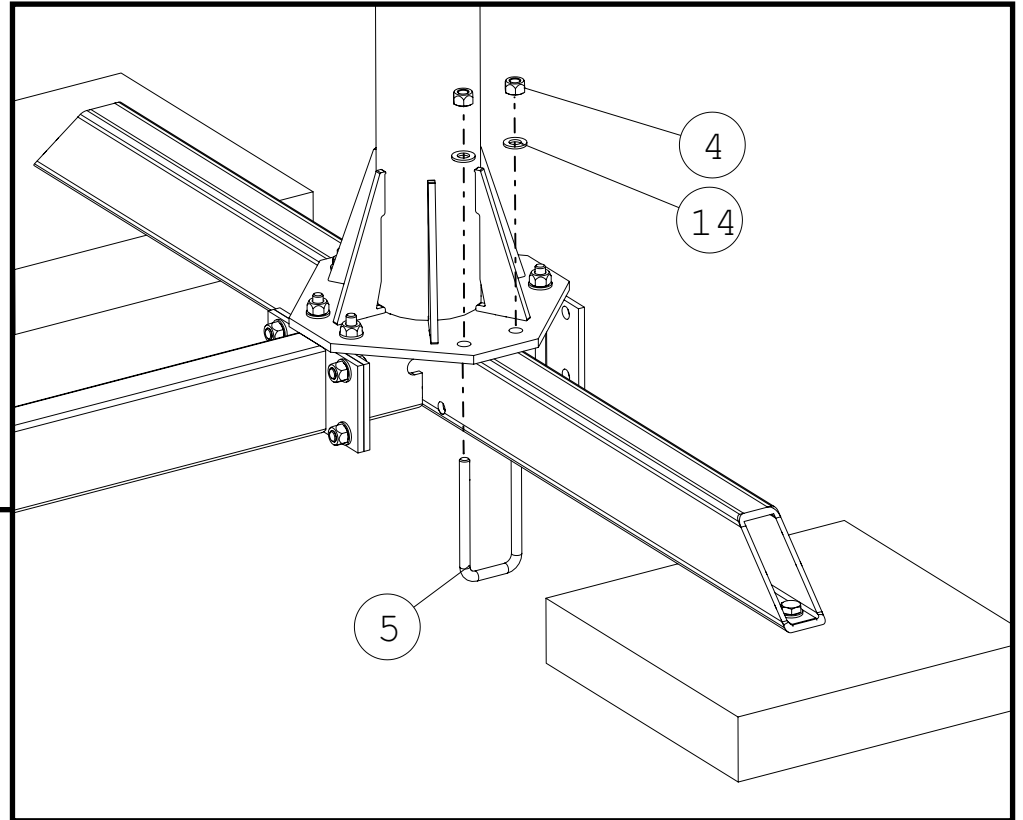
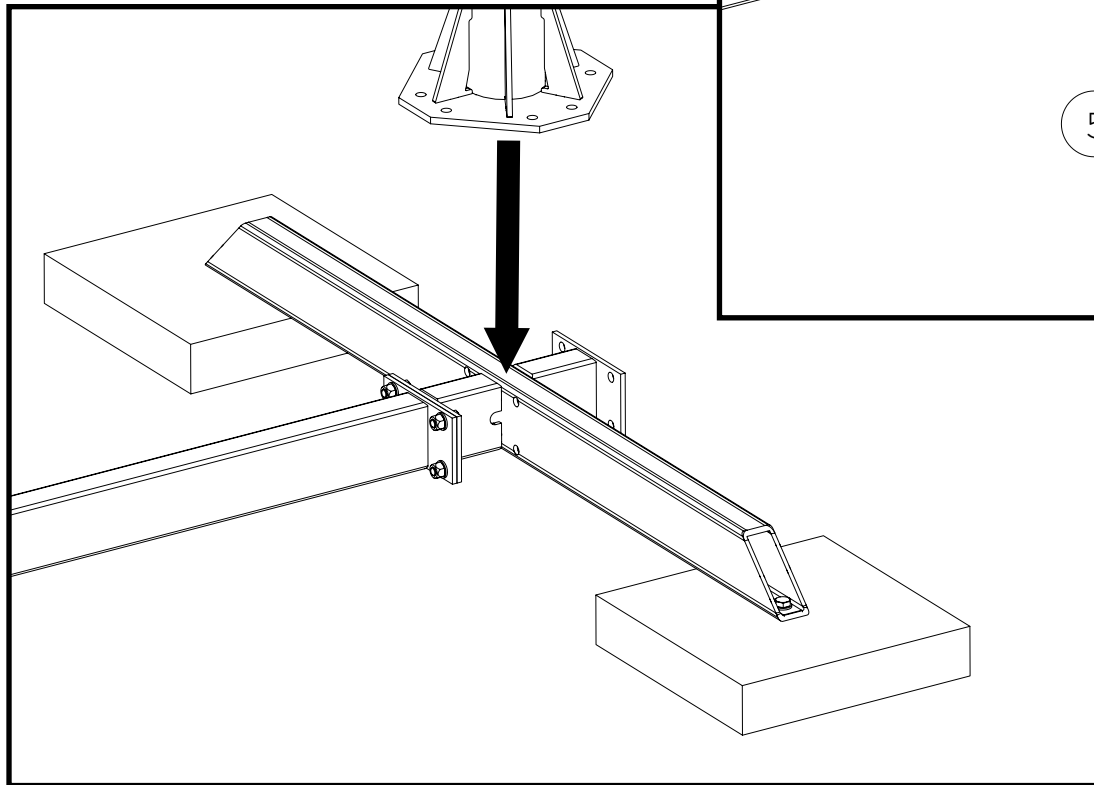
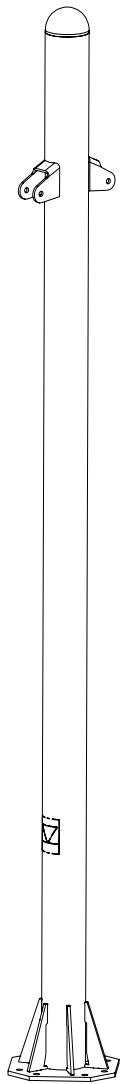
1

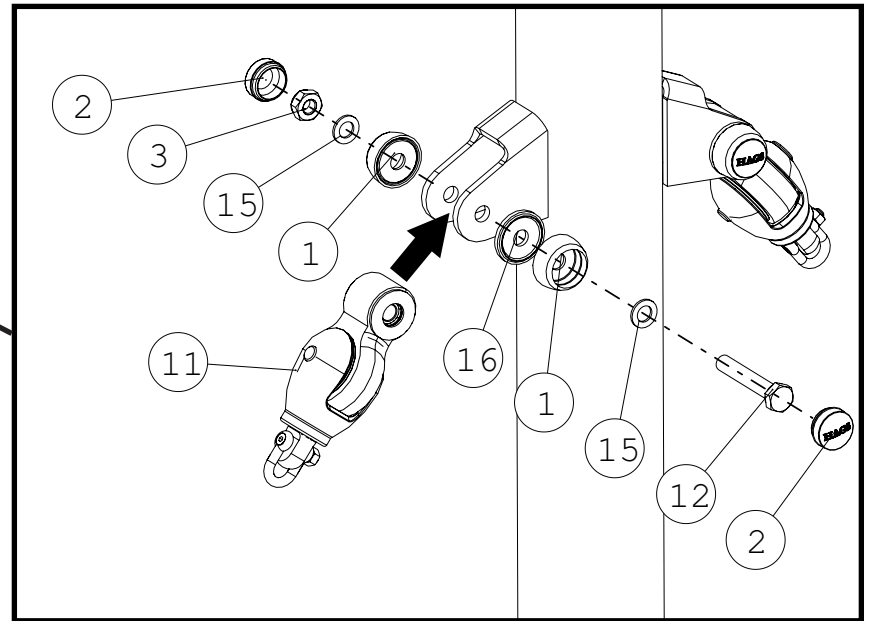
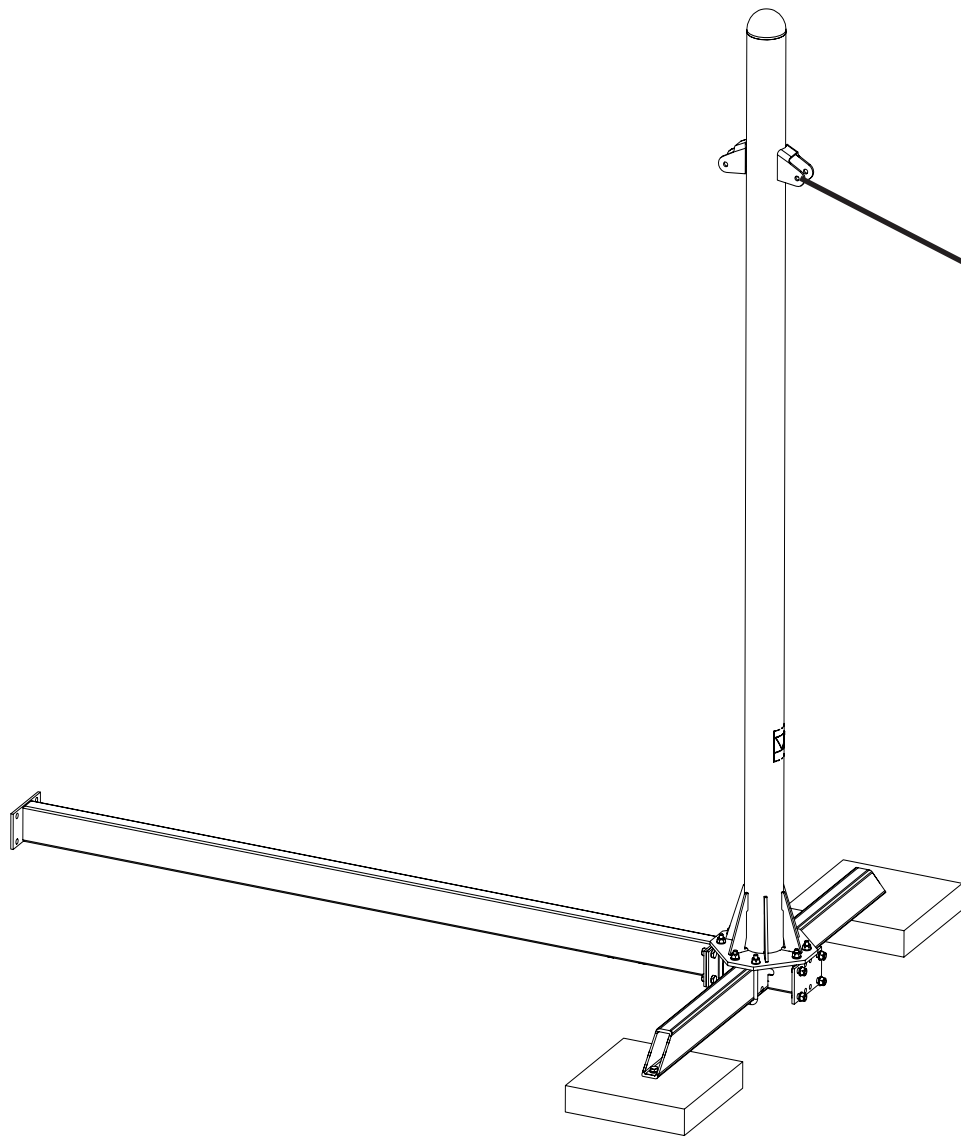


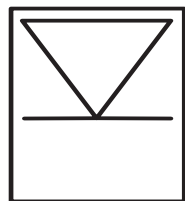












>0.40 m
(> 15.75 in)

