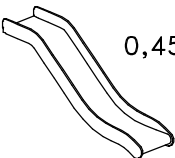

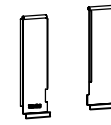
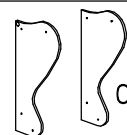
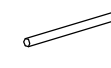
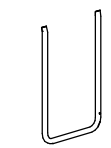

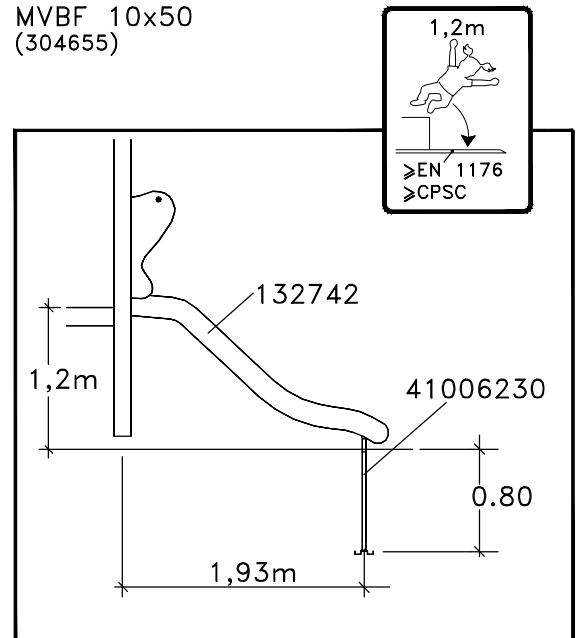
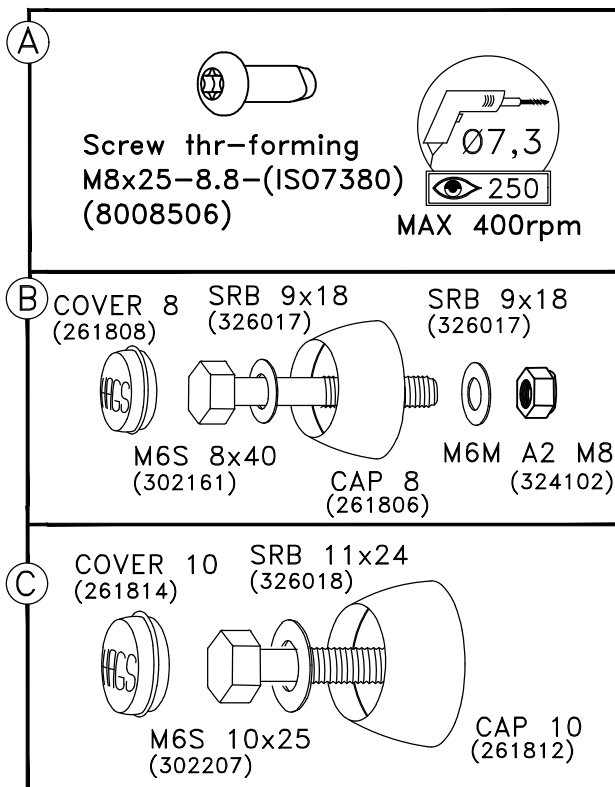


TYPE	HAGS.NO
 0,45x2,6m	132742
 0,89m	410601
 Right pannel is marked with punched HAGS logo! 0,2x0,74m	135020-02 135021-02
 0,37x0,71m	135010-01 135011-01 135012-01 135013-01
 Ø25mm L=0,45m	153406
 L=0.96m	41006230
 0,62m	610071-02

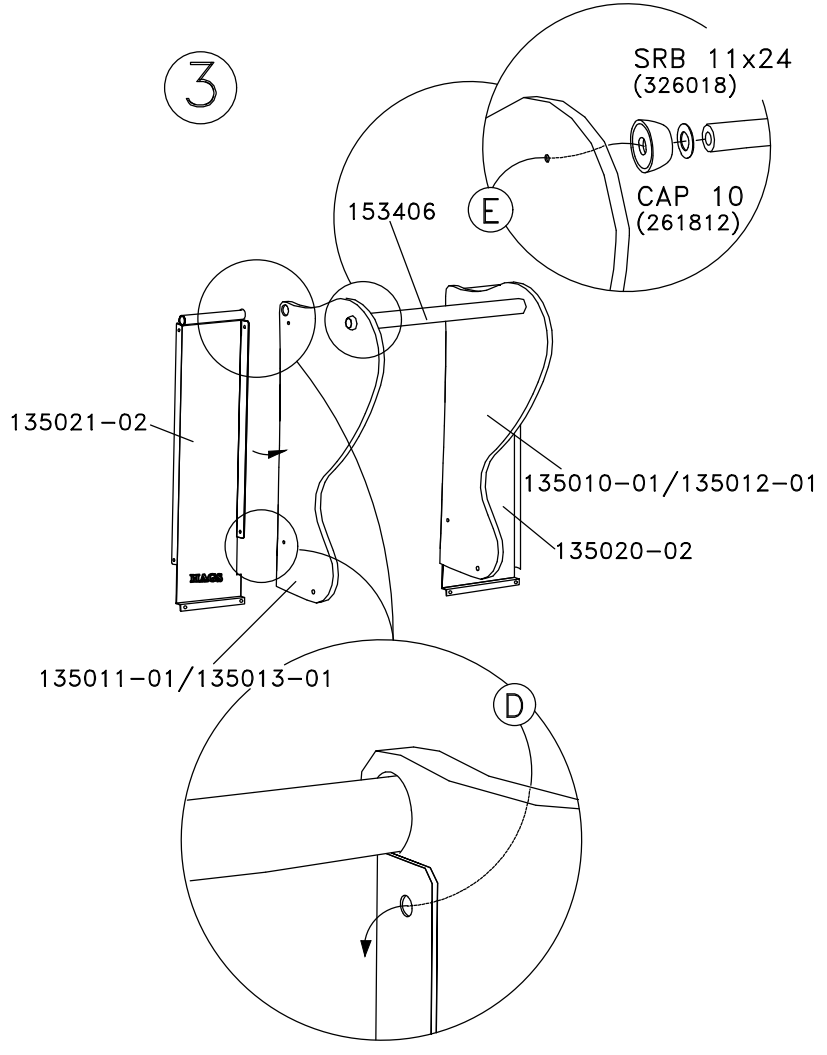


HAGS ANEBY, SWEDEN
+46(0)380-47300
www.hags.com

HPL Slide
454 212
1(2)

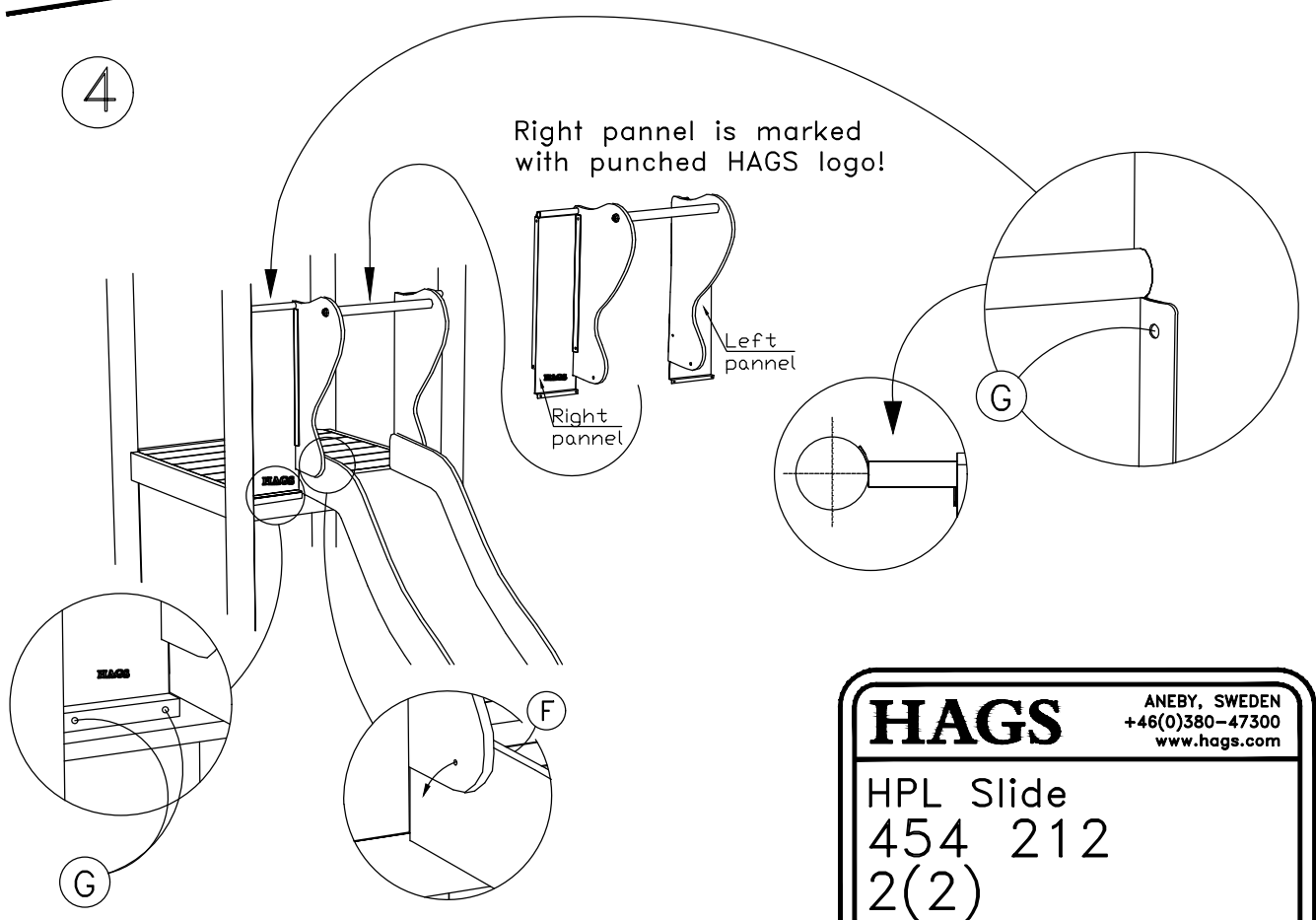
Home TJ Eye - - 5

3



D	<p>MVBF 6x25 (304552)</p>	<p>CAP 6 (261800)</p>	<p>M6M A2 M6 (324101)</p> <p>COVER 6 (261801)</p> <p>SRB 7x14 (326016)</p>
E	<p>COVER 8 (261808)</p>	<p>SRB 9x18 (326017)</p> <p>M6S 8x55 (302164)</p>	<p>CAP 8 (261806)</p>
F	<p>MVBF 8x45 (304605)</p>	<p>CAP 8 (261806)</p>	<p>M6M A2 M8 (324102)</p> <p>SRB 9x18 (326017)</p> <p>COVER 8 (261808)</p>
G	<p>Screw thr-forming M6x25-8.8-(ISO7380) (8027762)</p> <p>Ø5,5 MAX 500rpm</p>		

4



HAGS		ANEBY, SWEDEN +46(0)380-47300 www.hags.com
HPL Slide 454 212 2(2)		
	TJ	- - 5