
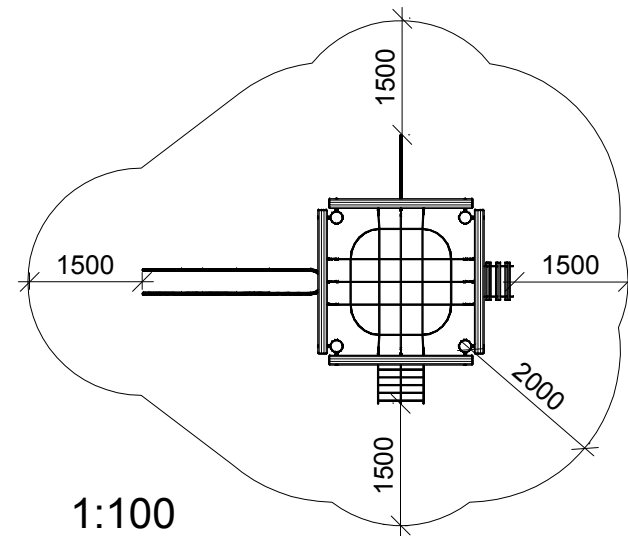
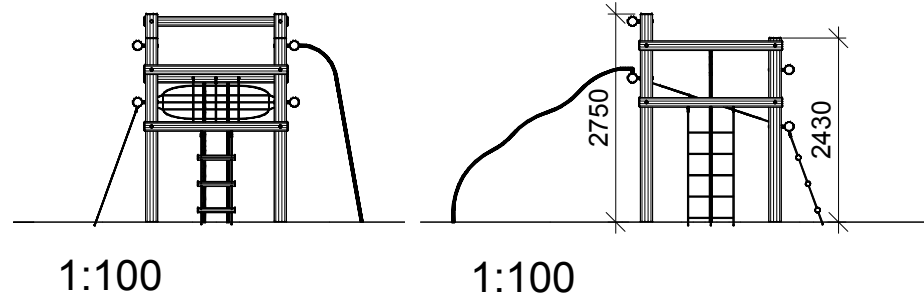
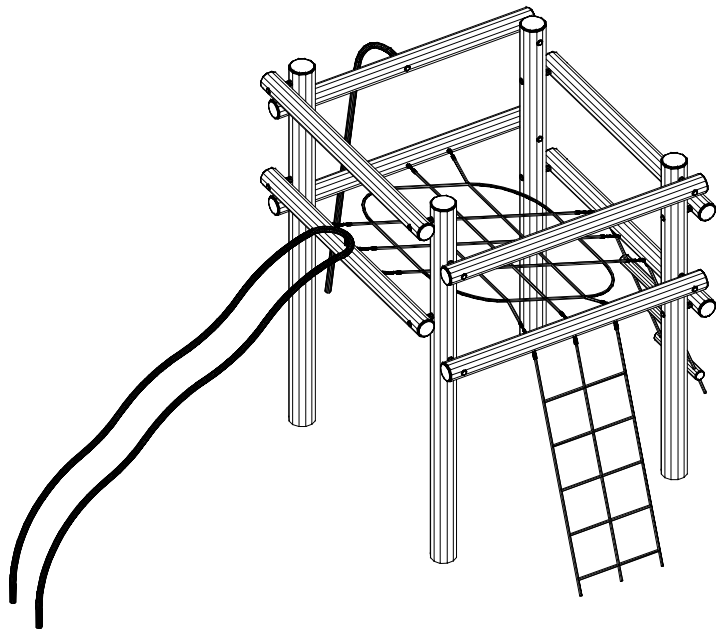


NORLEG	
Robinia klatresystem 4	
LE 20406	
30.04.2004	REV. 15.12.2015

< 2000

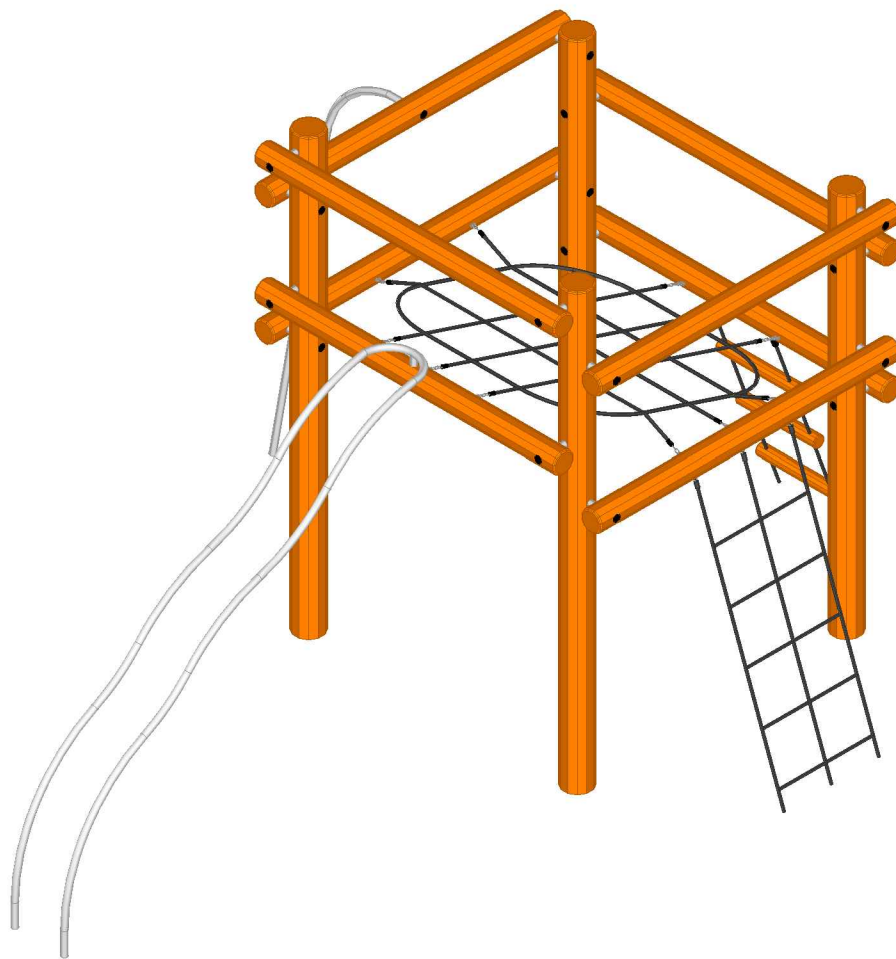


≥ EN 1176



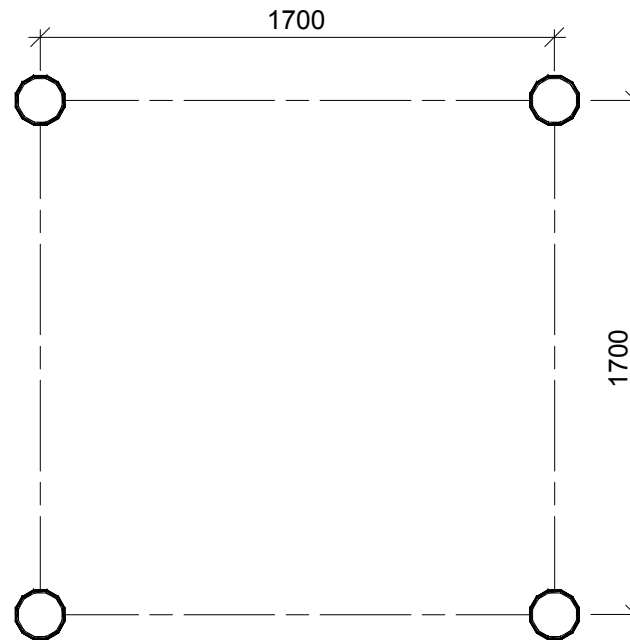
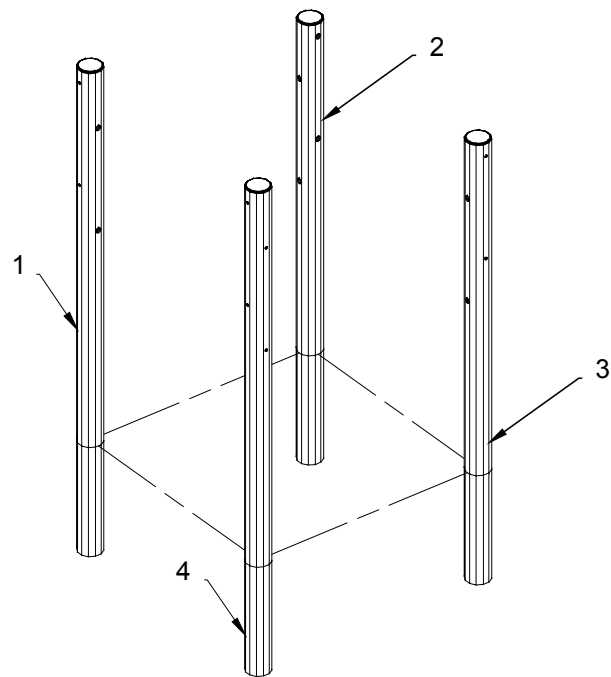
This drawing is the property of NORLEG and pursuant to current legislation may not be copied, transferred to or used by any third party. Should this drawing be used, a fee of 10% of the assumed contract price will be charged.

NORLEG	
Robinia klatresystem 4	
LE 20406	
30.04.2004	REV. 15.12.2015



This drawing is the property of NORLEG and pursuant to current legislation may not be copied, transferred to or used by any third party. Should this drawing be used, a fee of 10% of the assumed contract price will be charged.


NORLEG - Afsætning.	
Robinia klatresystem 4	
LE 20406	
30.04.2004	REV. 15.12.2015



This drawing is the property of NORLEG and pursuant to current legislation may not be copied, transferred to or used by any third party. Should this drawing be used, a fee of 10% of the assumed contract price will be charged.

NORLEG - Mont.	
Robinia klatresystem 4	
LE 20406	
30.04.2004	REV. 15.12.2015

< 2000



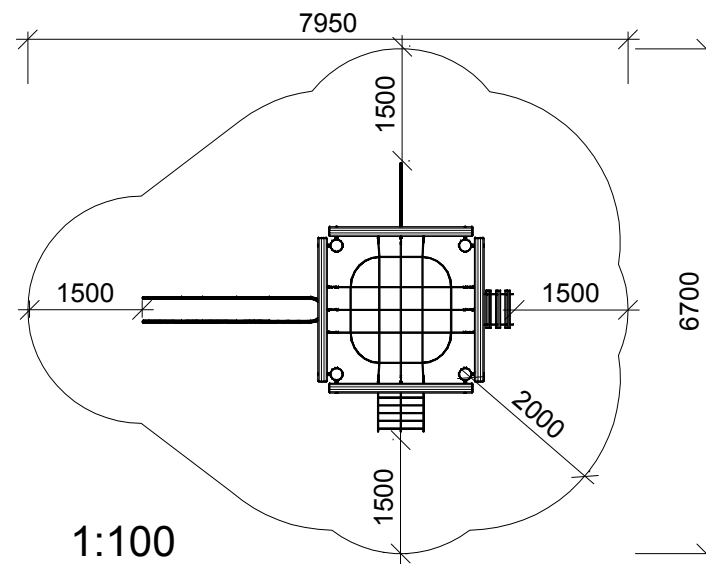
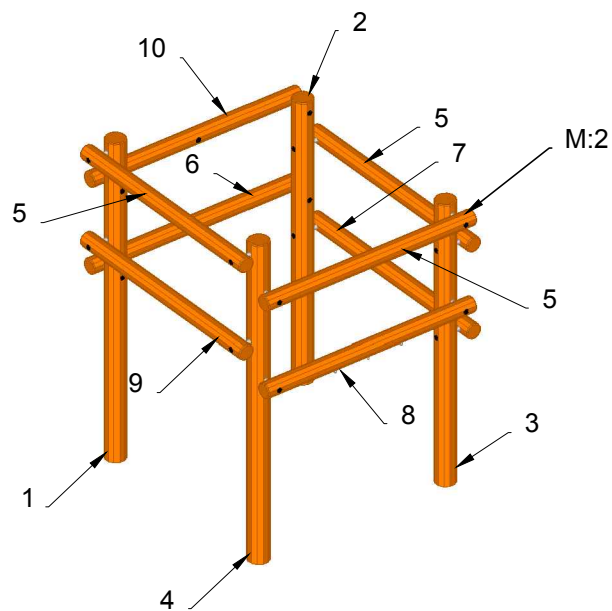
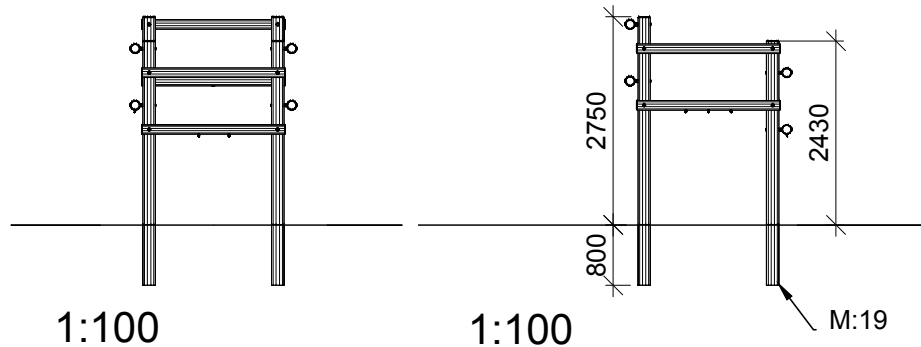
≥ EN 1176

Mont.p. nr.

2
19


Parts list		
Mrk.	QTY	Part.no
1	1	160-180-3550
2	1	160-180-3230
3	1	160-180-3230
4	1	160-180-3550
5	3	120-140-1900

Parts list		
Mrk.	QTY	Part.no
6	1	120-140-1900
7	1	120-140-1900
8	1	120-140-1900
9	1	120-140-1900
10	1	120-140-1900



NORLEG - Mont.	
Robinia klatresystem 4	
LE 20406	
30.04.2004	REV. 15.12.2015

< 2000

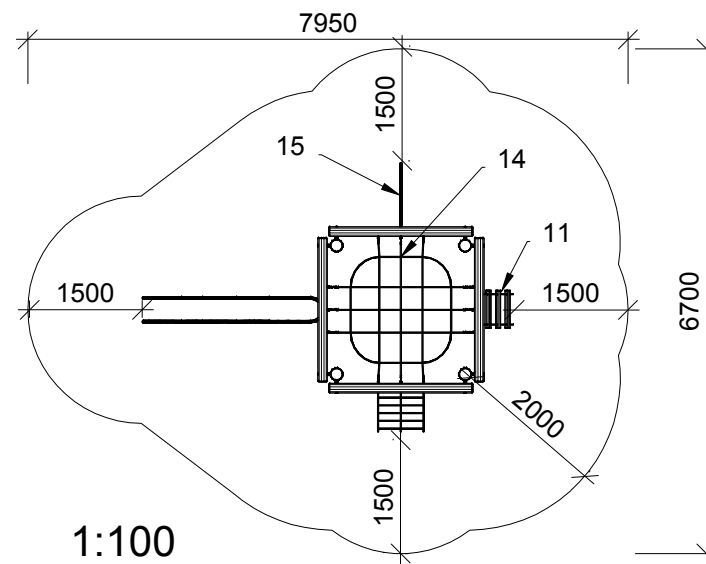
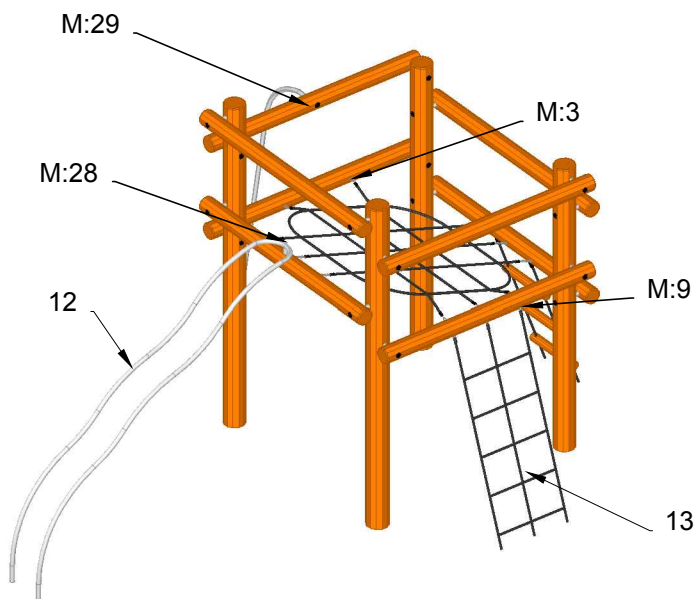
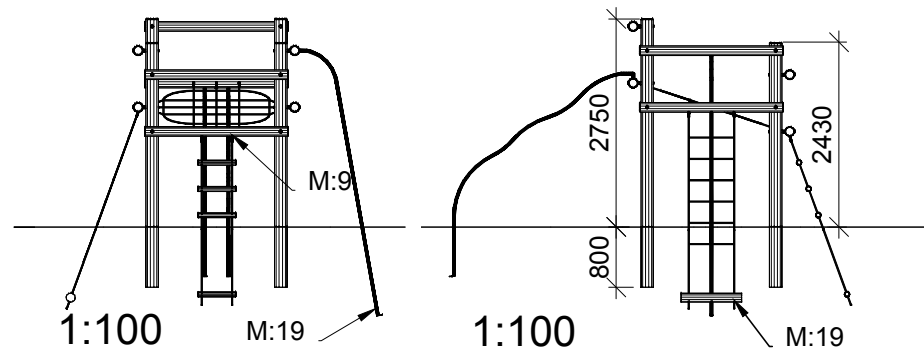


≥ EN 1176

Mont.p. nr.

3
9
19
28
29

Parts list		
Mrk.	QTY	Part.no
11	1	LE 20364
12	1	LE 20372
13	1	LE 26022
14	1	LE 26004
15	1	LE 20370



This drawing is the property of NORLEG and pursuant to current legislation may not be copied, transferred to or used by any third party. Should this drawing be used, a fee of 10% of the assumed contract price will be charged.