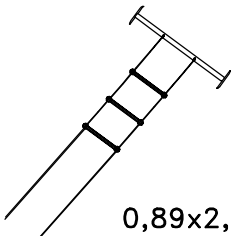


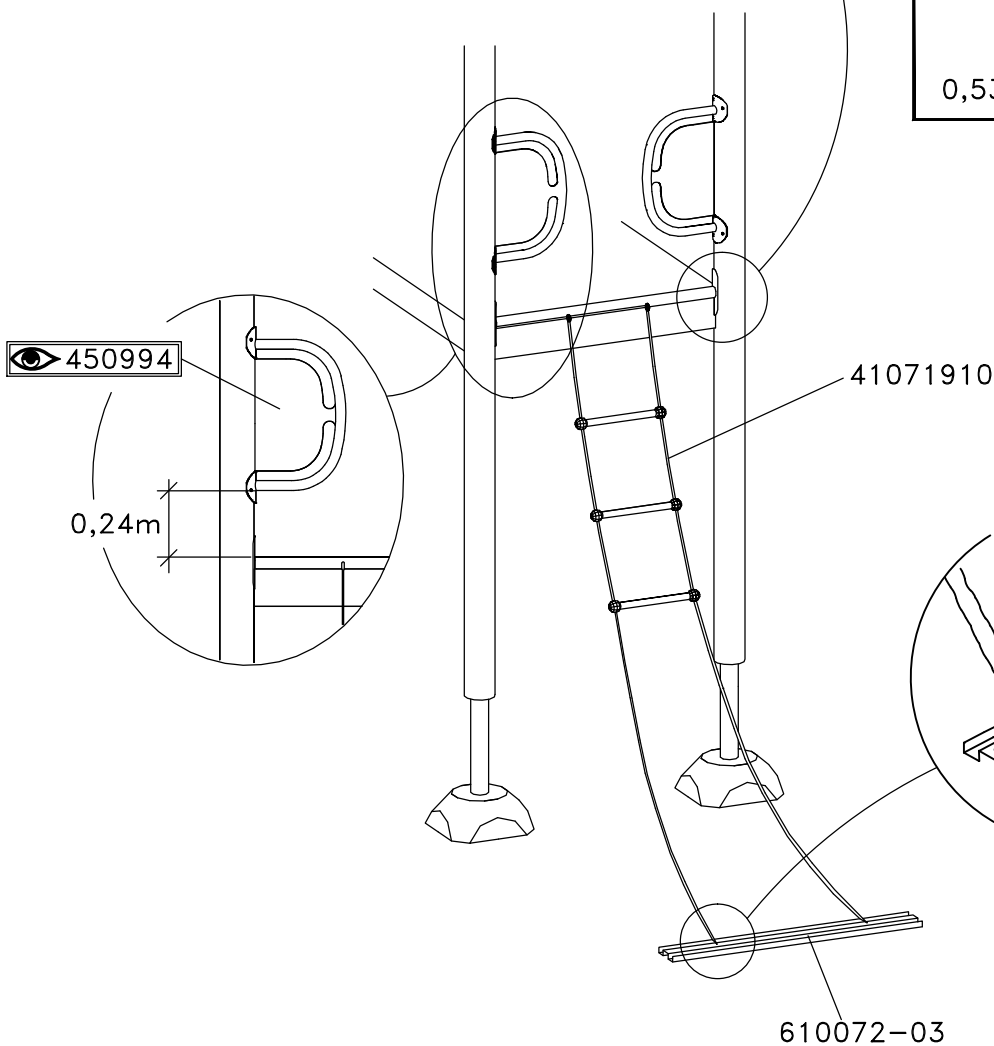


Screw thr-forming
M8x25-8.8-(ISO7380)
(8008506)



MAX 400rpm

| TYPE | HAGS.NO |
|--|-----------|
|  0,89x2,55m | 41071910 |
|  1,0m | 610072-03 |
| (2x)  0,53x0,24m | 410994 |



450994

0,24m

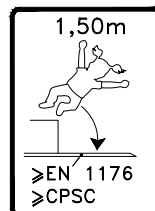
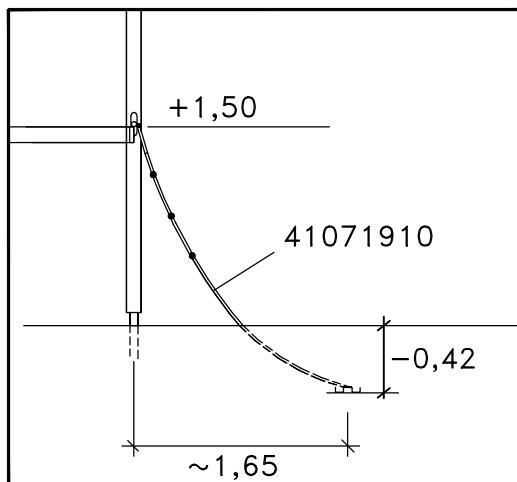
41071910



M6S 8x25
(302158)

SRB 9x18
(326017)

M6M A2 M8
(324102)

610072-03



| | |
|--|--|
| HAGS | ANEBY, SWEDEN +46(0)380-47300 www.hags.com |
| | Ropeladder 450 719 10 1(1) |
|  TJ |  ToB 2017-04-28 2 |