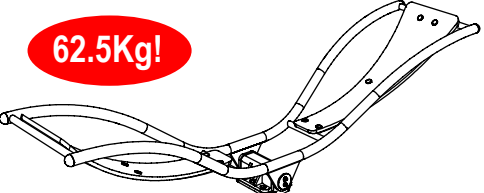
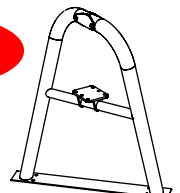
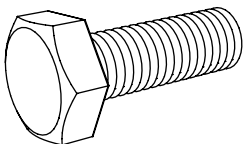


1 **62.5Kg!**  **502100**
1 No
 2200 x 510 x 585

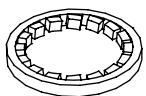


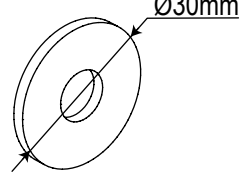
2 **40.6Kg!**  **502101**
1 No
 890 x 850 x 1230



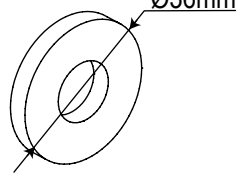
3  **8100824**
6 No
 M10 x 30

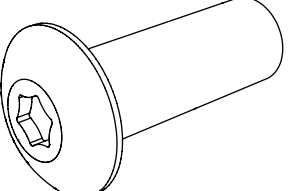


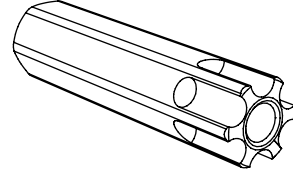
4  **8100825**
6 No
 M10

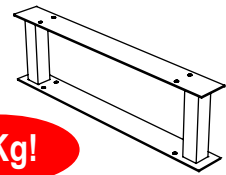
5  **10309999**
6 No
 M10



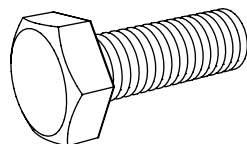
6  **10291400**
6 No
 M10

7  **10301005**
6 No
 M10 x 40

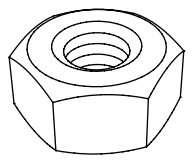
8  **950100**
1 No
 TX45

9 **21Kg!**  **502202**
1 No
 1100 x 130 x 325



10  **8100824**
4 No
 M10 x 30



11  **10271000**
4 No
 M10

LxWxH (m)
2.19 x 0.76 x 0.79

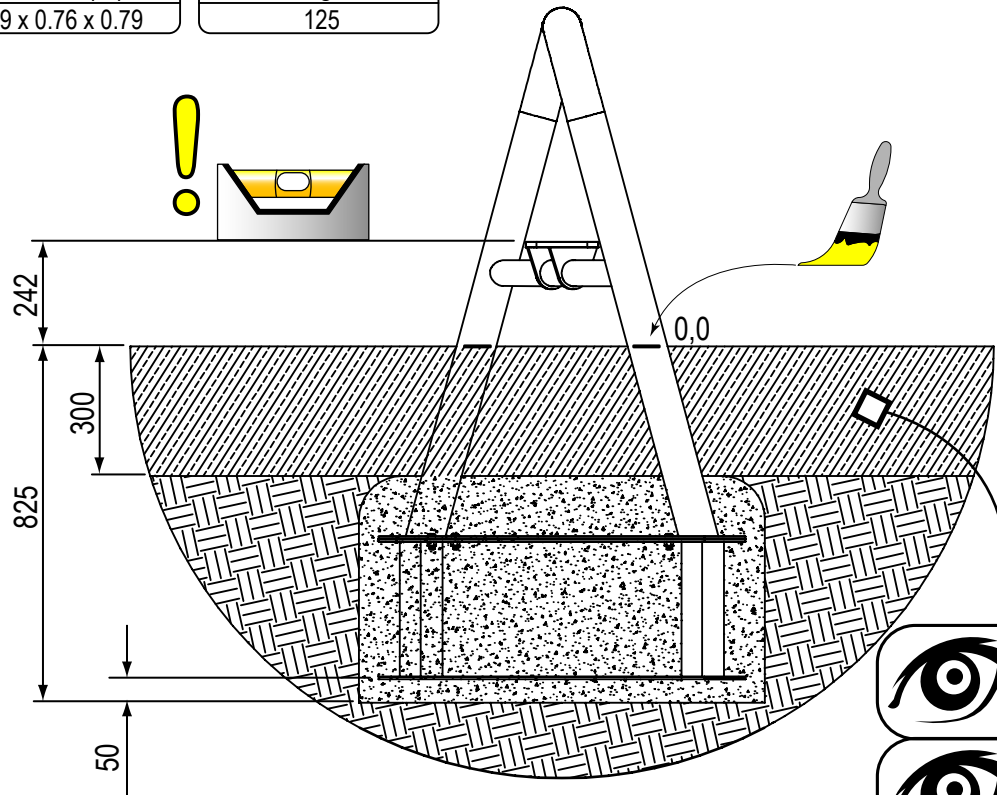
kg
125

m³
0.47

m²
10 x 10

EN1176
H=1.1m

x2
3hr



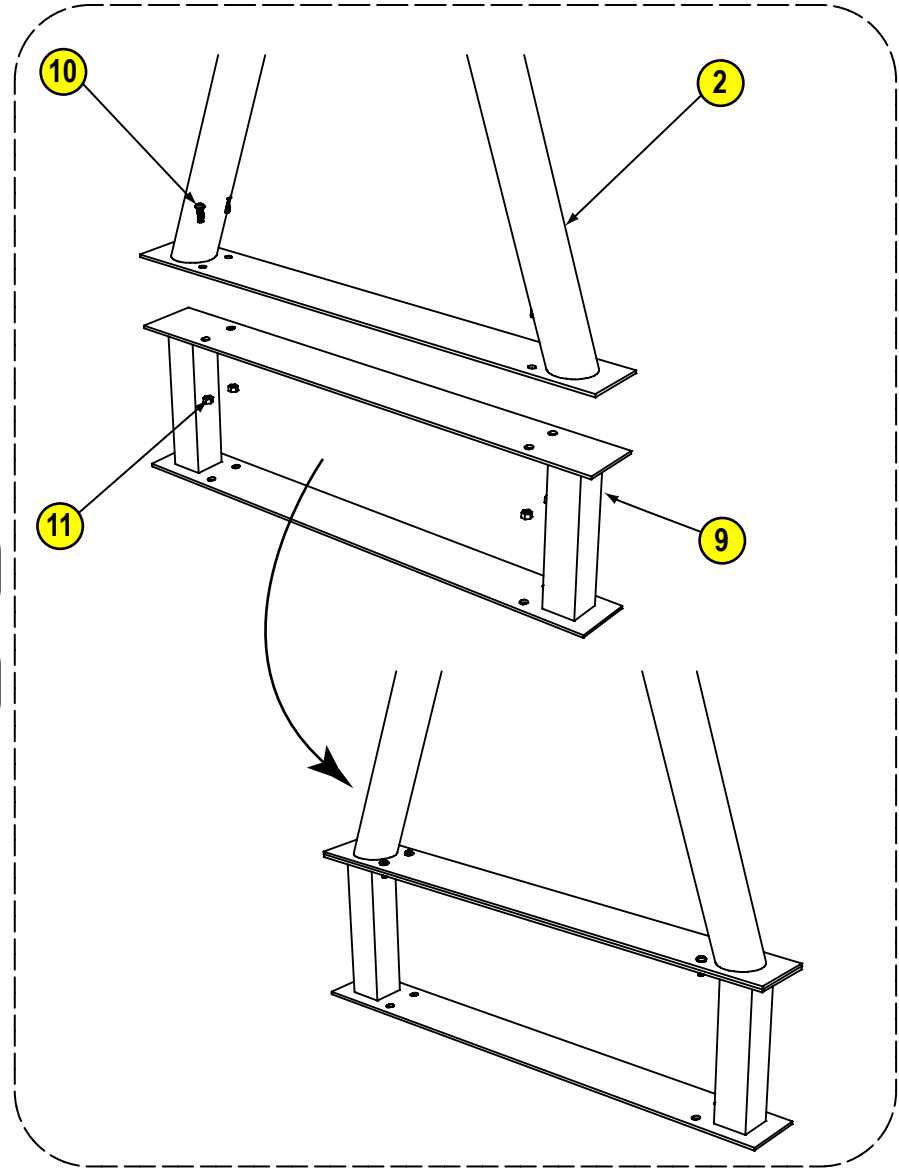
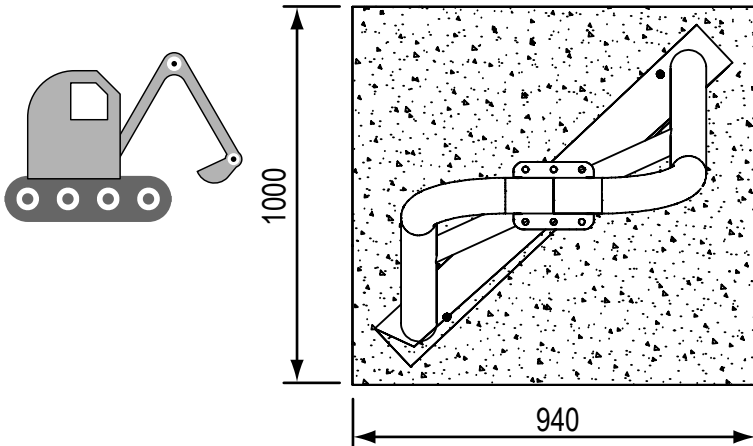
144
TYPE 1

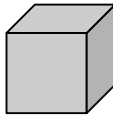
144
TYPE 2

S2 (50mm)
≥C20-25

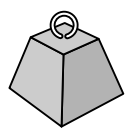
7 x 24h

101






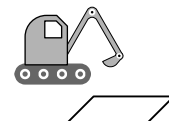
LxWxH (m)
2.19 x 0.76 x 0.79



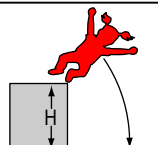
kg
104




m³
0.47



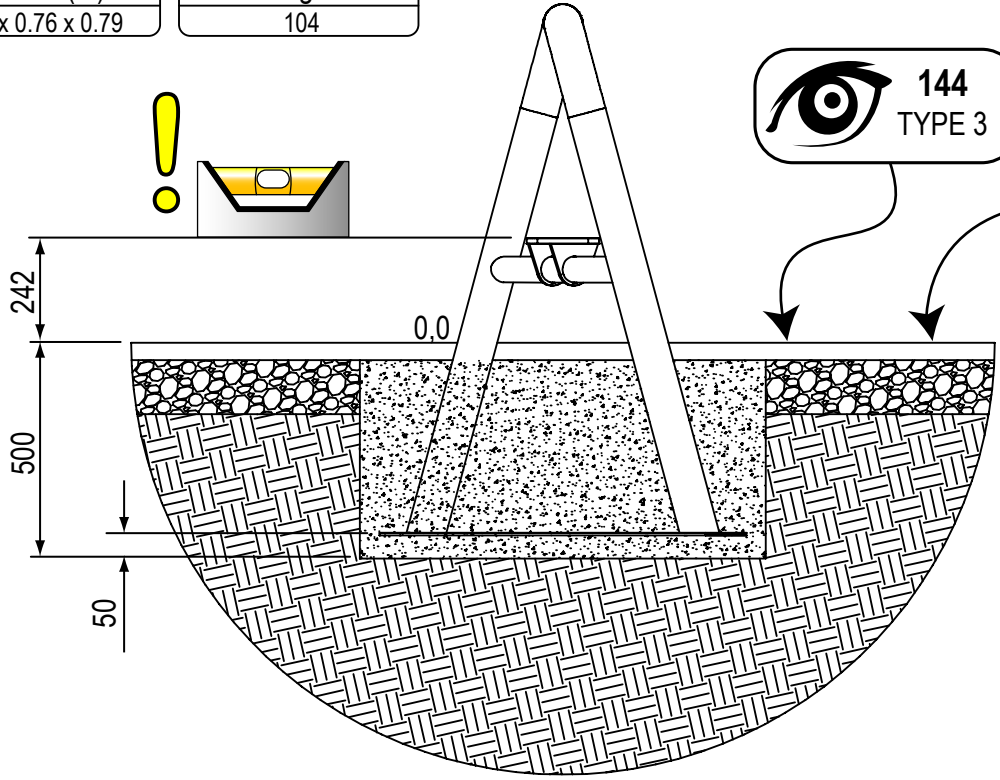
m²
10 x 10



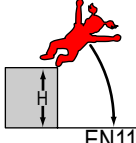
EN1176
H=1.1m



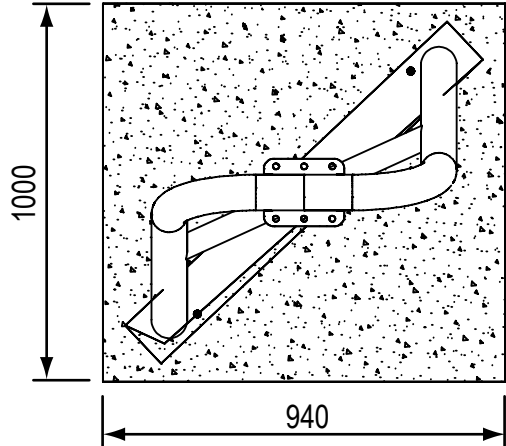
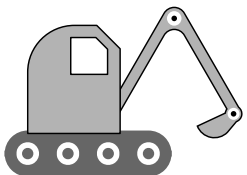
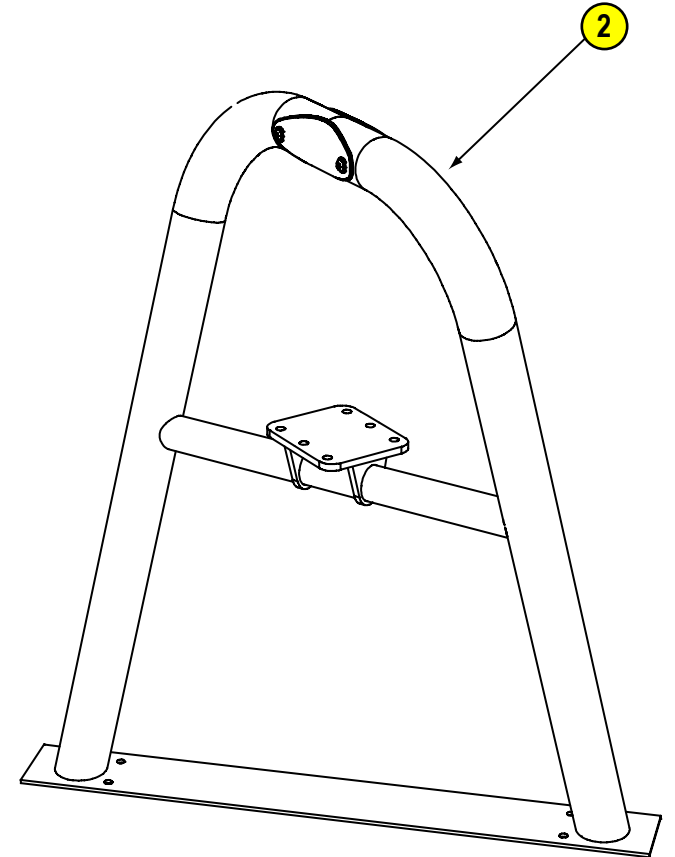
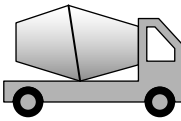
x2
3hr



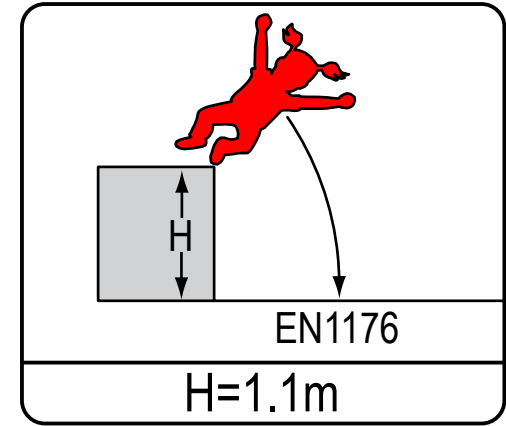
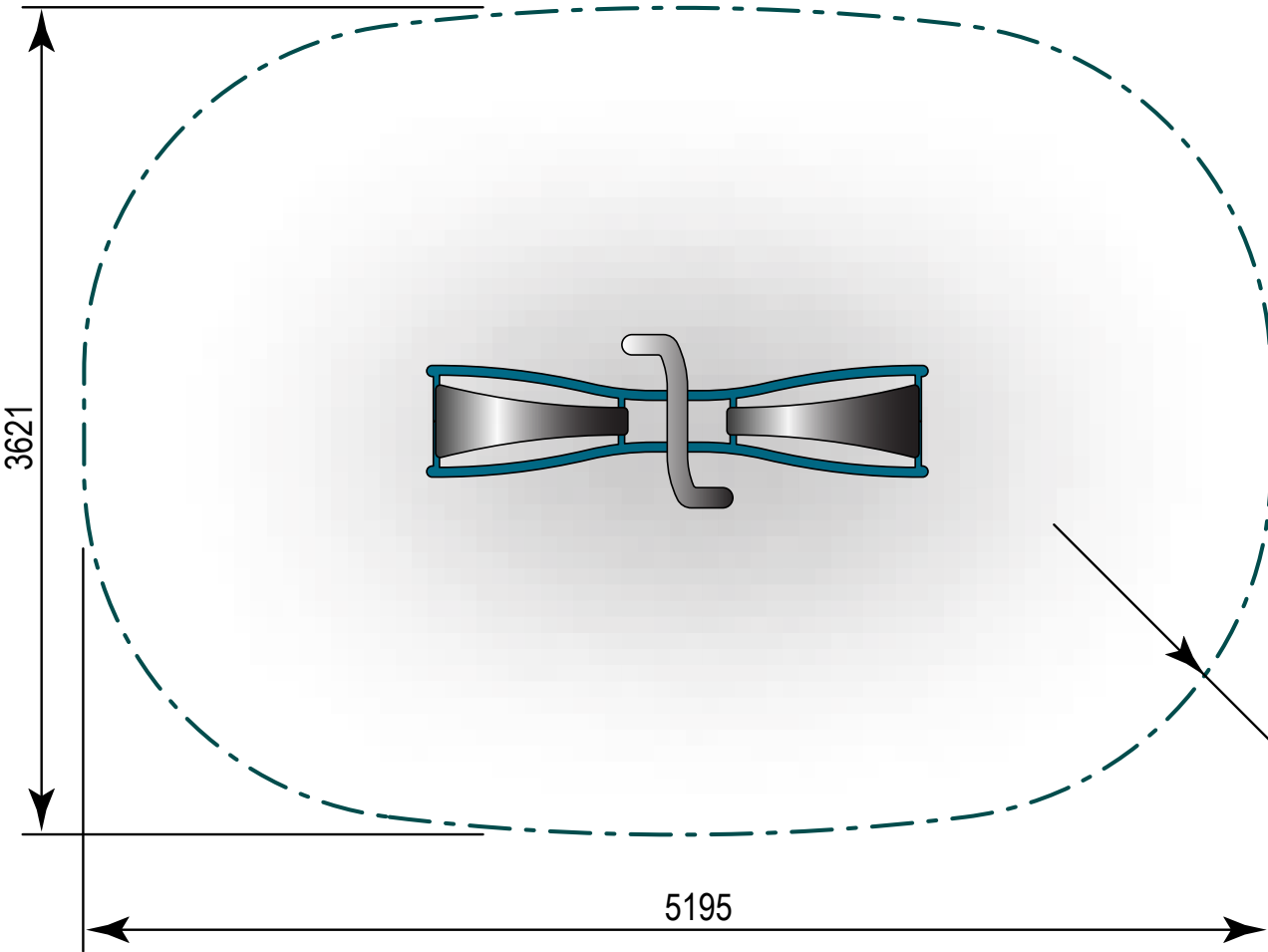

144
TYPE 3



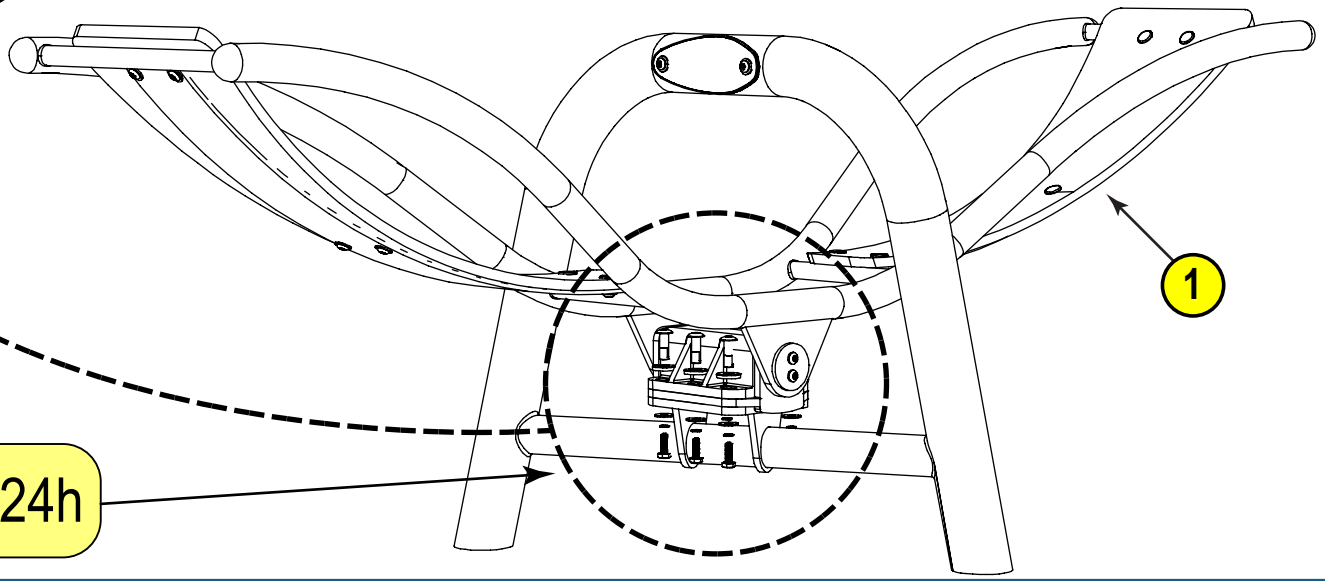
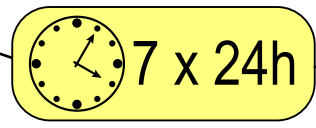
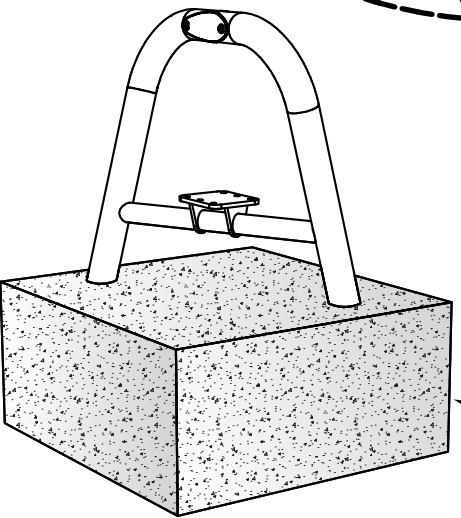
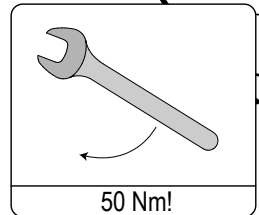
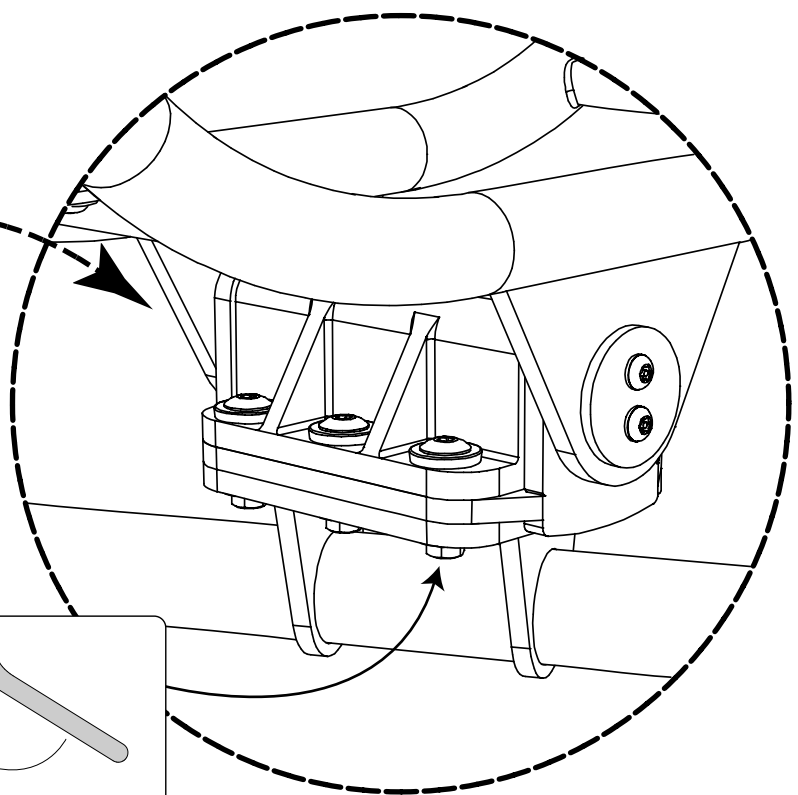
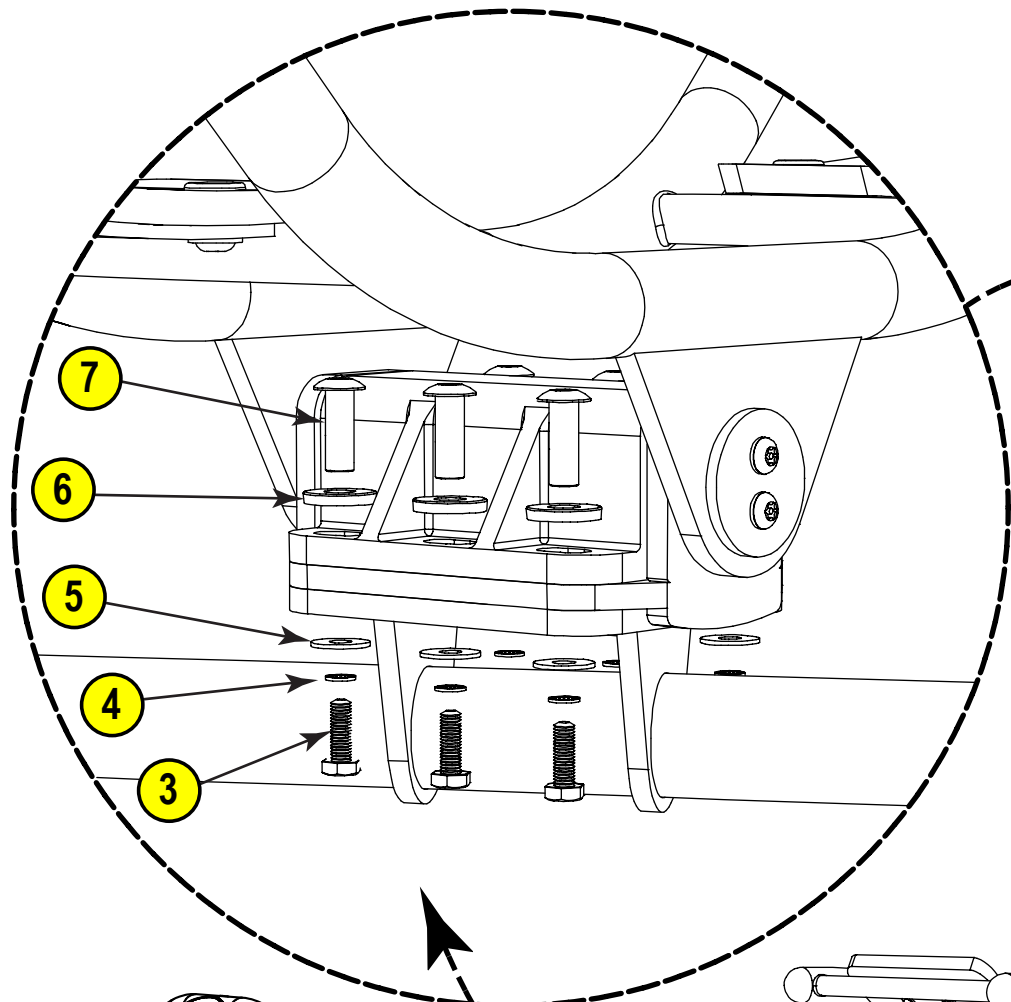
EN1176
FHF ≥ 1.1m

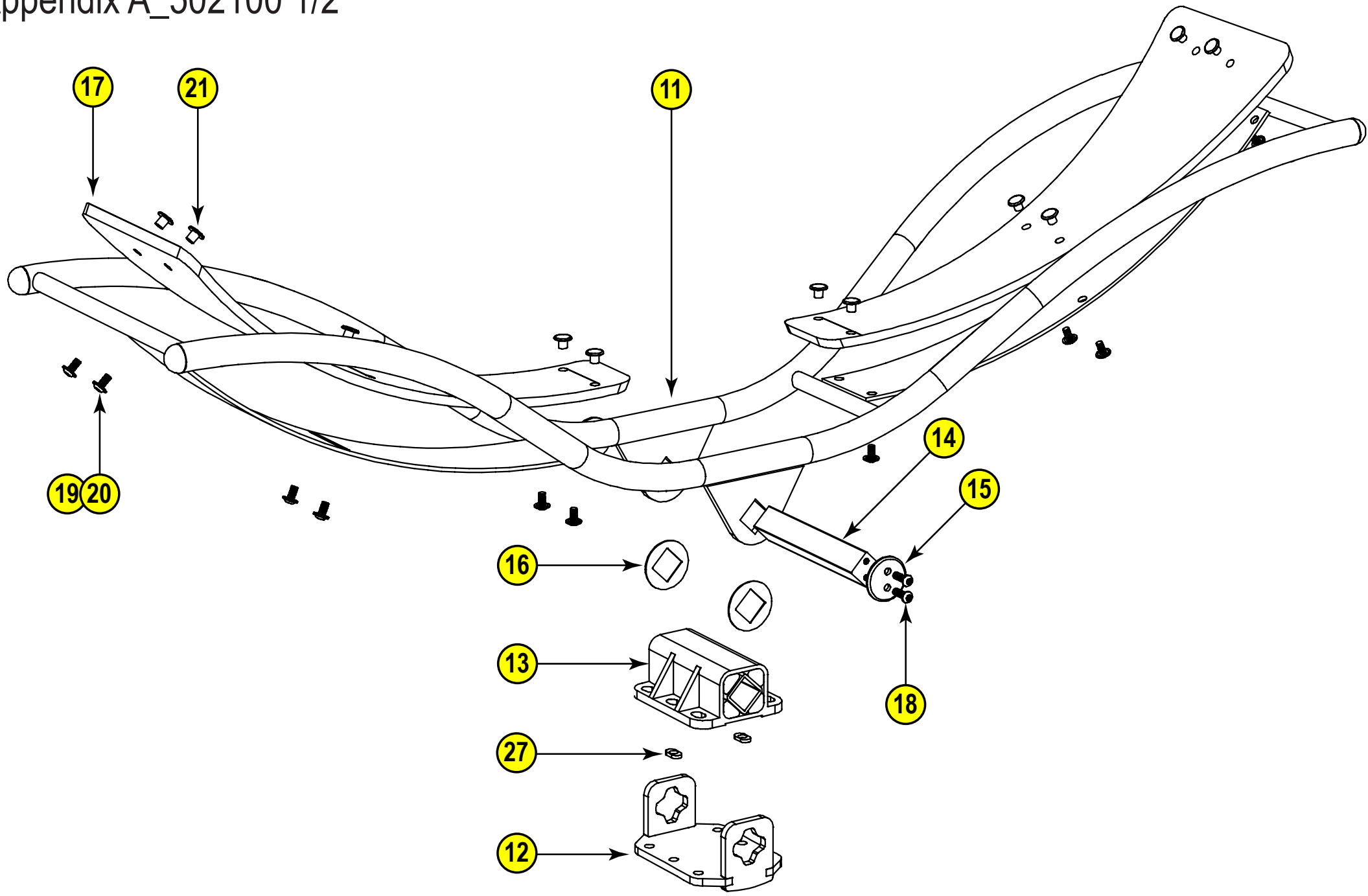



S2 (50mm)
≥C20-25
7 x 24h
101

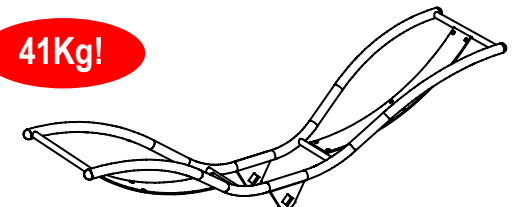


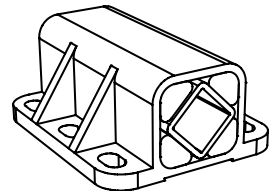
R1524

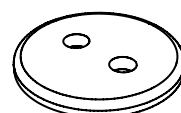


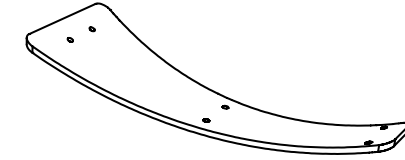


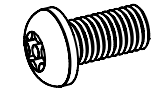
Appendix A_502100 2/2

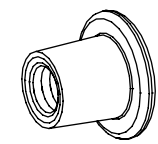
11 **41Kg!**  **502200**
1 No

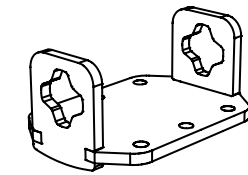
13  **502102**
1 No

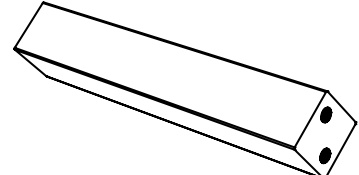
15  **502511**
2 No

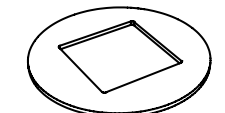
17  **502600**
2 No

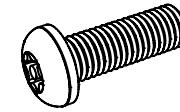
19  **10131020**
12 No
M10 x 20

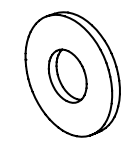
21  **10931000**
12 No
M10

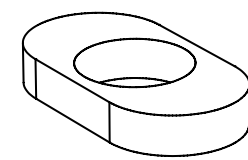
12  **502203**
1 No

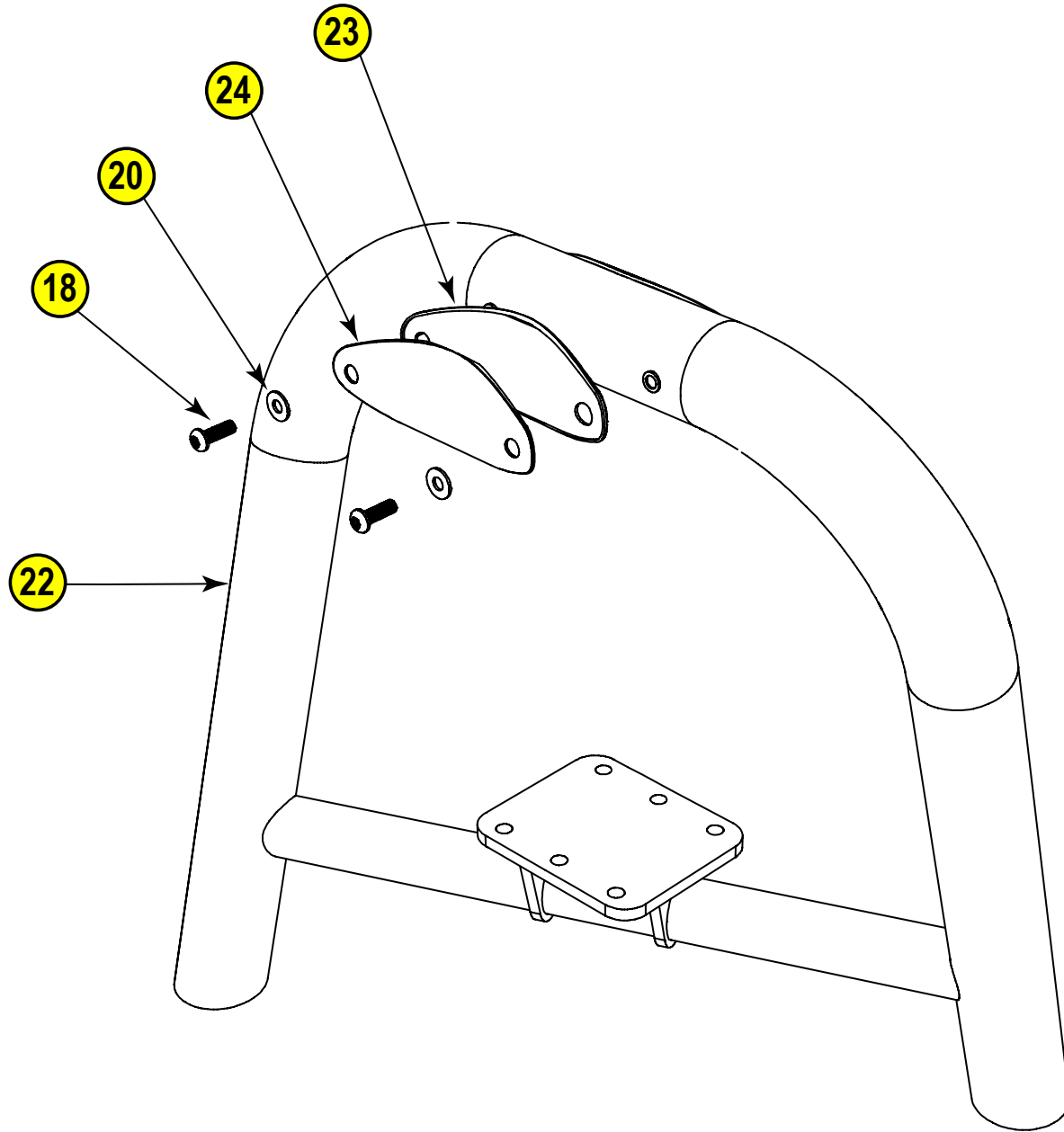
14  **502510**
1 No

16  **502509**
2 No

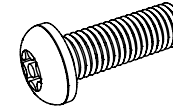
18  **10121030**
4 No
M10 x 30

20  **10381000**
12 No
M10

27  **502512**
2 No



18



10131030

4 No

M10 x 30

20



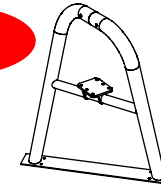
10381000

4 No

M10

22

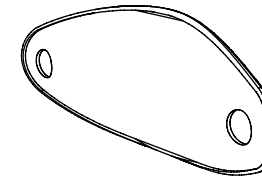
40Kg!



502201

1 No

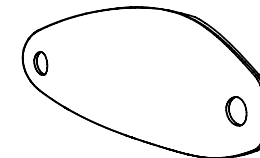
23



19023801

2 No

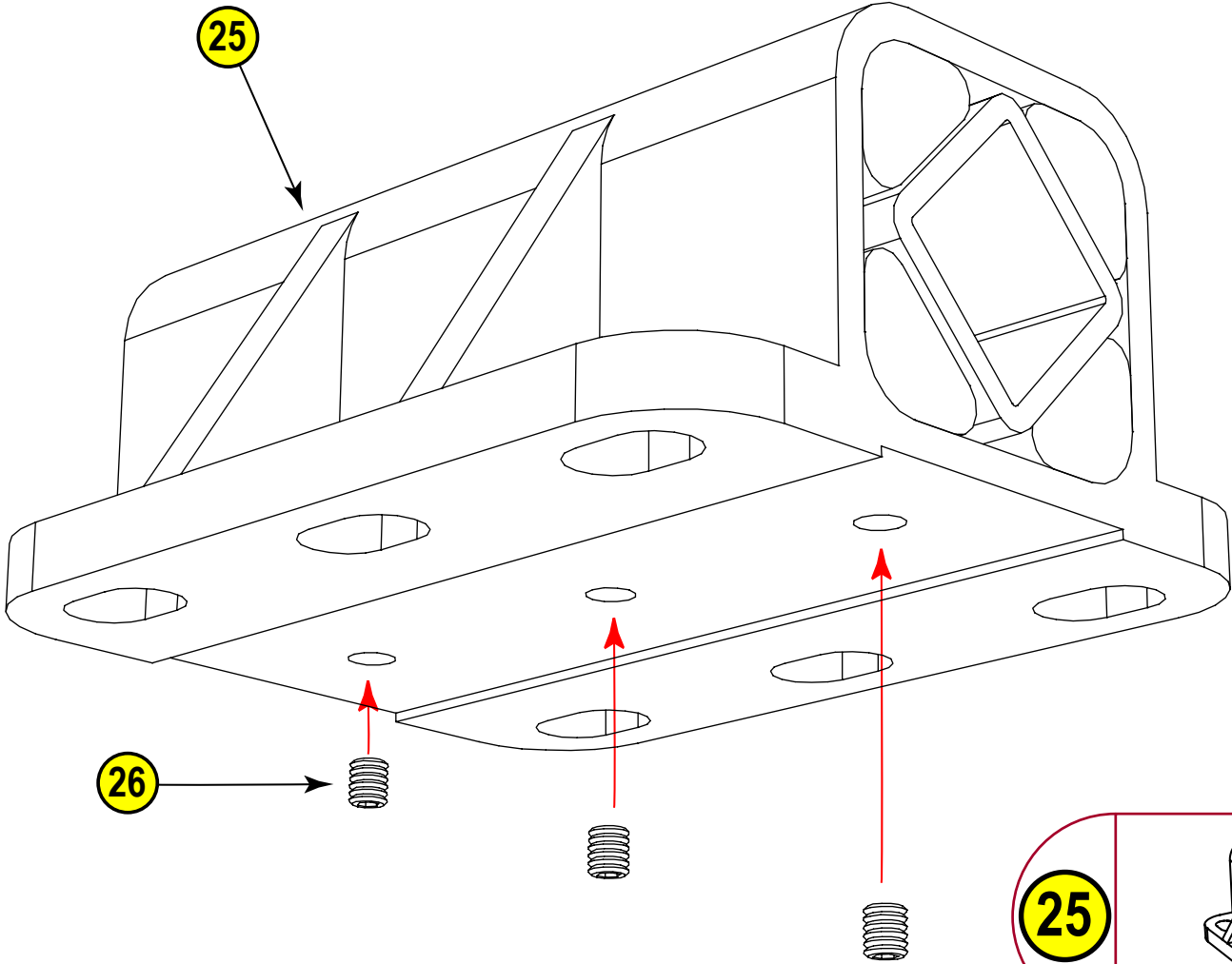
24



502506

2 No

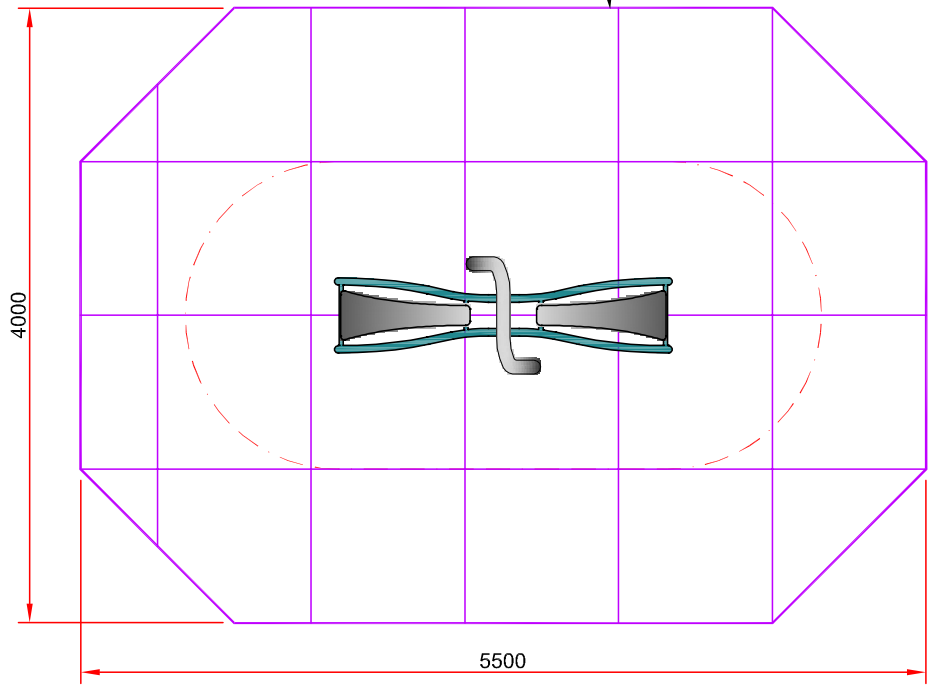
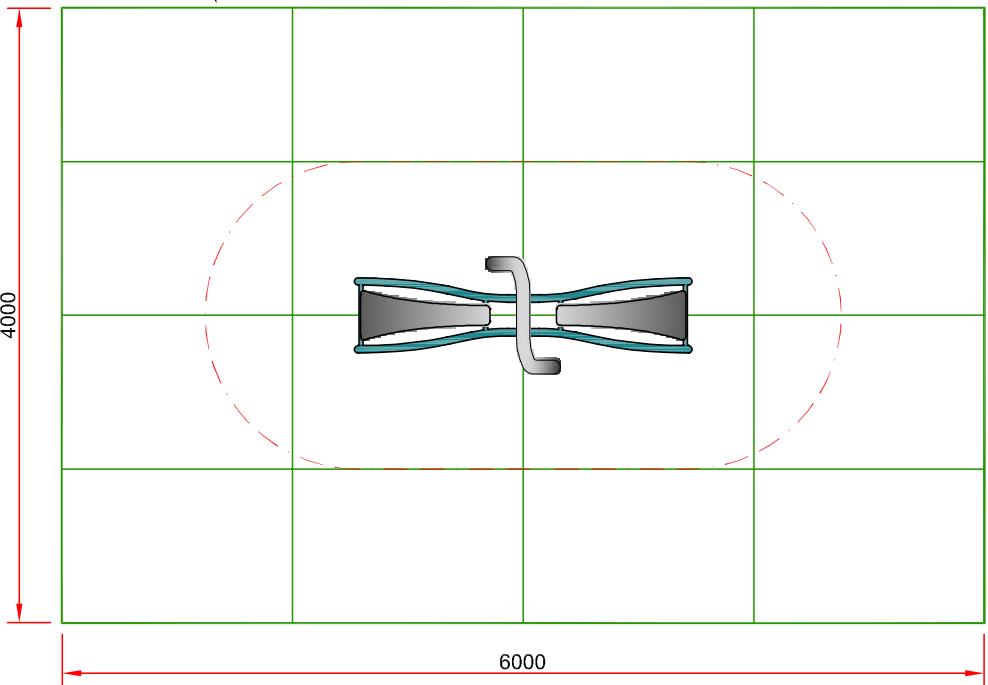
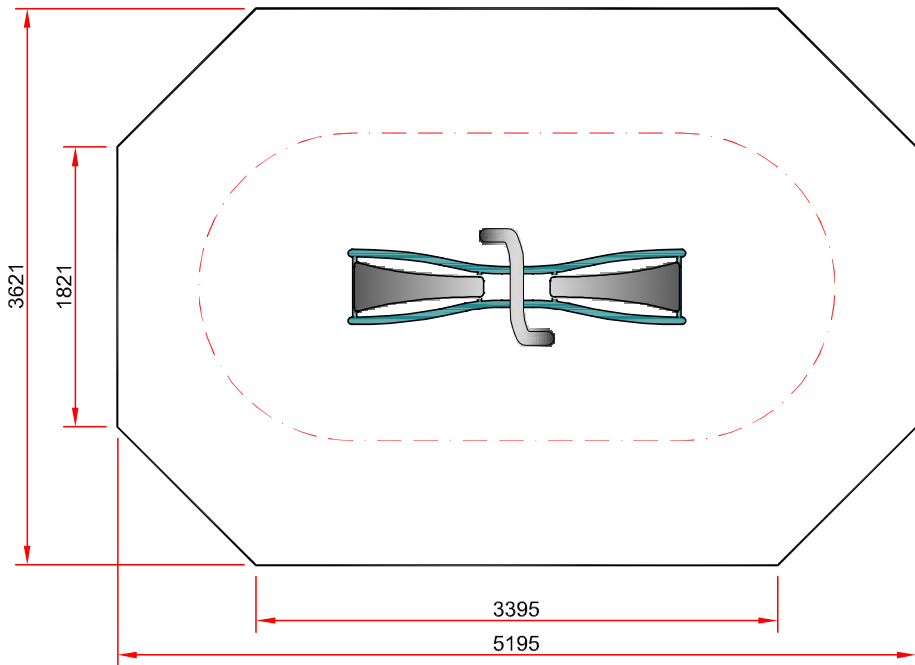
Appendix C_502102



25		502520 1 No
-----------	--	------------------------------

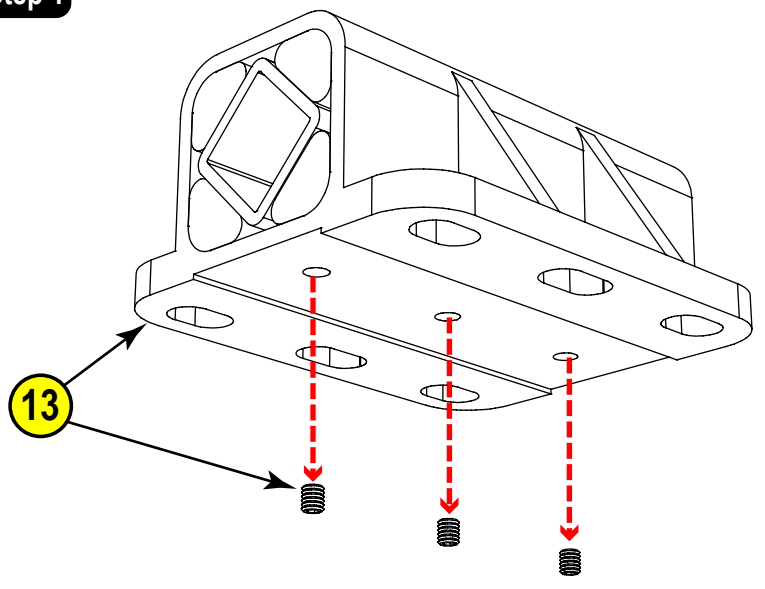
26		502523 3 No M8 x 8
-----------	--	--

Appendix D

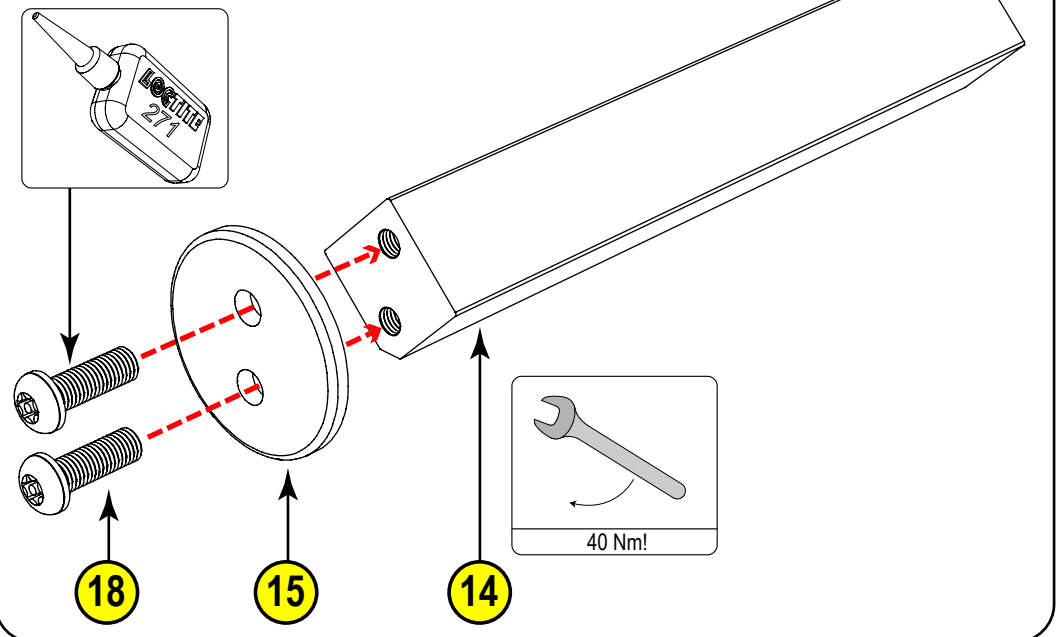


Appendix E_ 1/2

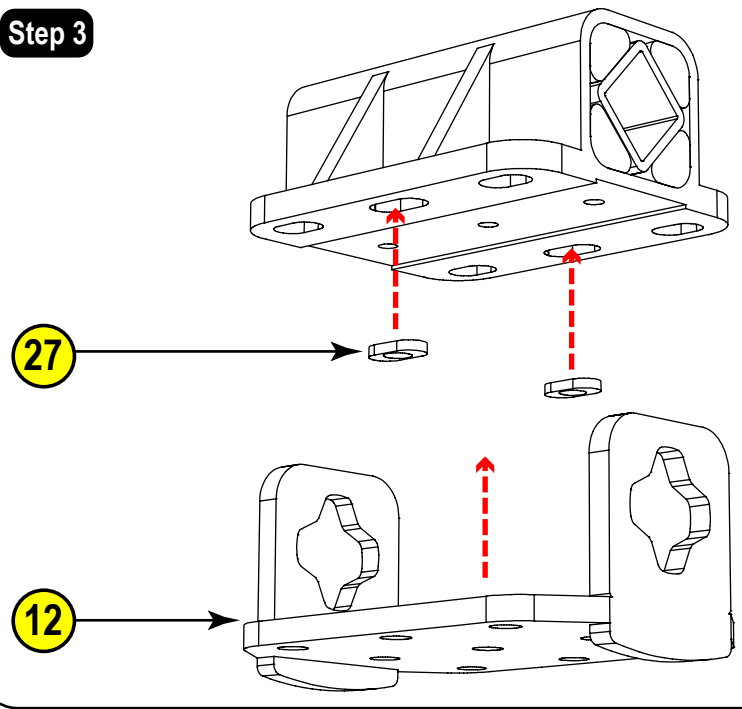
Step 1



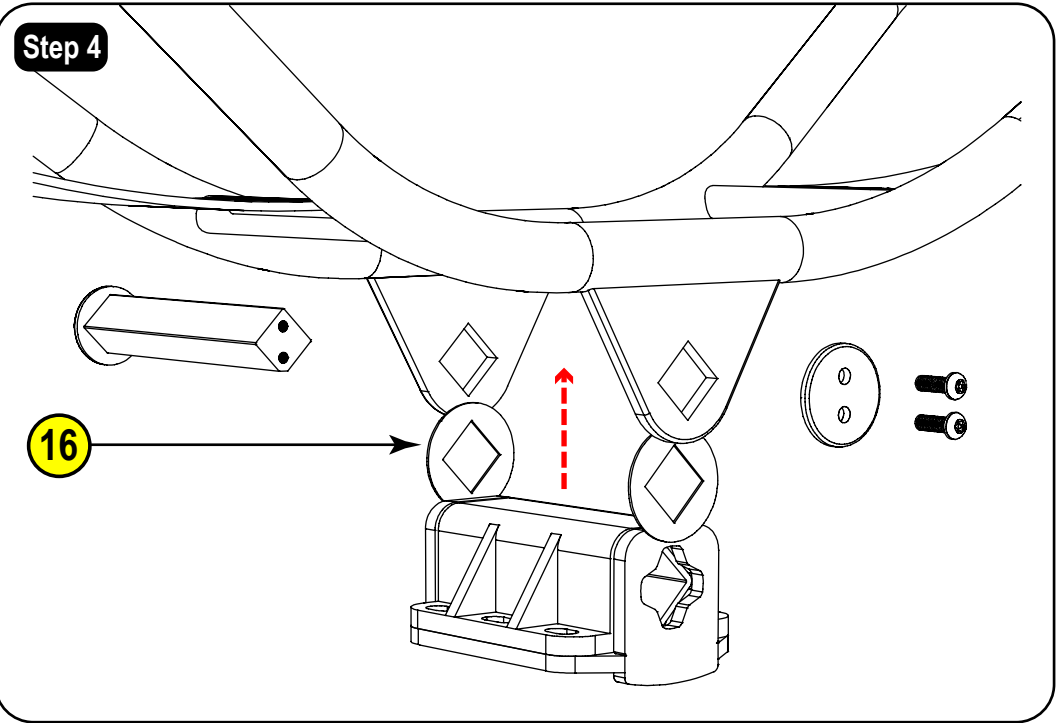
Step 2



Step 3



Step 4



Appendix E_ 2/2

