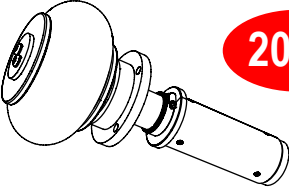




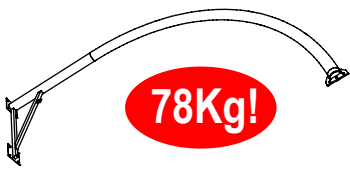
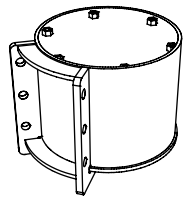
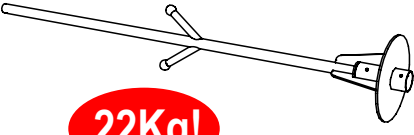
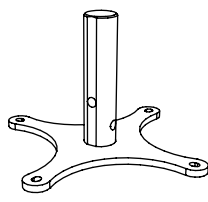
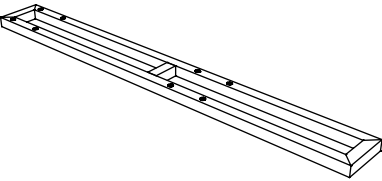
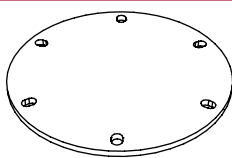
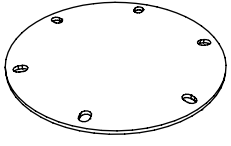

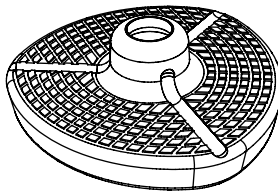
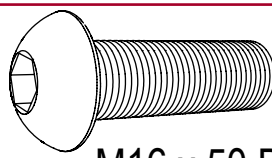
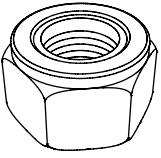
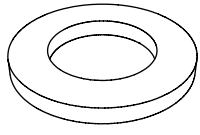
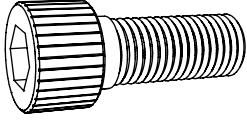
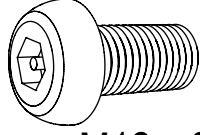
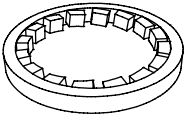
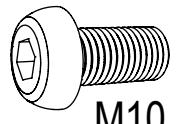
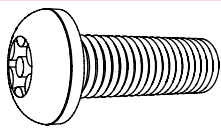


1	 <p>20Kg!</p>	<p>402100 1 No Mechanism</p>	 144 - TYPE 1	 144 - TYPE 2	 144 - TYPE 3	 144 - TYPE 5
2	 <p>78Kg!</p>	<p>402300 2 No Half Arch</p>	3	 <p>16Kg!</p>	<p>402301 1 No Mechanism Housing</p>	
4	 <p>22Kg!</p>	<p>402302 1 No Pendulum</p>	5		<p>402303 1 No Stand Retaining Pin</p>	
6		<p>402304 2 No Ski</p>	7		<p>402410 1 No Mech Housing Cover</p>	
8		<p>402431 1 No Mech Housing Gasket</p>	9		<p>402430 1 No Stand Sleeve</p>	
10		<p>402500 1 No Stand</p>	11		<p>10121650 6 No M16 x 50 Button Headed Screw</p>	
12		<p>10321600 6 No M16 Nyloc Nut</p>	13		<p>10381600 12 No M16 Form 'A' Washer</p>	
14		<p>10131230 2 No M12 x 30 Socket Cap Head Screw</p>	15		<p>10121225 4 No M12 x 25 Button Headed Screw</p>	
16		<p>10391200 4 No M12 Shakeproof Washer</p>	17		<p>10141020 6 No M10 x 20 Socket Button Head</p>	

18



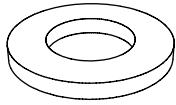
10121030

6 No

M10 x 30 Resistor Bolt



19

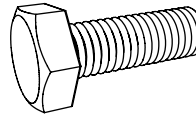


10381000

6 No

M10 Form 'A' Washer

20

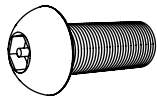


10231030

16 No

M10 x 30 Hexagonal Set Screw

21

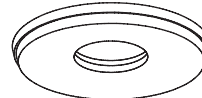


10120820

4 No

M8 x 20 Tamper Proof Bolt

22

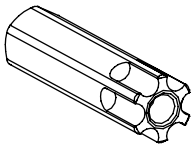


10300010

6 No

M10 Bonded Washer

23



10121000

1 No

M10 Resistor Fixing tool

24



950103

1 No

M8 Fixing Tool

25

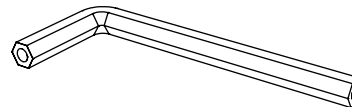


78804031

1 No

Geocel Silicone Sealant

29

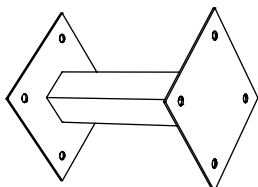


950110

1 No

M12 Fixing Tool

26



305802

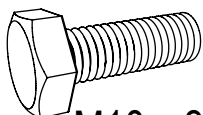
4 No

Bark Extension Unit



RA402B

27

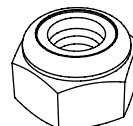


10251030

16 No

M10 x 30 Hexagonal Set Screw

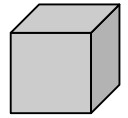
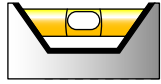
28



10321000

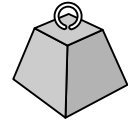
16 No

M10 Nyloc Nut



LxWxH (m)

2.19 x 0.76 x 0.79



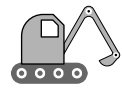
kg

272



m³

0.47



m²

10 x 10



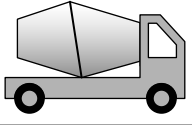
EN1176

H=0.6m




x2


3hr



S2 (50mm)
≥C20-25



7 x 24h



101

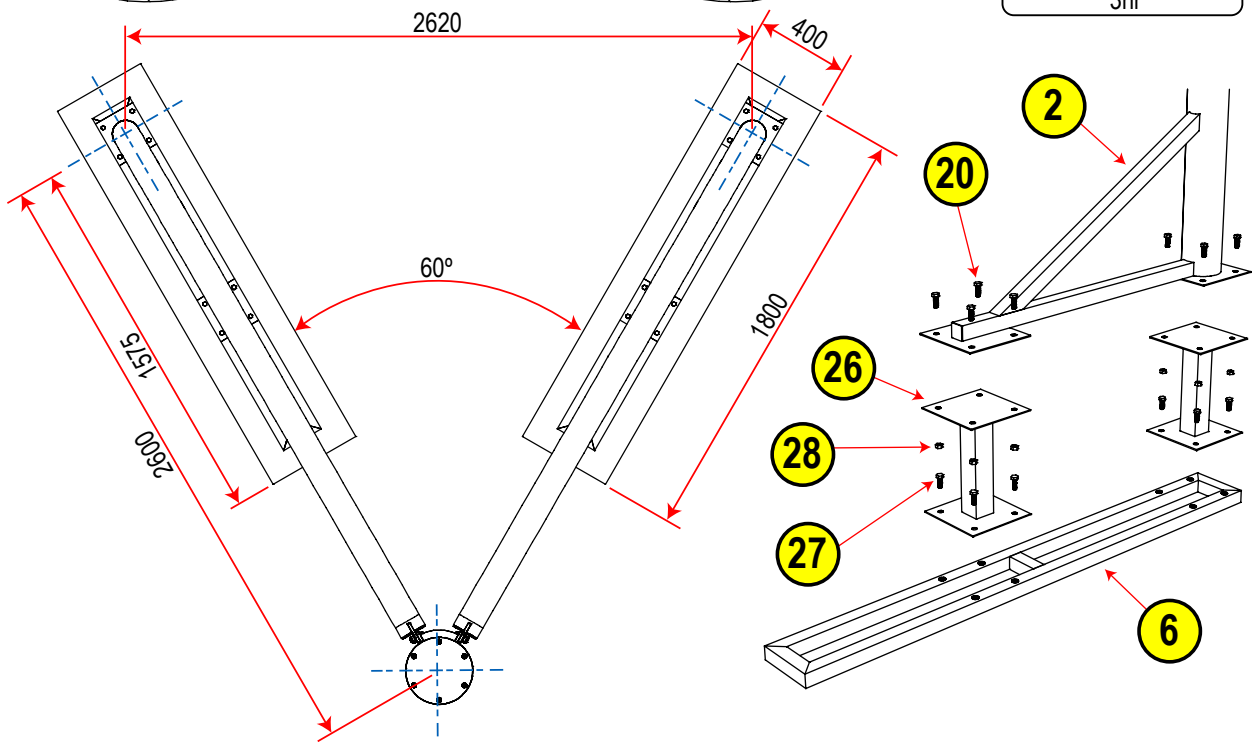
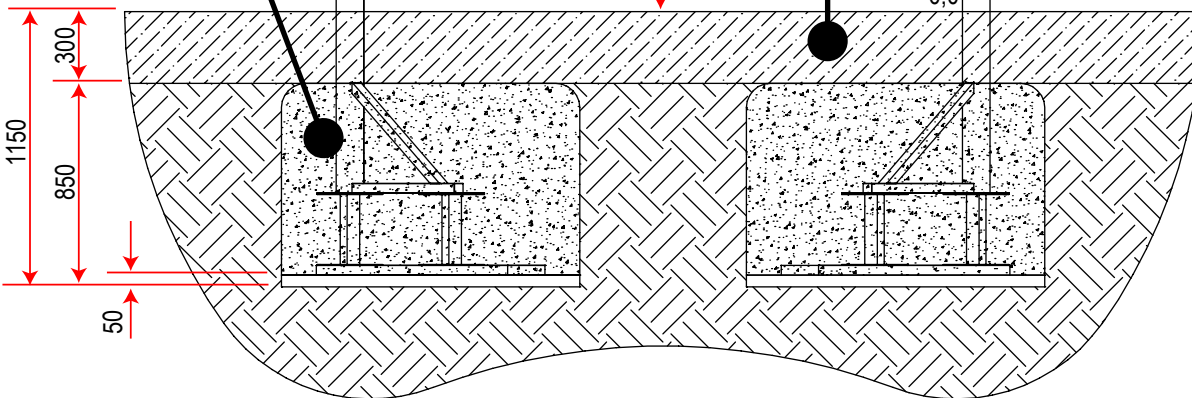
2713

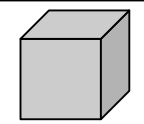
RA402B

 144
TYPE 1

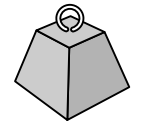
 144
TYPE 2

0,0





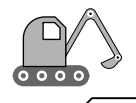
LxWxH (m)
2.19 x 0.76 x 0.79



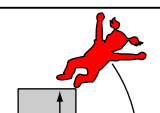
kg
248



m³
0.47



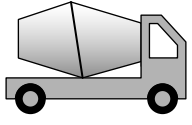
m²
10 x 10





EN1176
H=0.6m




x2
3hr

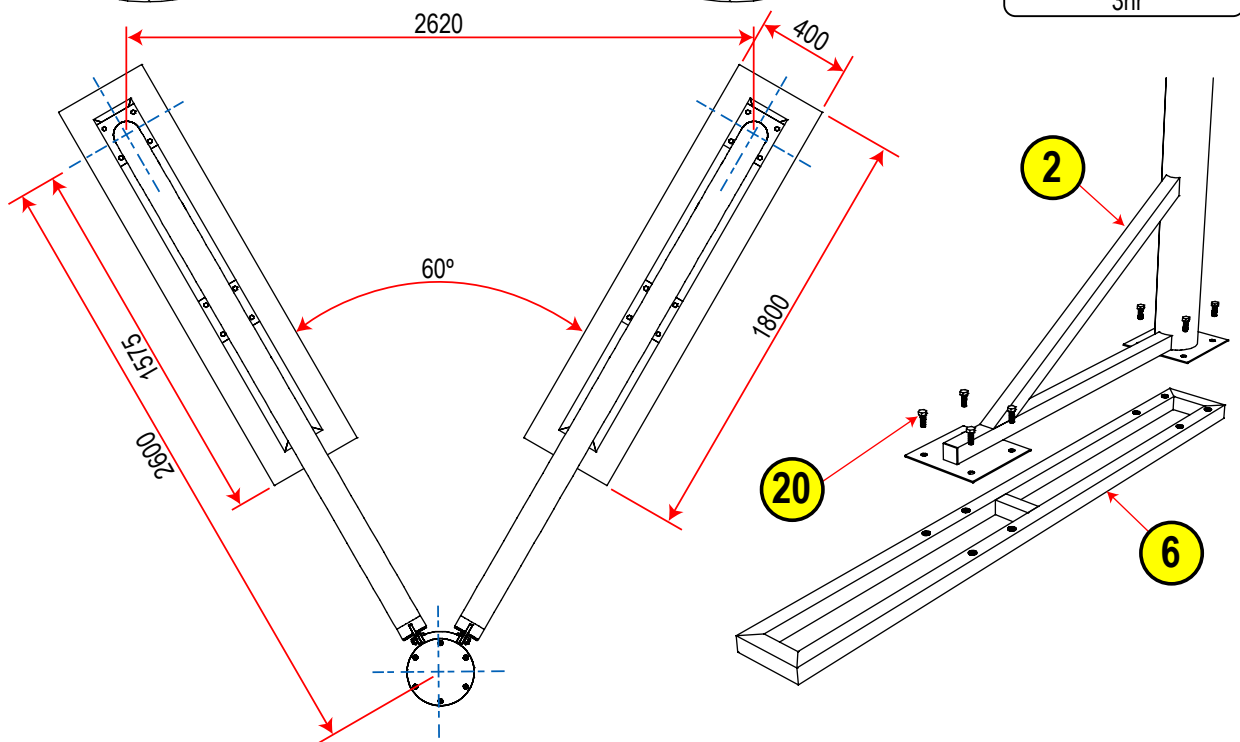
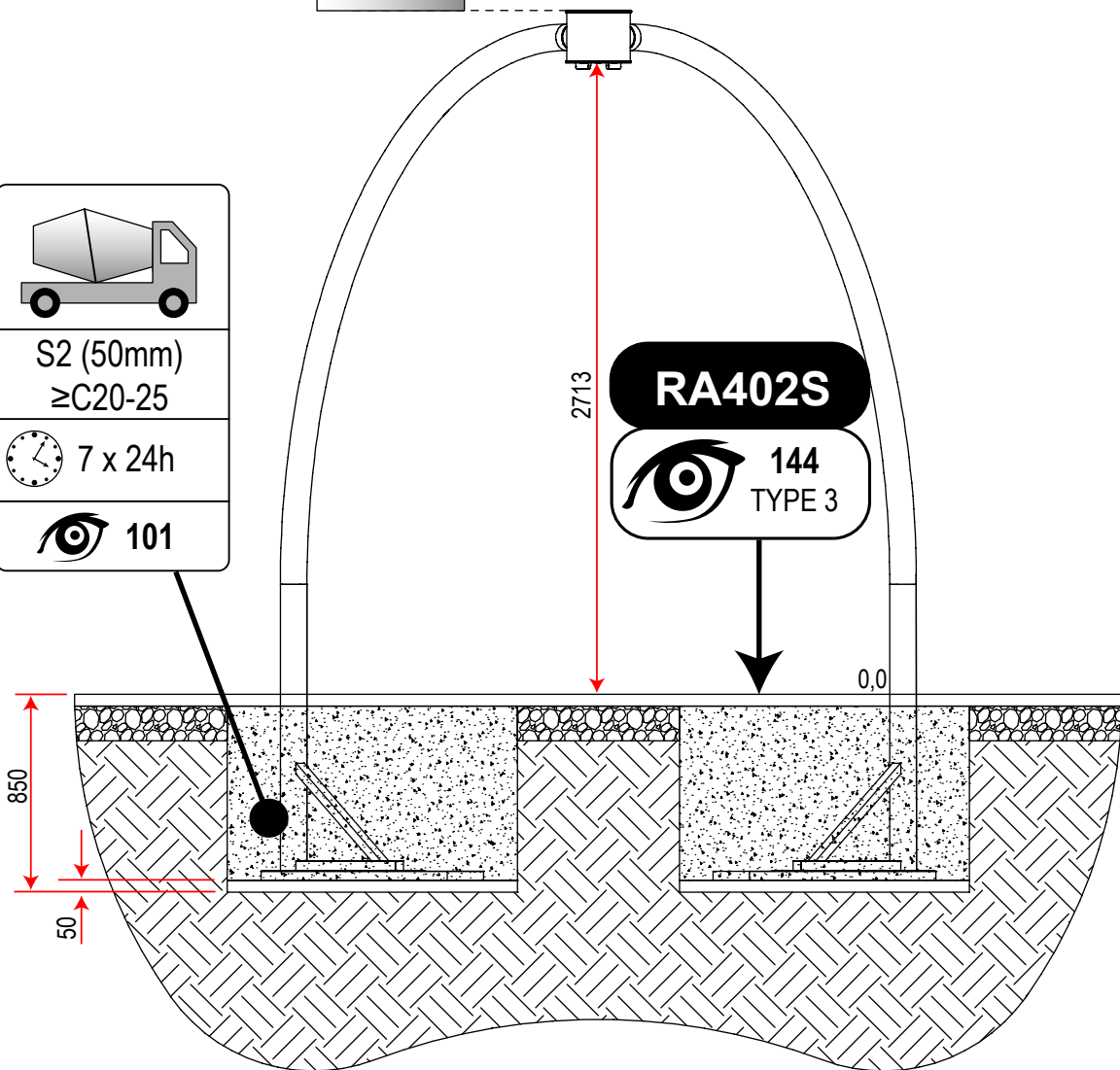

S2 (50mm)
≥C20-25

 7 x 24h

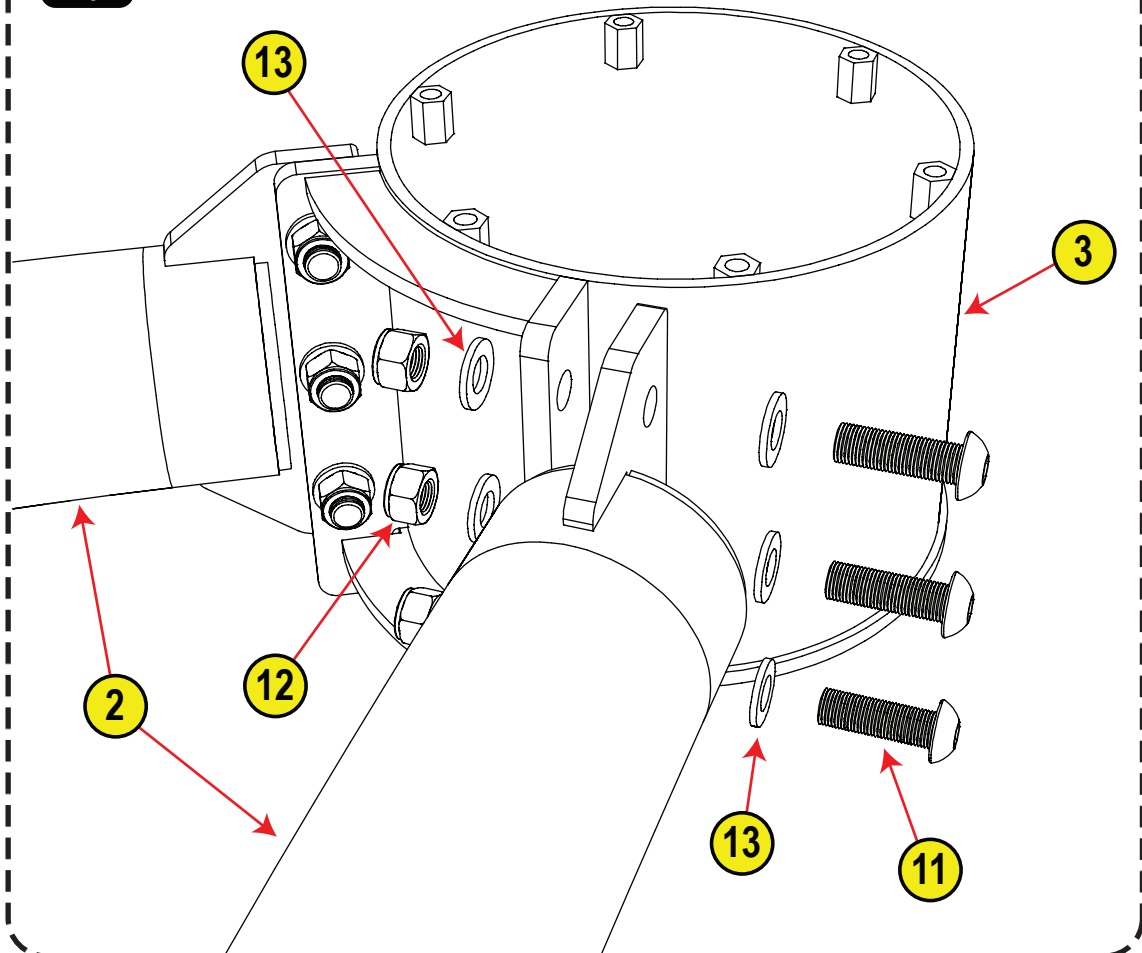
 101

RA402S

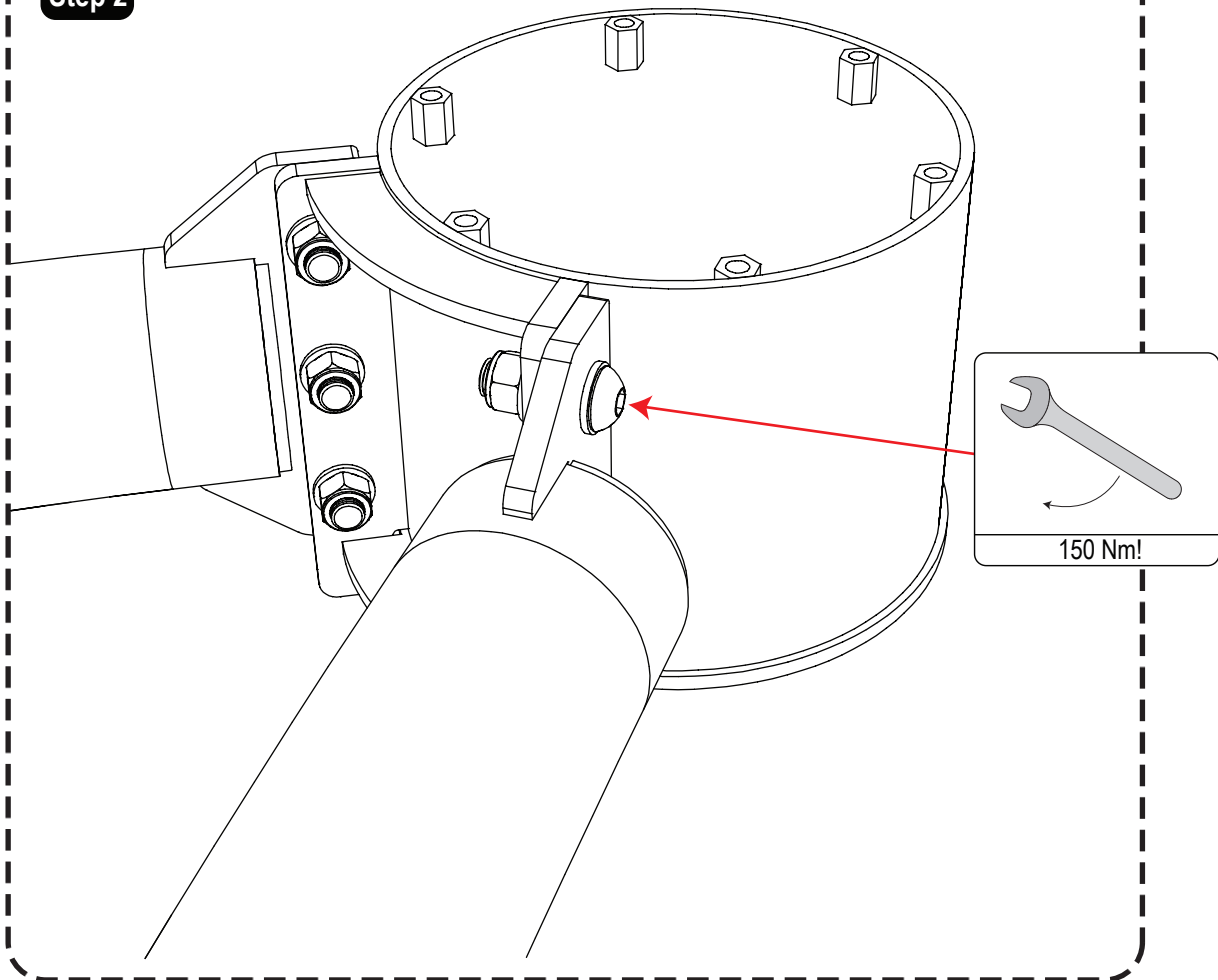
 **144**
TYPE 3



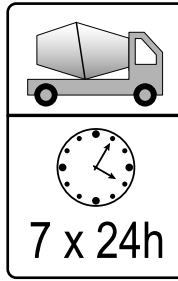
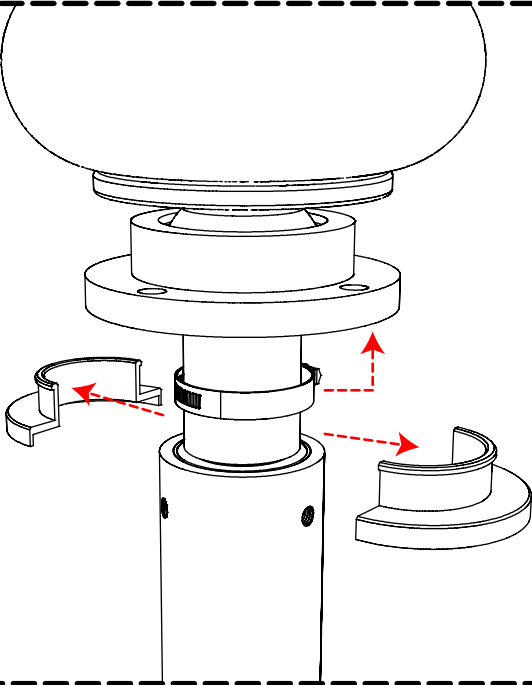
Step 1



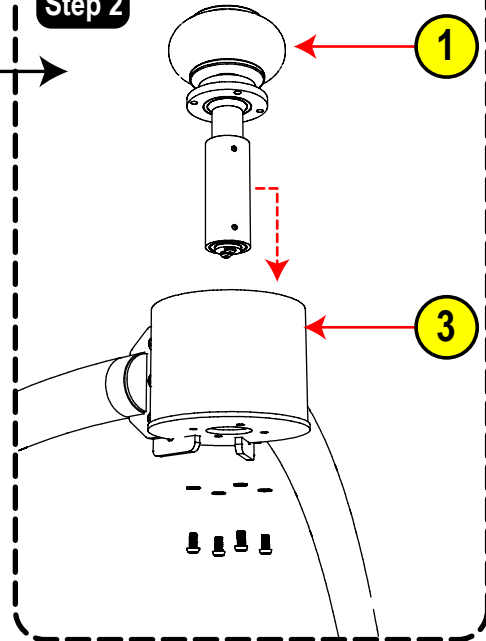
Step 2



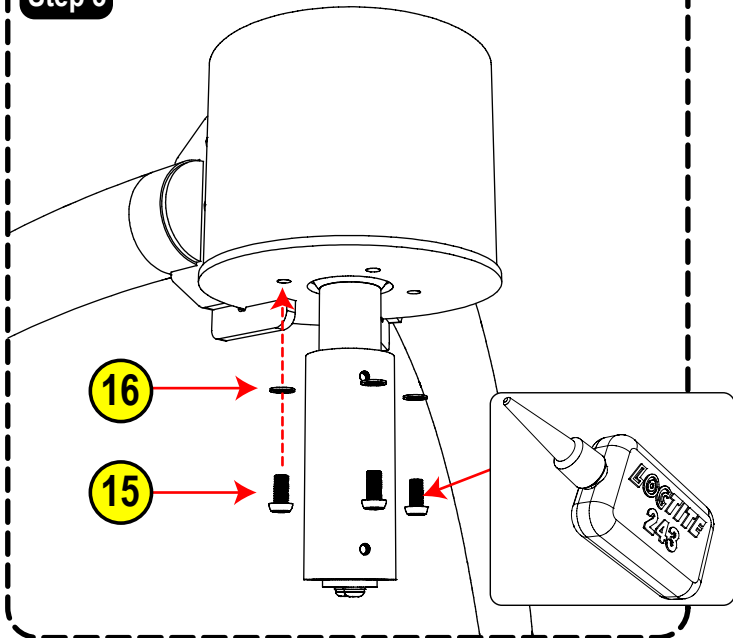
Step 1



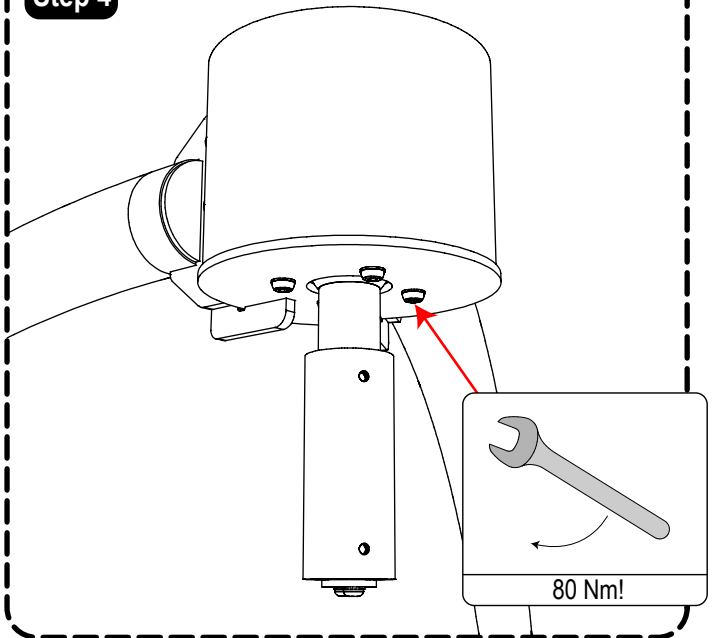
Step 2



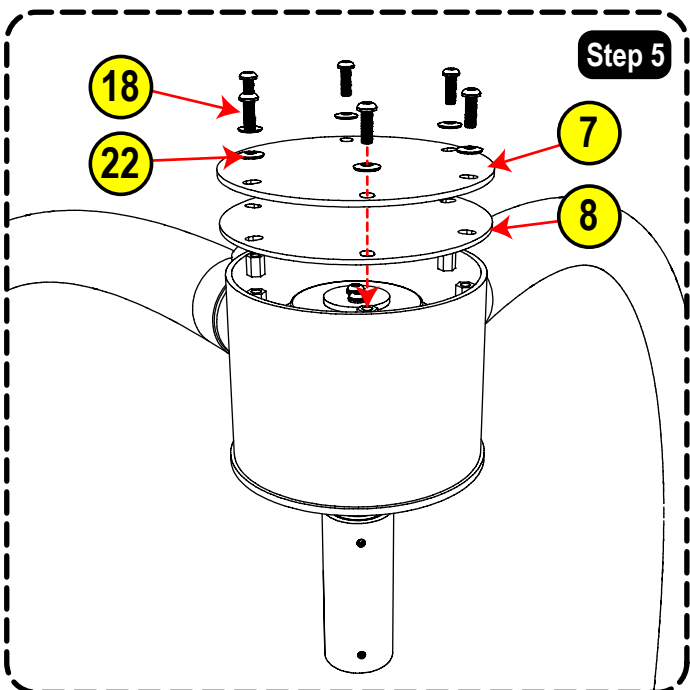
Step 3



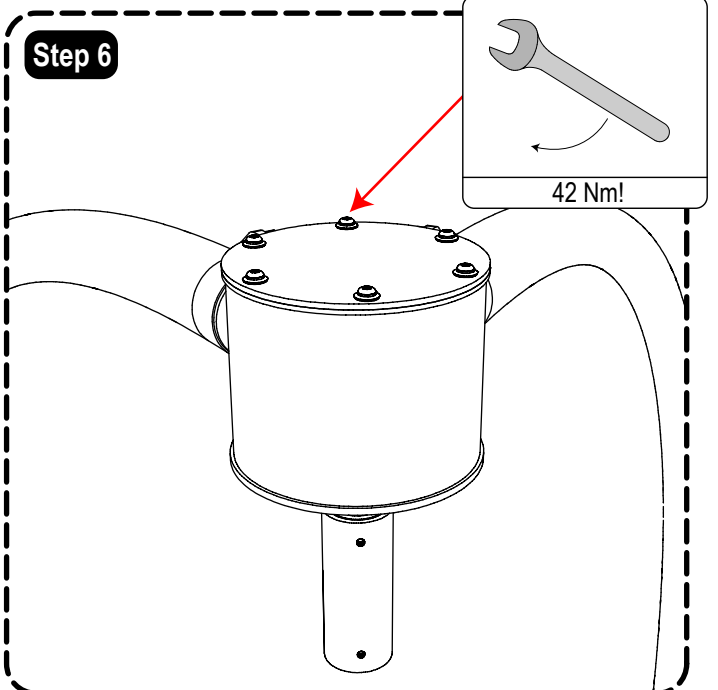
Step 4



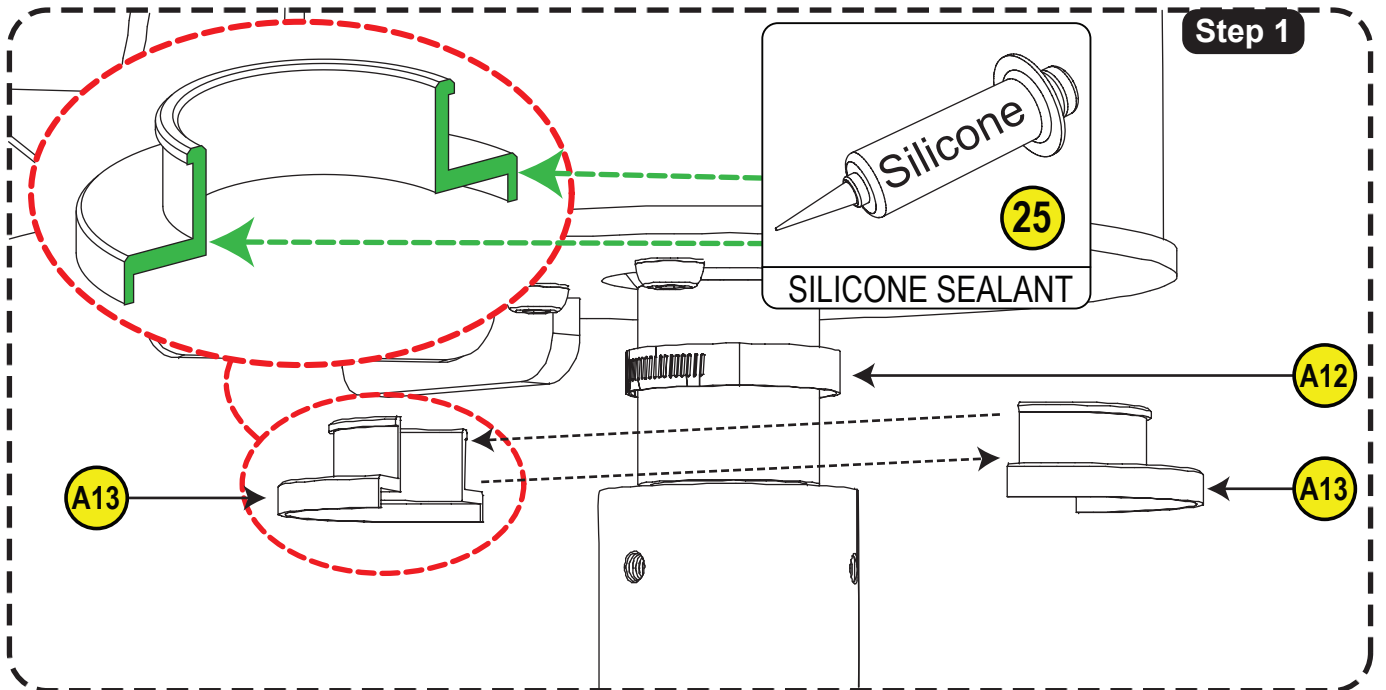
Step 5



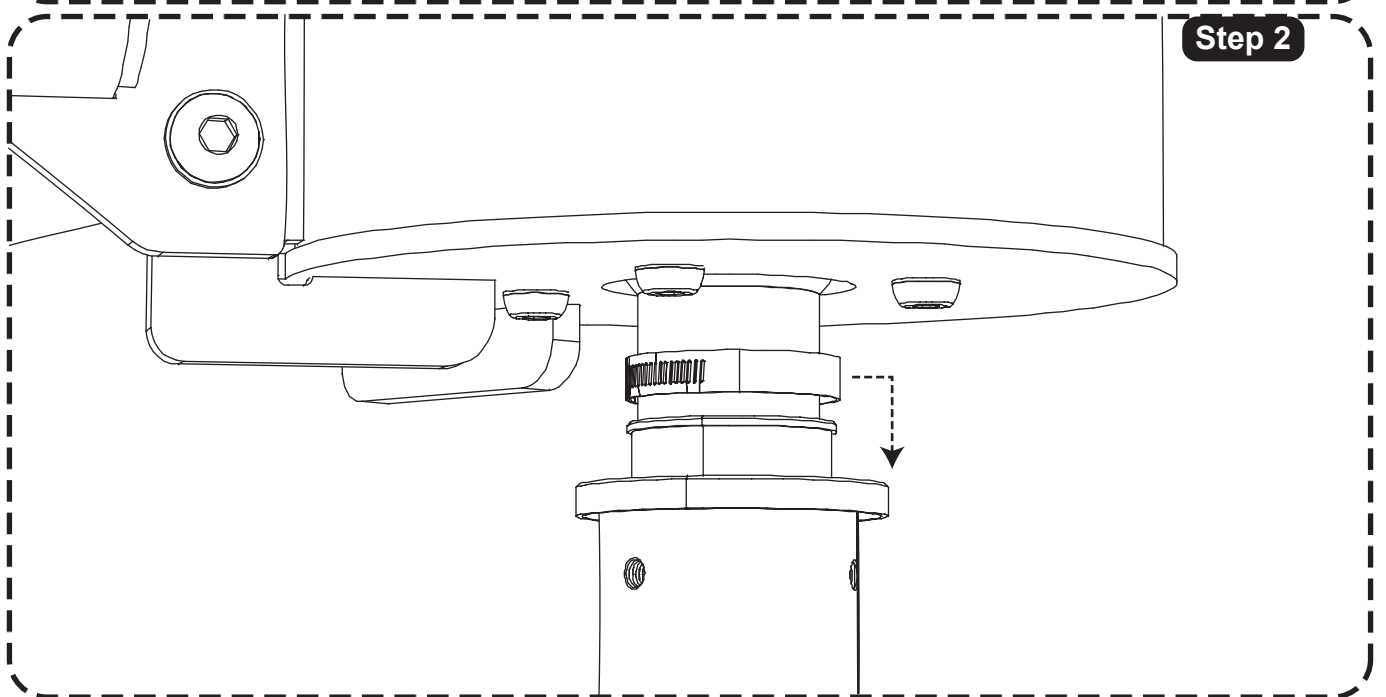
Step 6



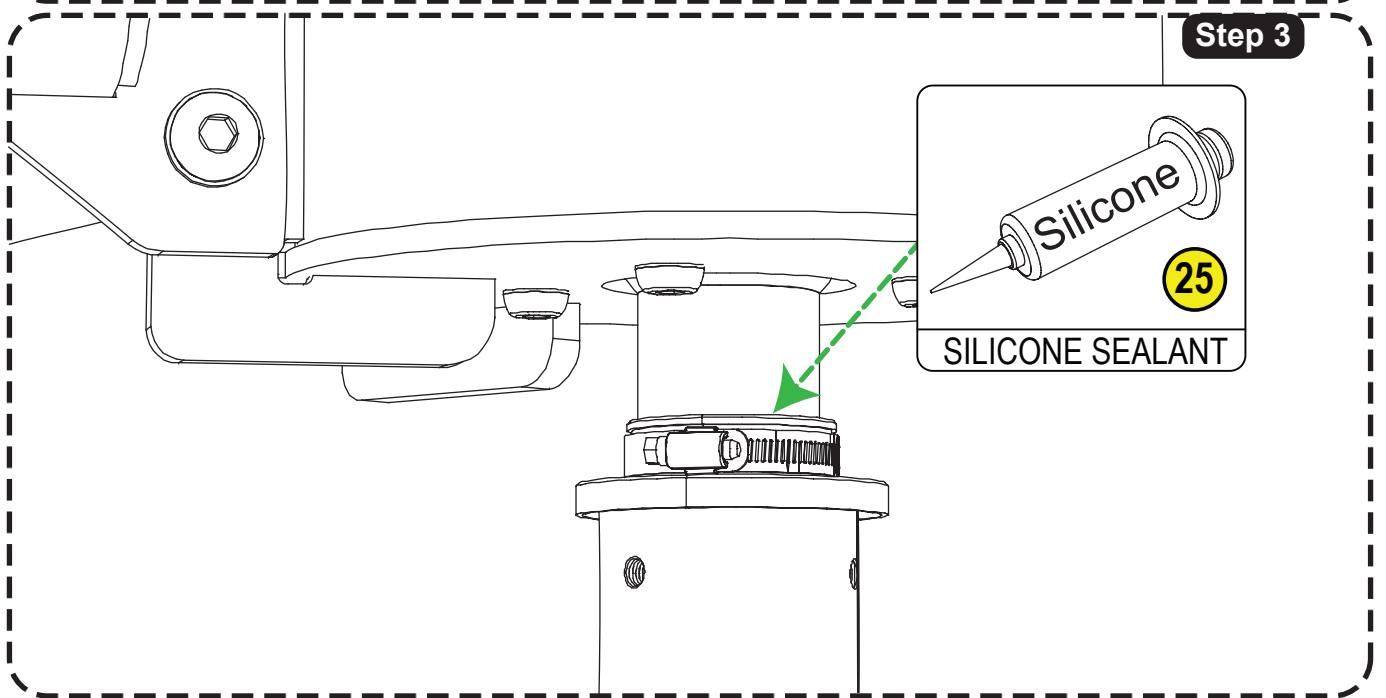
Step 1



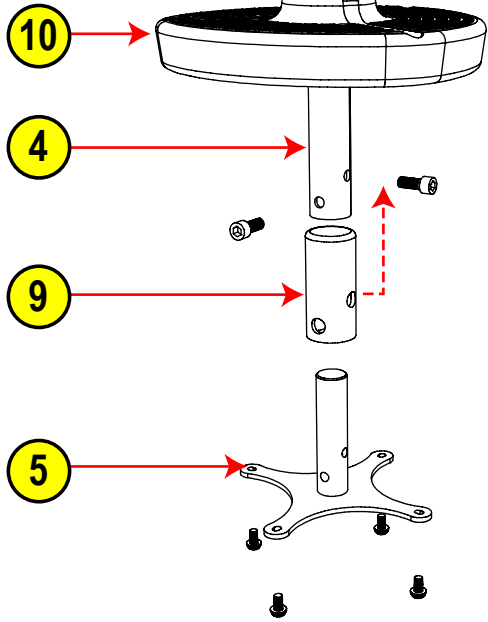
Step 2



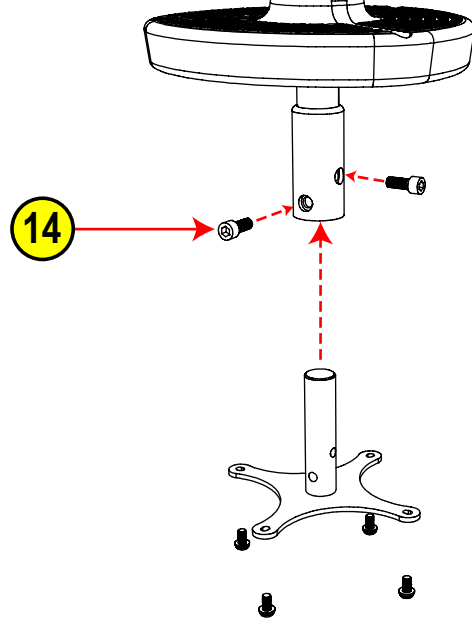
Step 3



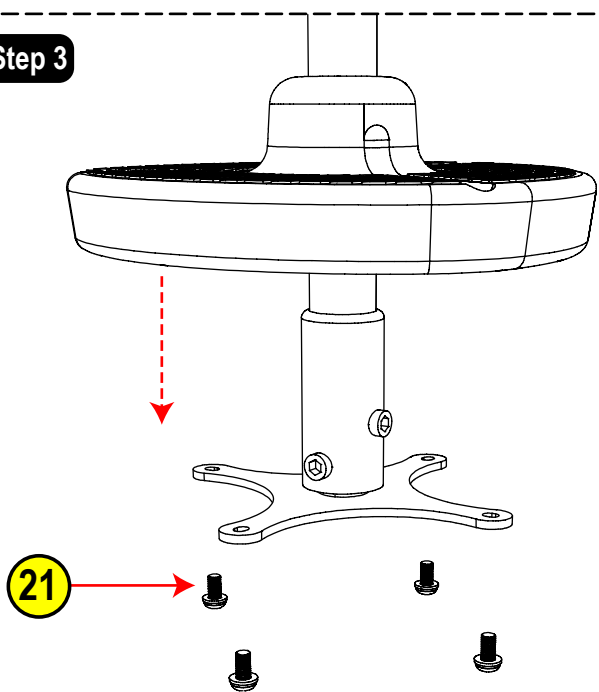
Step 1



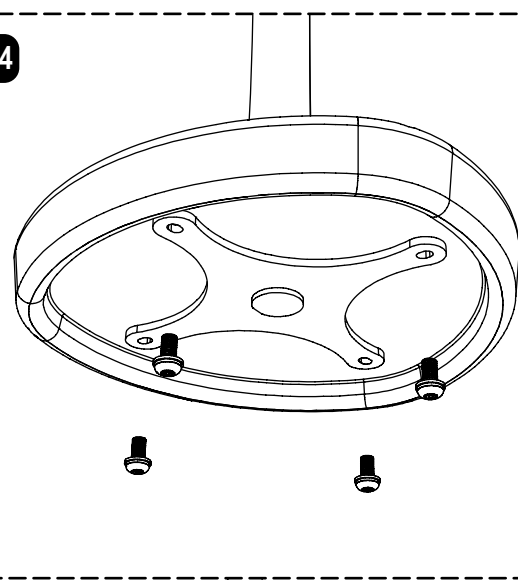
Step 2



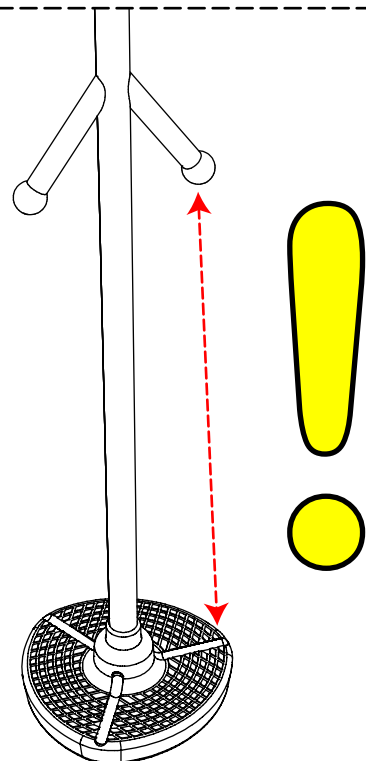
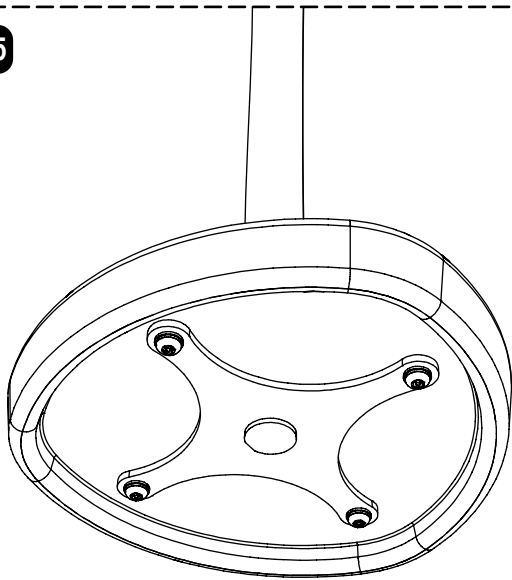
Step 3



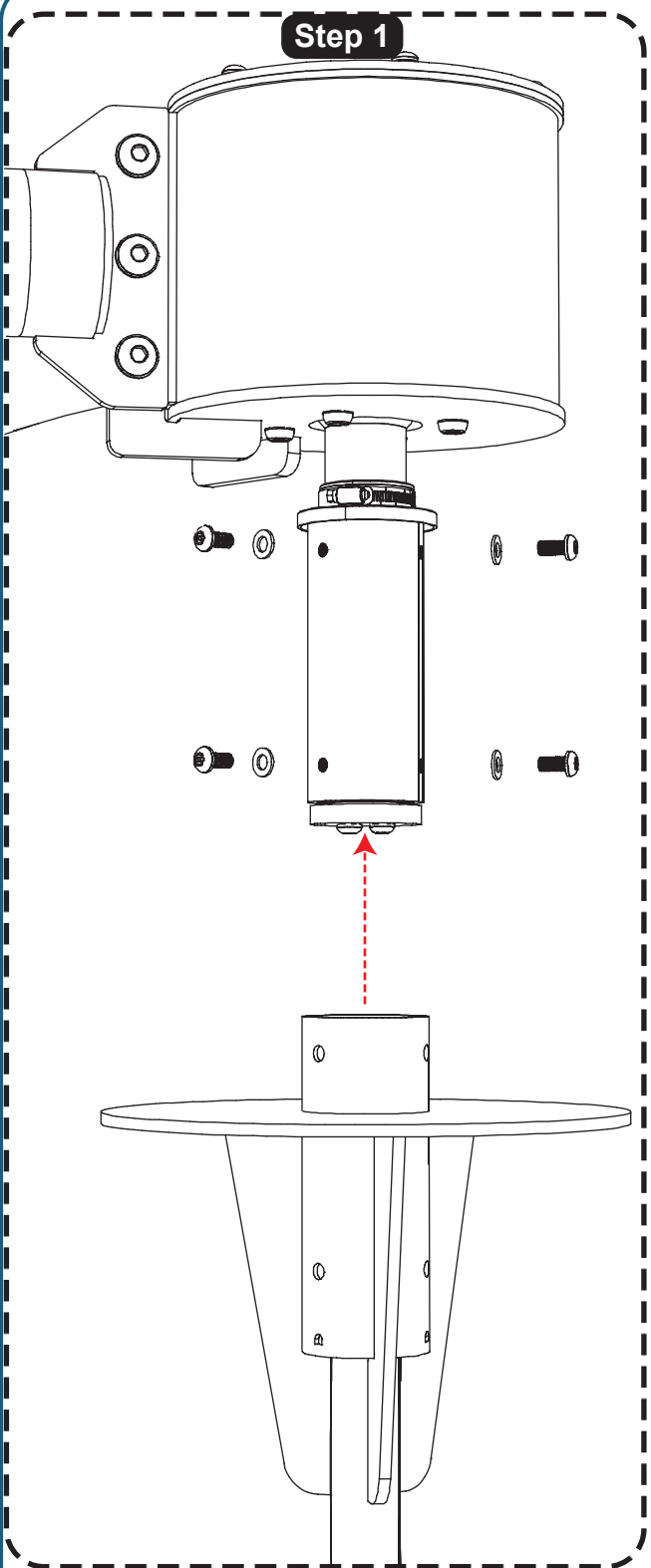
Step 4



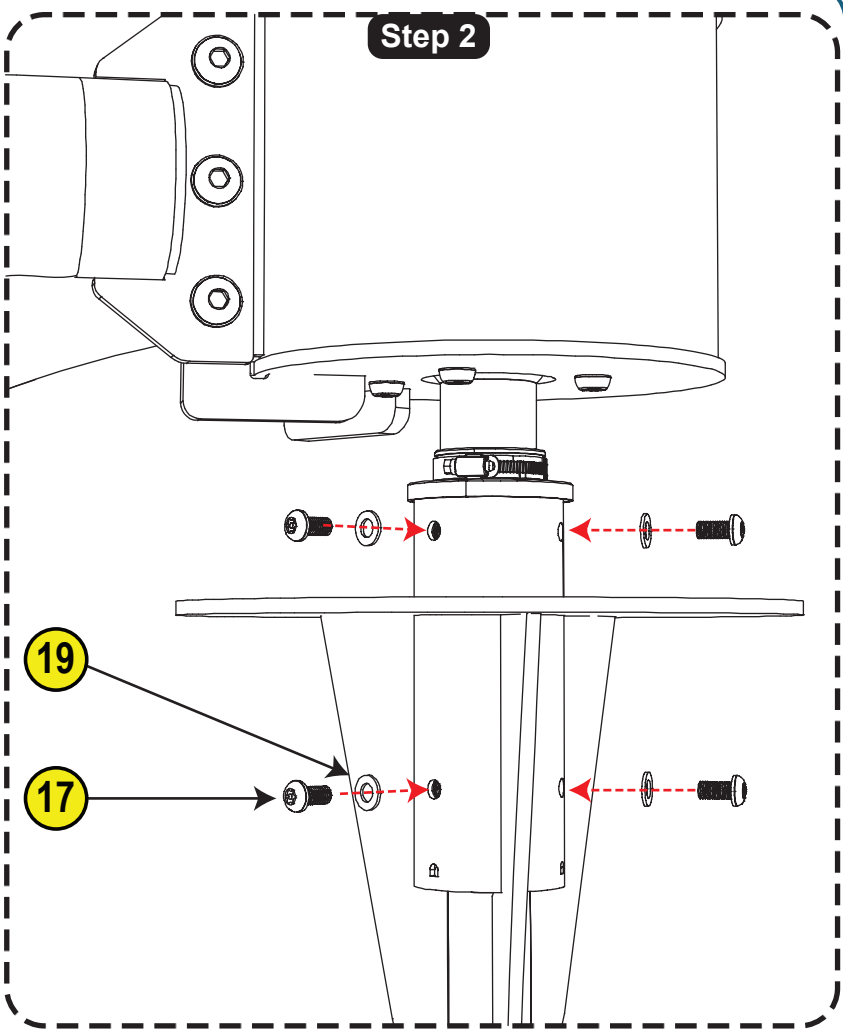
Step 5



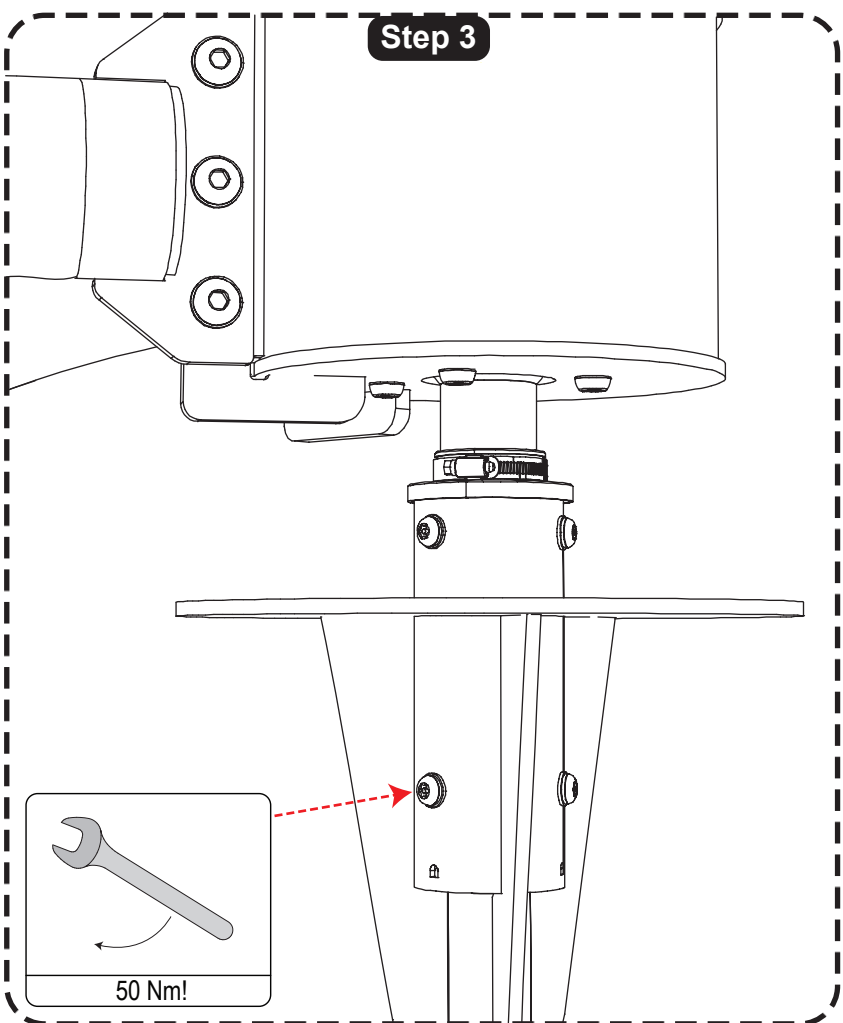
Step 1

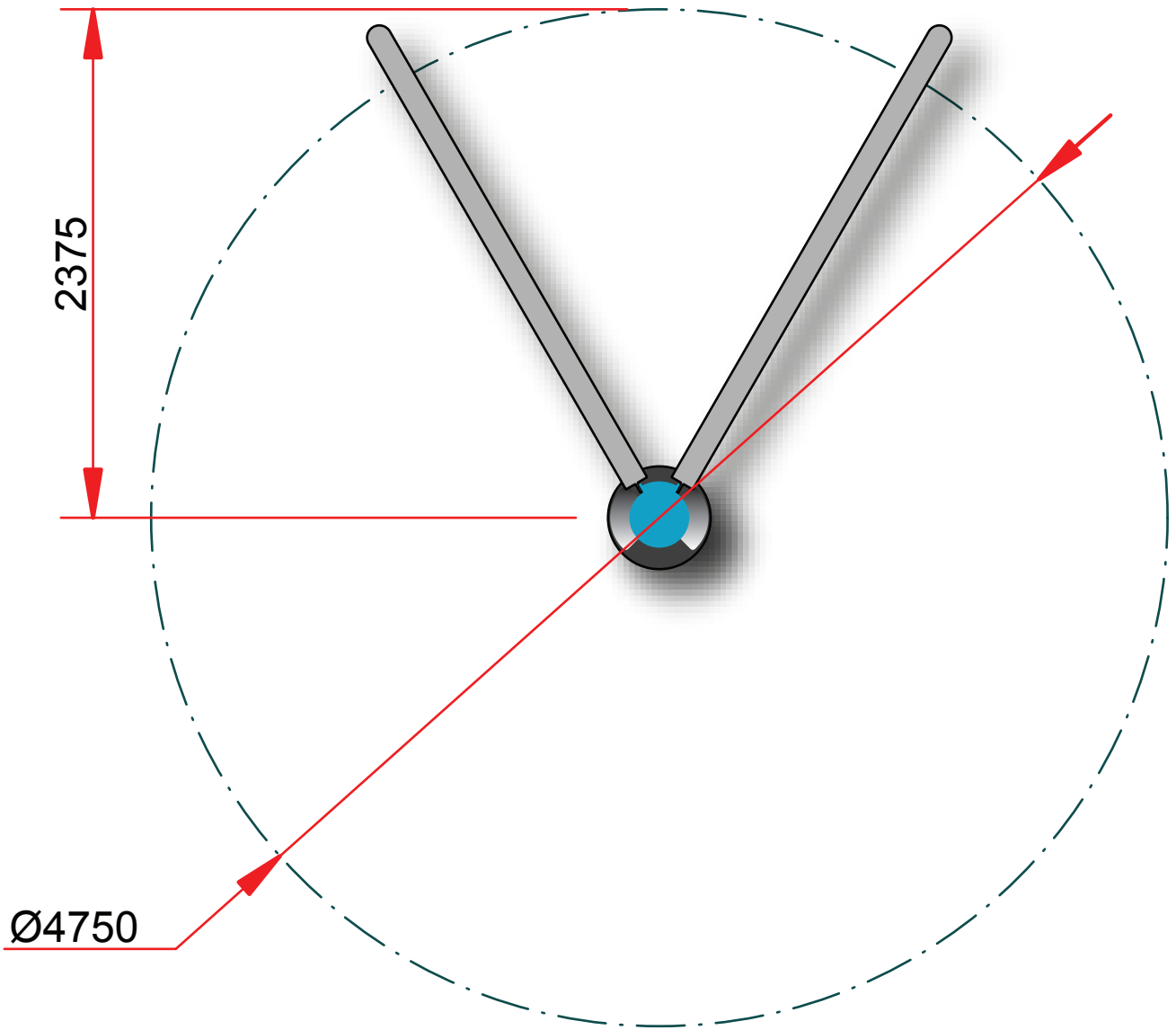
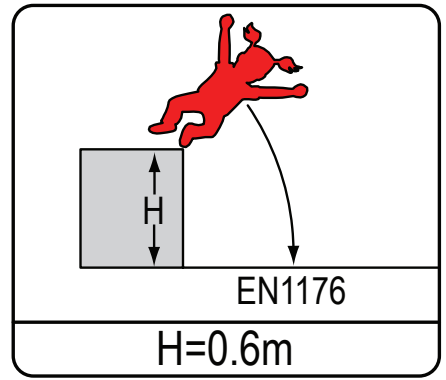


Step 2

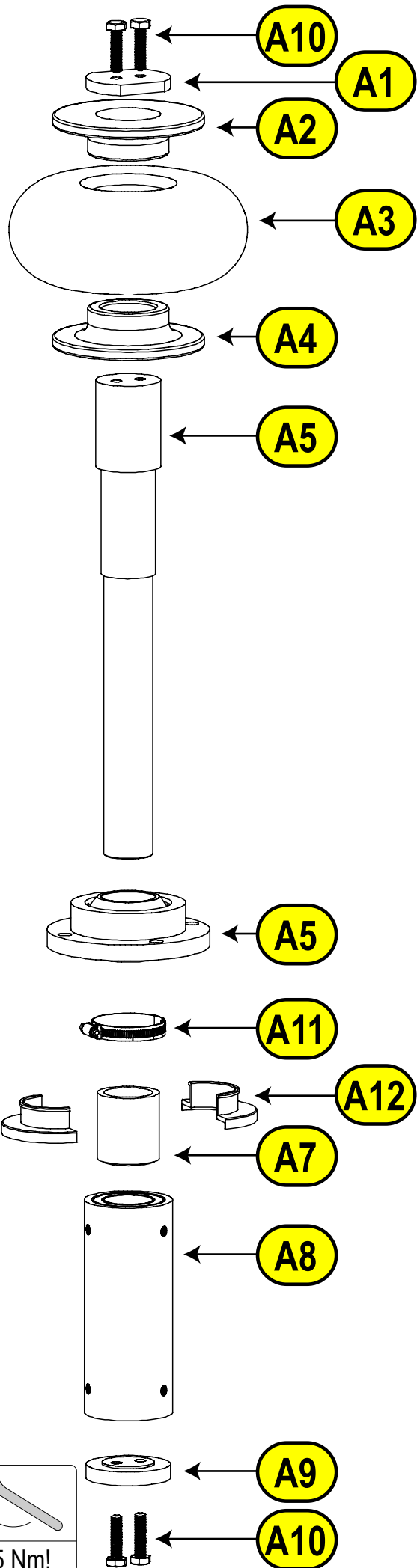


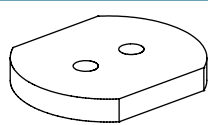
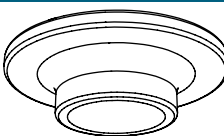
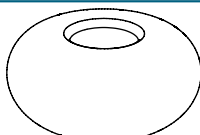
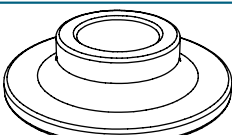
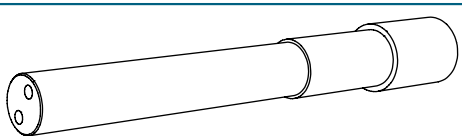
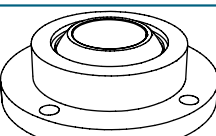
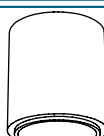
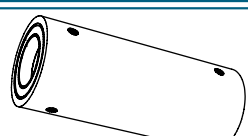
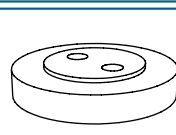
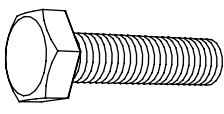
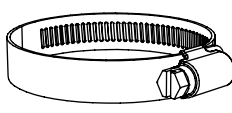
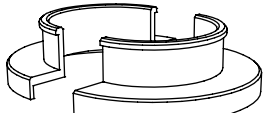
Step 3

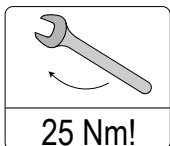




Annex A_402100 Mechanism



A1		402407 1 No Upper Securing Cap
A2		402420 1 No Donut Retainer Upper
A3		402503 1 No Compression Ring 'Donut'
A4		402421 1 No Donut Retainer Lower
A5		402422 1 No Shaft
A6		402423 1 No Spherical Bearing Housing
A7		402424 1 No Spacer
A8		402425 1 No Swivel Housing
A9		402408 1 No Failsafe Washer
A10		10231040 2 No M10 x 40 Hexagonal Set Screw
A11		402432 1 No Hose Clip
A12		402433 1 No Water Guard (In 2 Halves)



Annex B_Surfacing Setting Out Drawings

