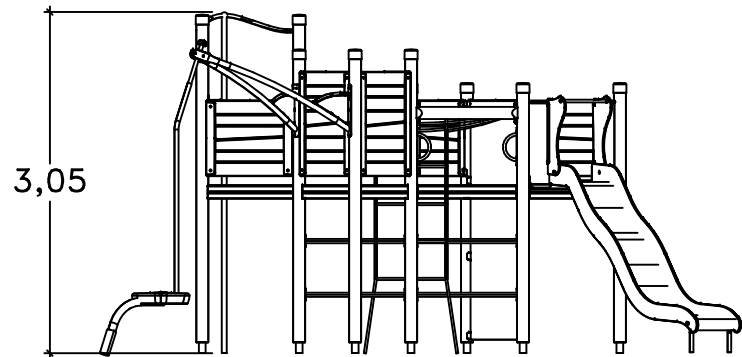
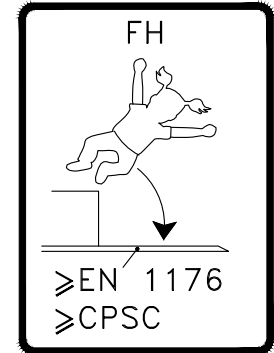
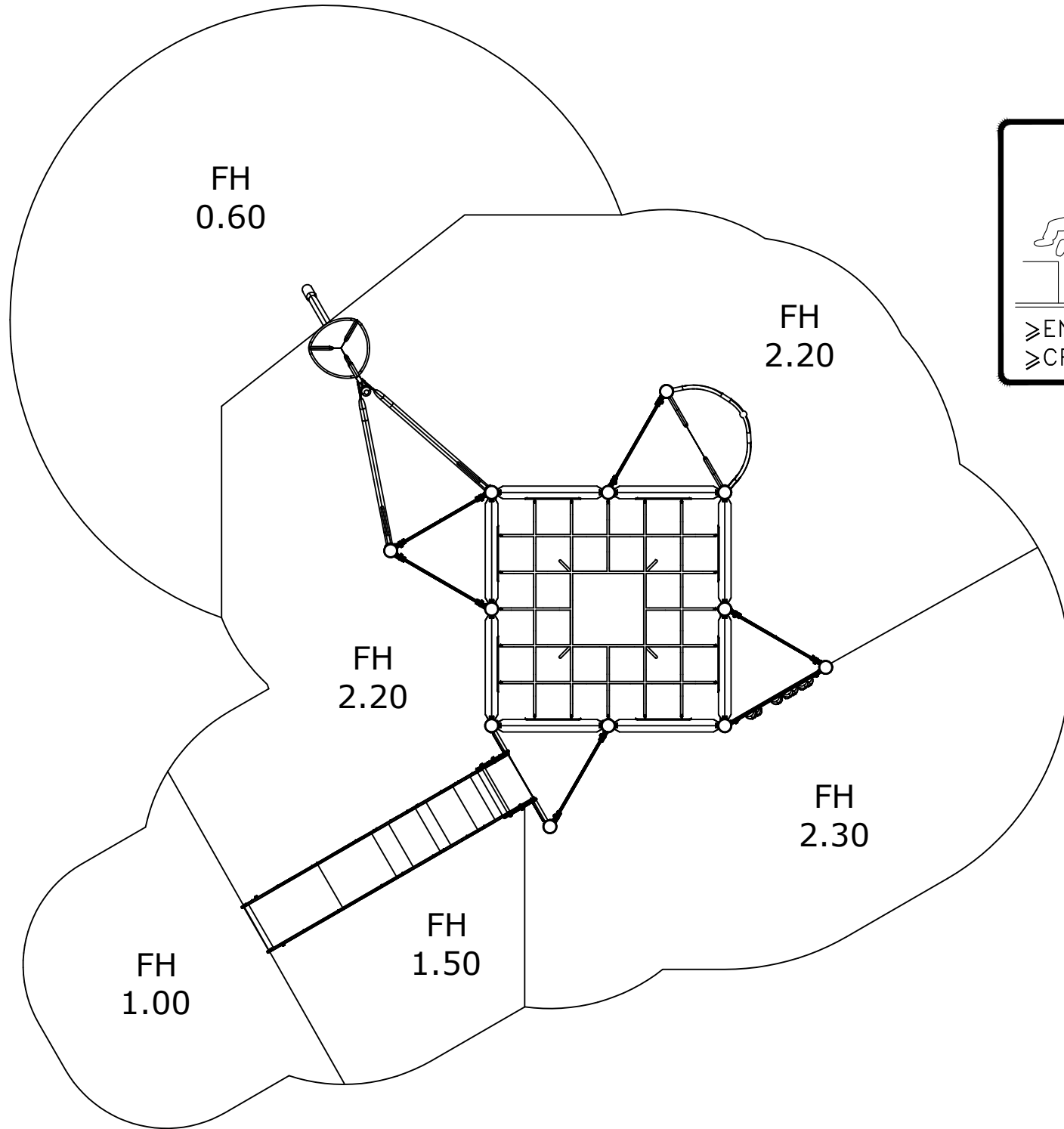
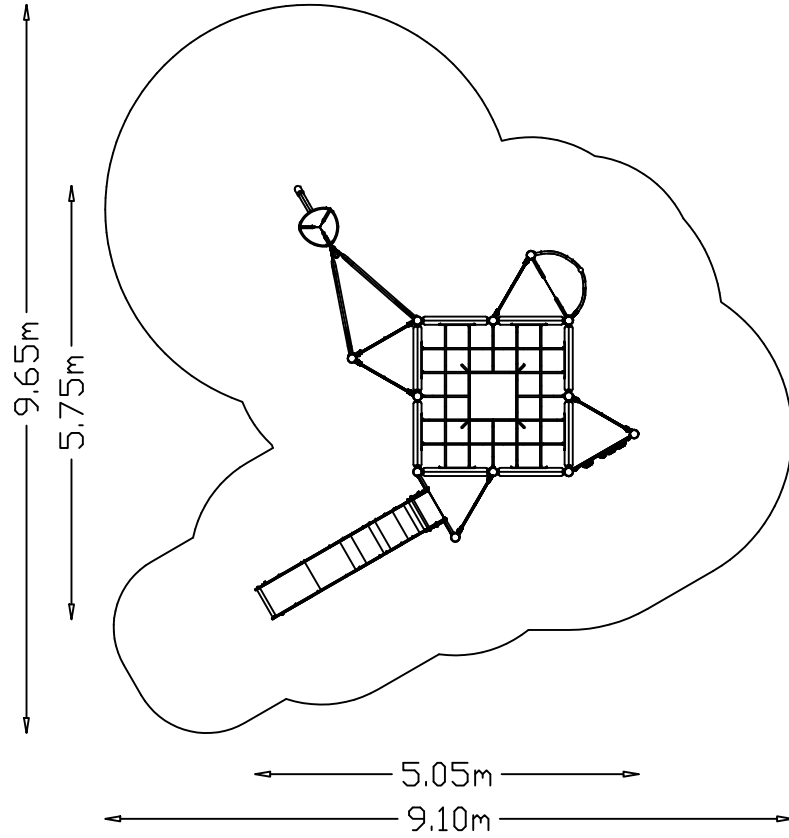


# UniPlay Jillbrad

1,0m 5,0m

[m]

60 m<sup>2</sup>



**HAGS** ANEBY, SWEDEN  
+46(0)380-47300  
www.hags.com

UniPlay Jillbrad  
MASW65020  
1/8

LN LN 2021-03-04 1



36h



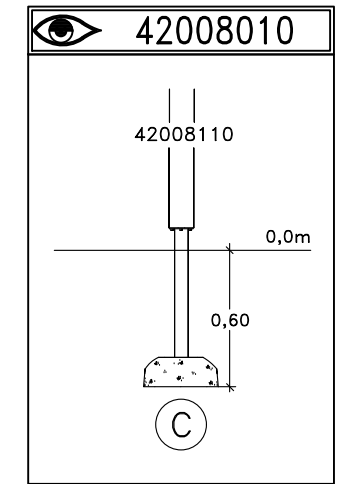
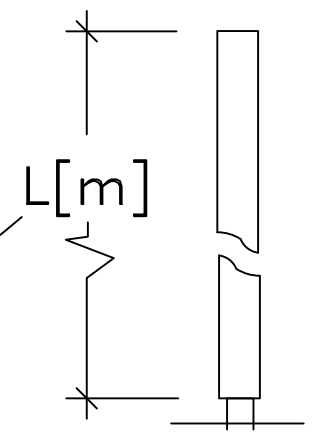
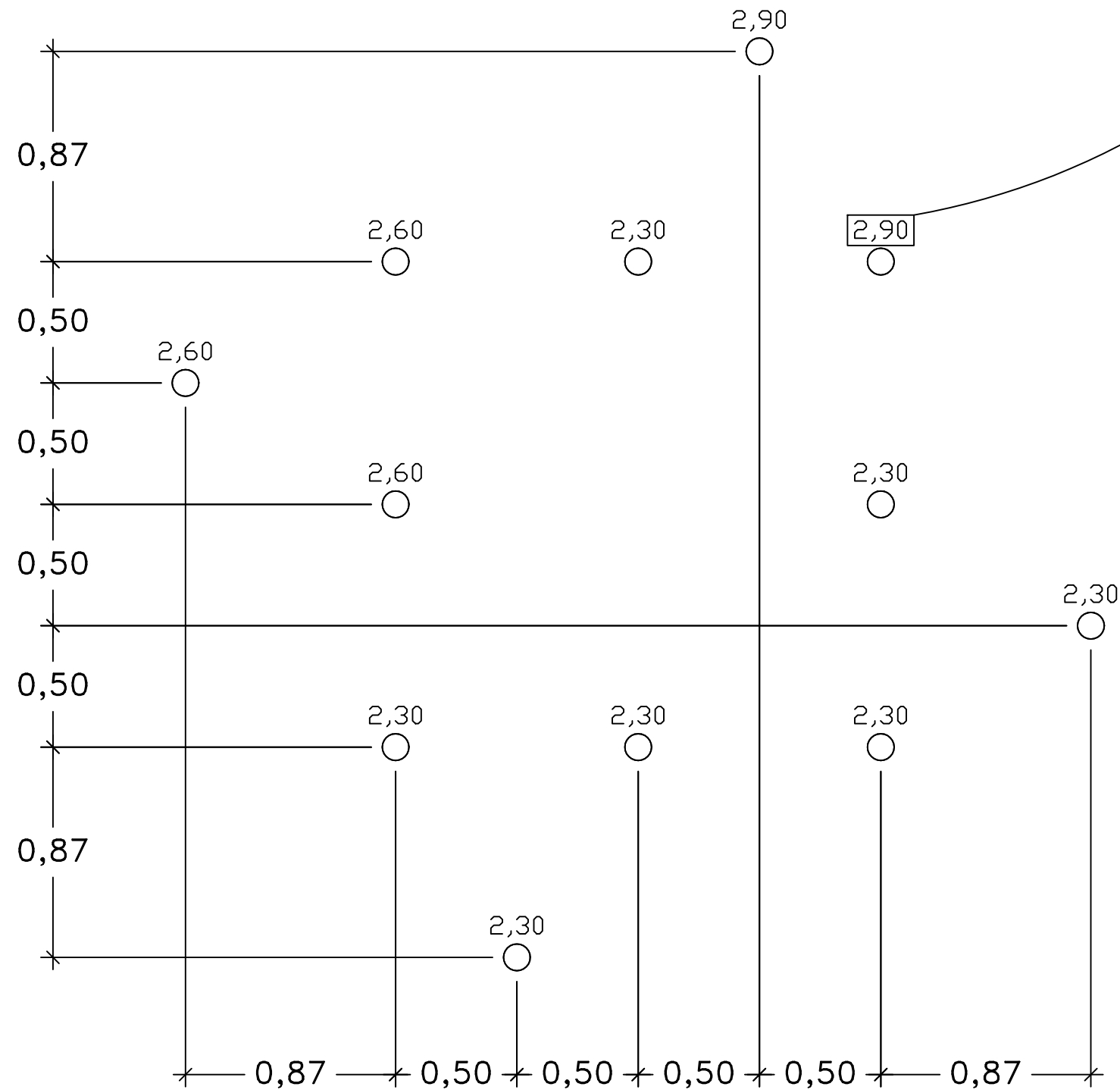
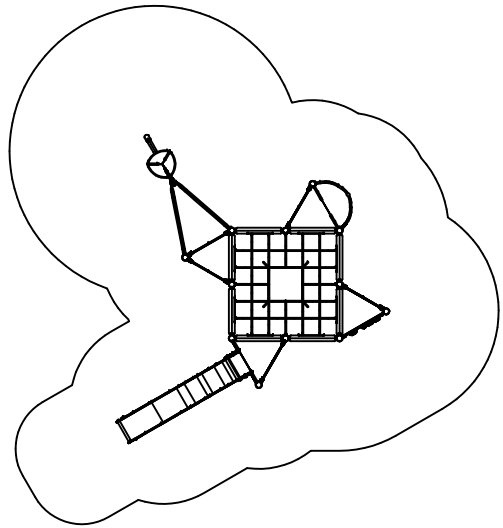
Varje vecka  
Every week  
Jede woche  
Chaque semaine



Varje säsong  
Every season  
Jedes Jahr  
Chaque saison



Step by Step UniPlay



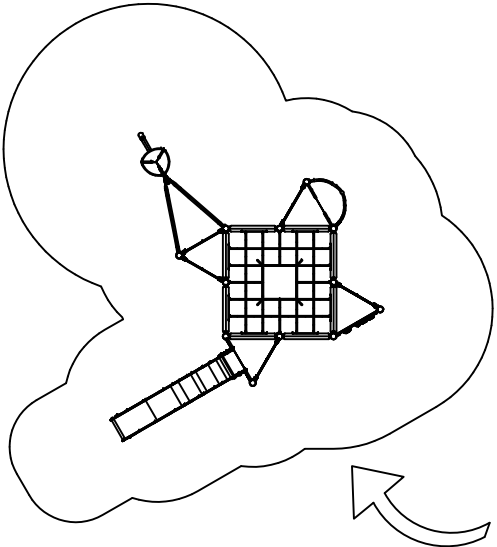
**HAGS** ANEBY, SWEDEN  
+46(0)380-47300  
www.hags.com

UniPlay Jillbrad  
MASW65020  
2/8

LN LN 2021-03-04 1

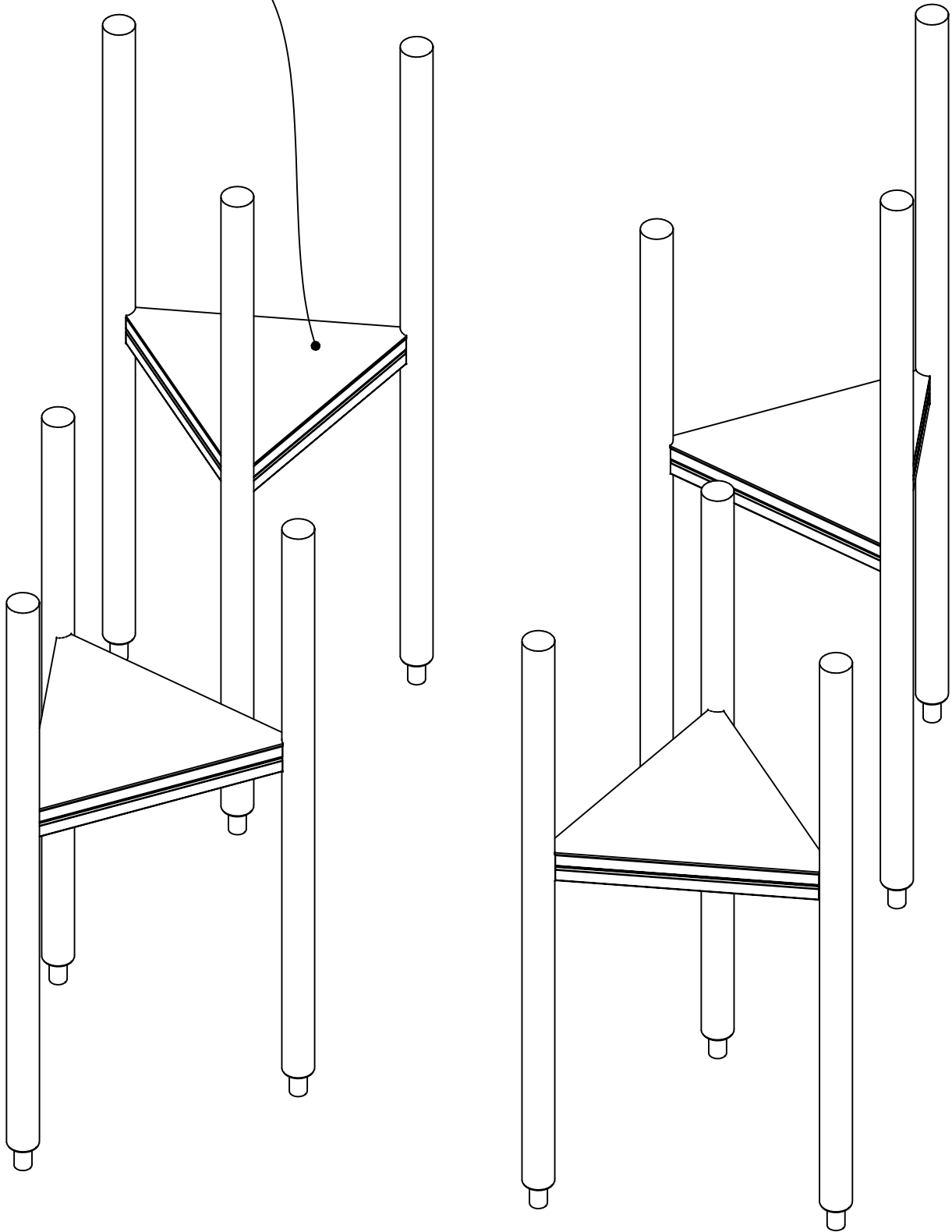
STEP 1

[m]



MASW53811

+1,50



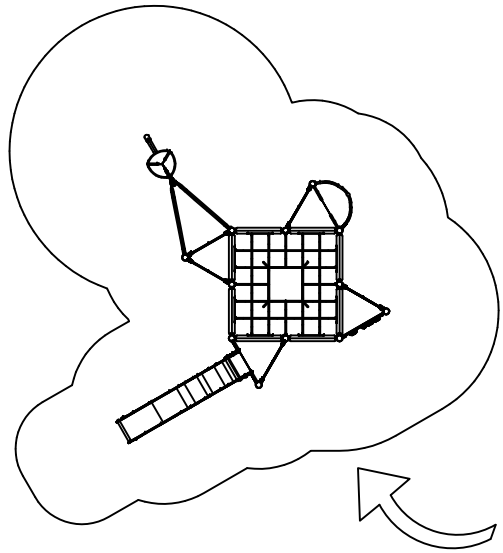
**HAGS** ANEBY, SWEDEN  
 +46(0)380-47300  
 www.hags.com

UniPlay Jillbrad  
 MASW65020  
 3/8

LN LN 2021-03-04 1

# STEP 2

[m]



👁️ MASW39776  
x8

👁️ 42060310

+2,20

+1,02

+0,54

👁️ MASW37573

x8

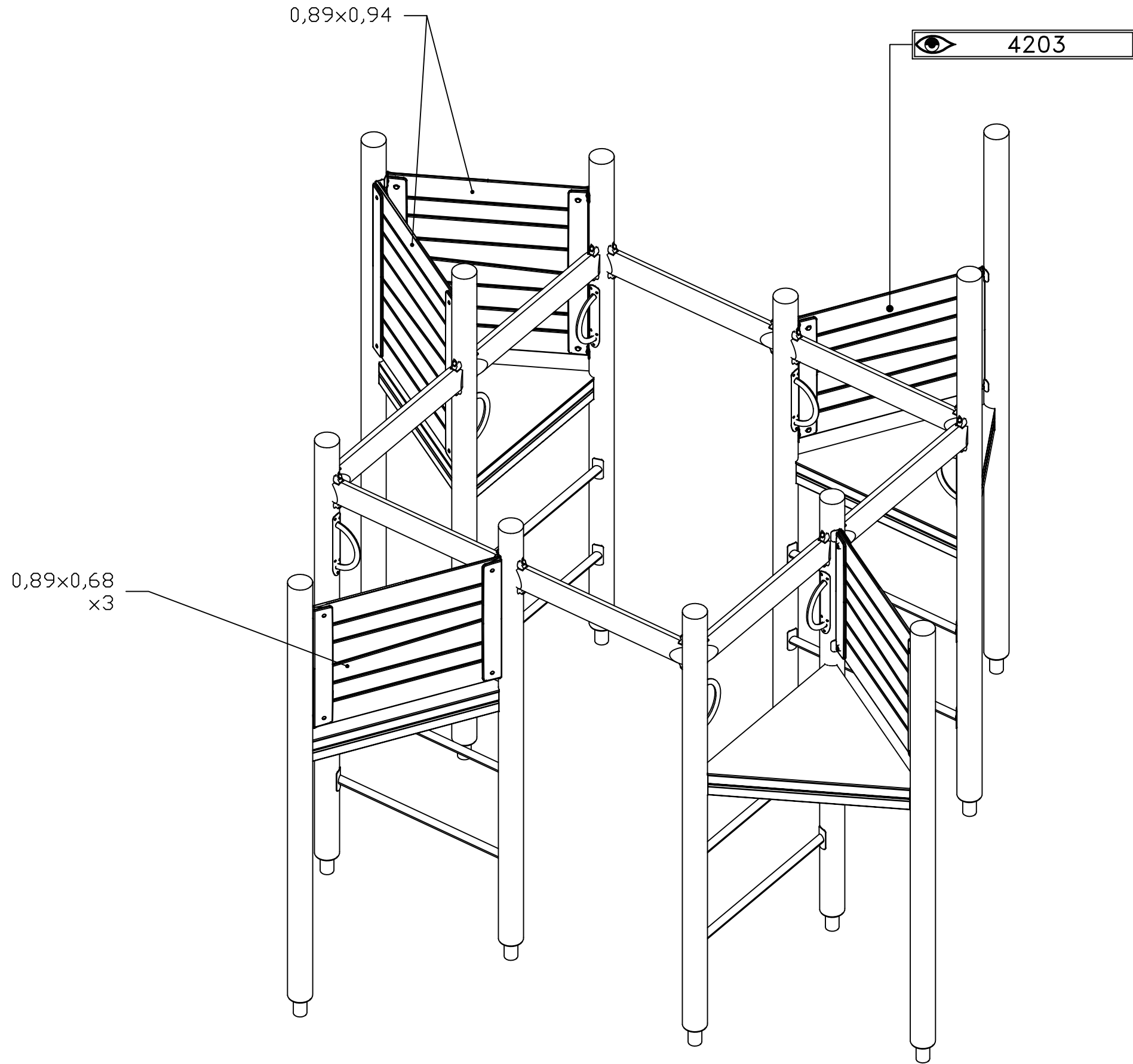
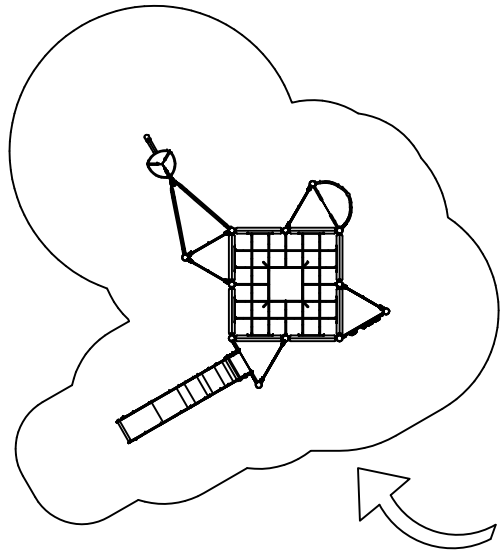
**HAGS** ANEBY, SWEDEN  
+46(0)380-47300  
www.hags.com

UniPlay Jillbrad  
MASW65020  
4/8

🏠 LN 👁️ LN 2021-03-04 1

# STEP 3

[m]



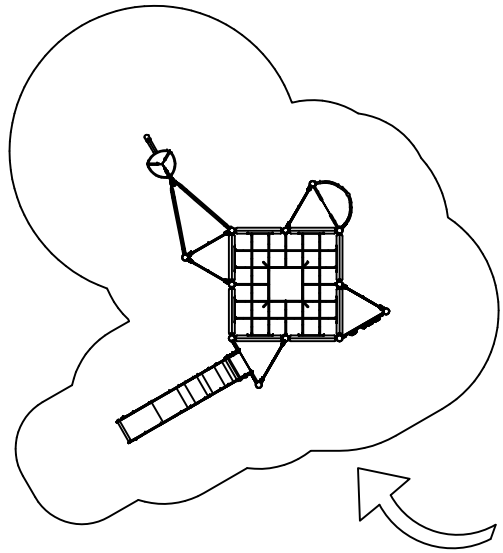
**HAGS** ANEBY, SWEDEN  
+46(0)380-47300  
www.hags.com

UniPlay Jillbrad  
MASW65020  
5/8

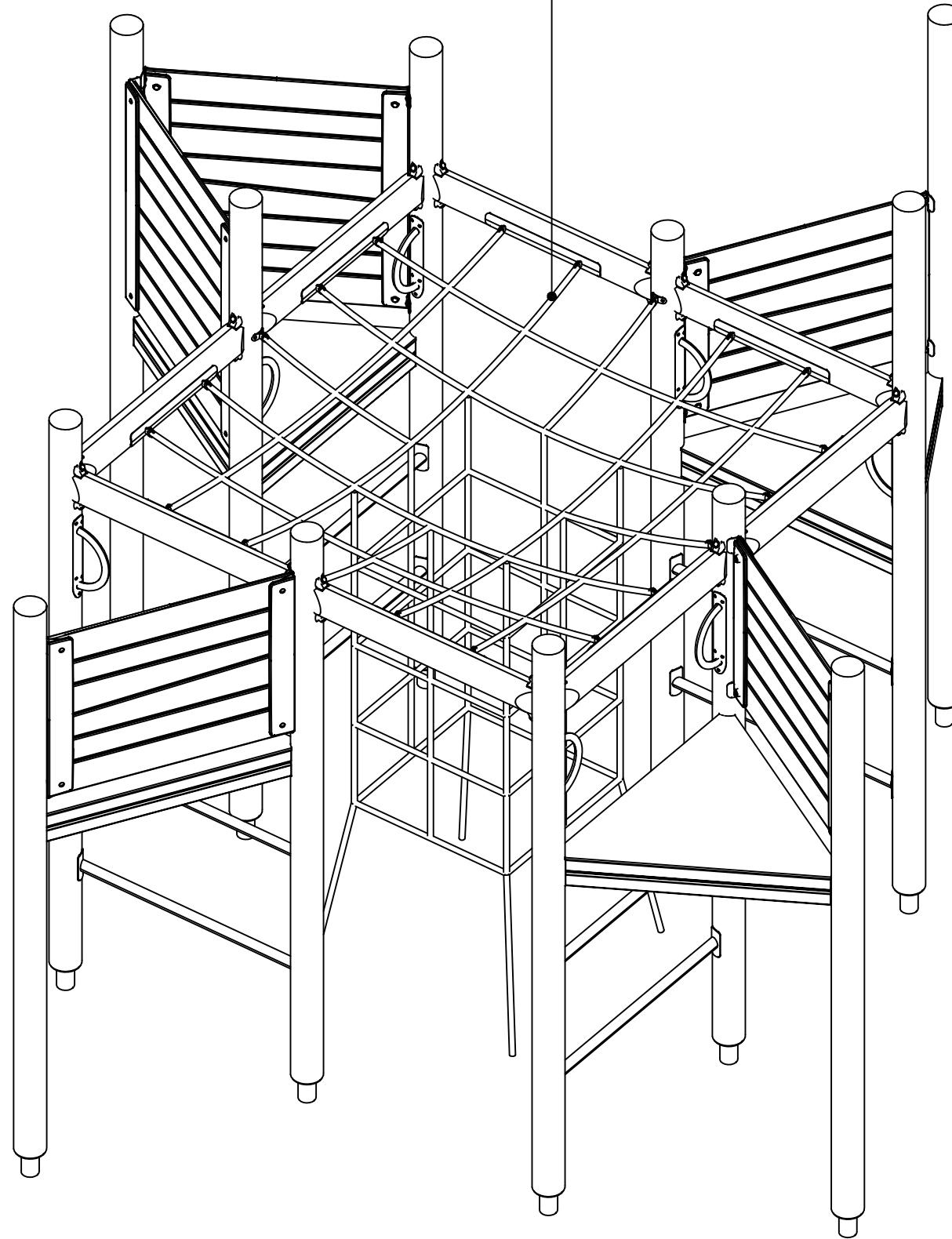
LN LN 2021-03-04 1

# STEP 4

[m]



42071011



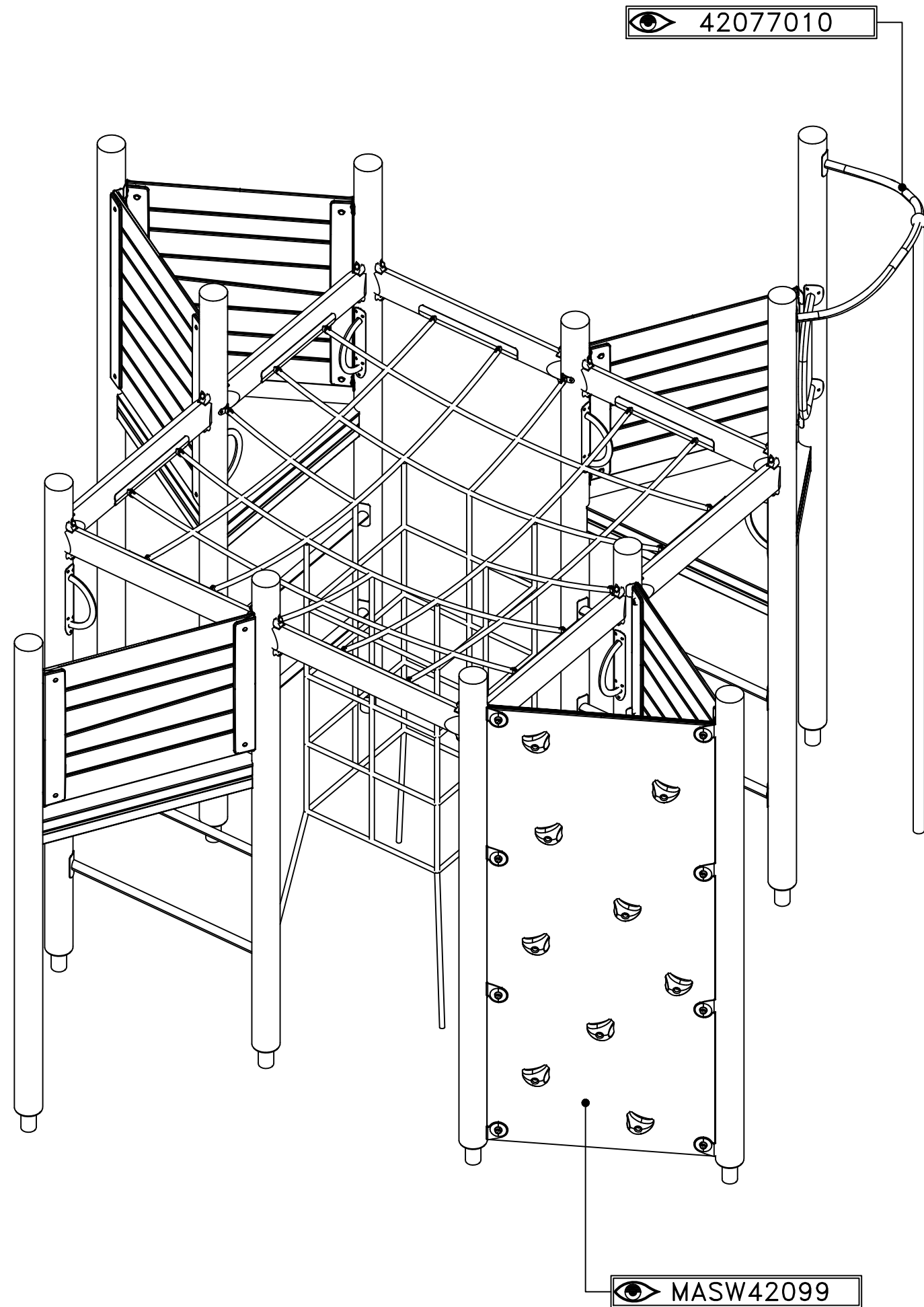
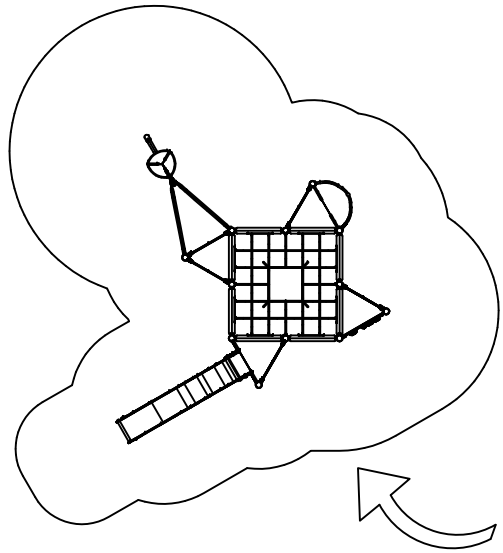
**HAGS** ANEBY, SWEDEN  
+46(0)380-47300  
www.hags.com

UniPlay Jillbrad  
MASW65020  
6/8

LN LN 2021-03-04 1

# STEP 5

[m]



**HAGS** ANEBY, SWEDEN  
+46(0)380-47300  
www.hags.com

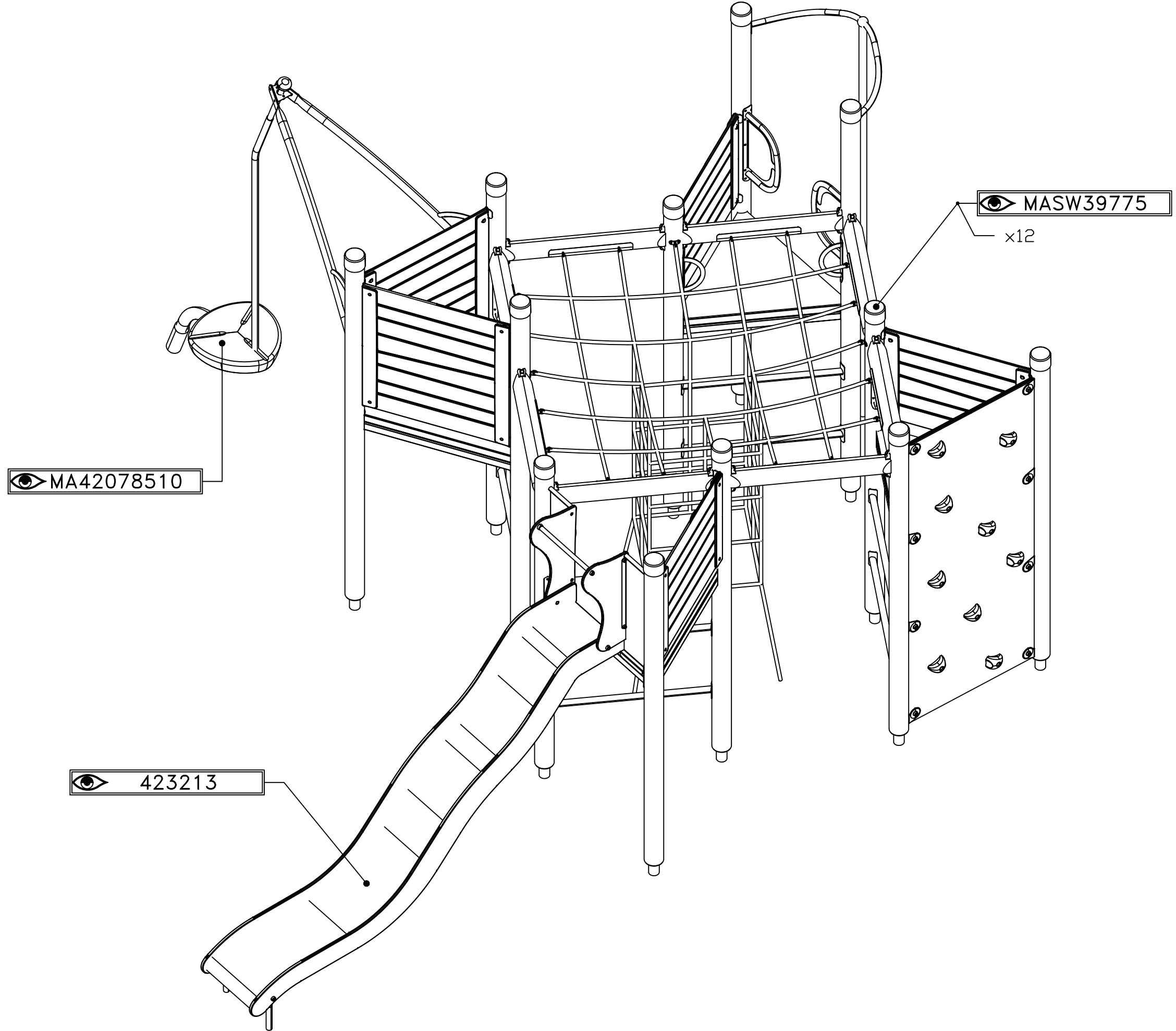
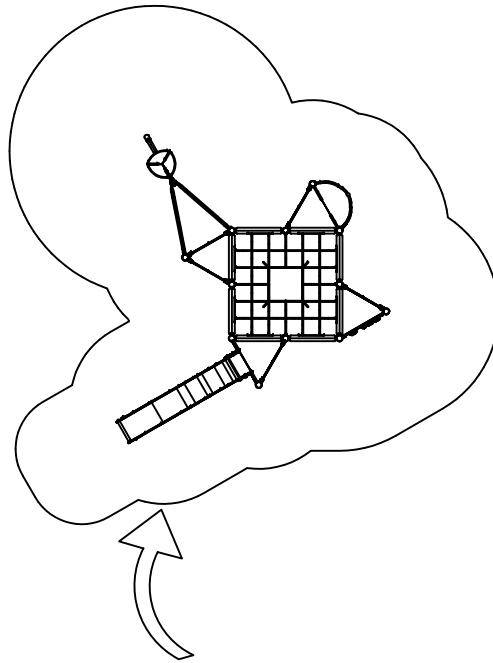
UniPlay Jillbrad  
MASW65020  
7/8

LN LN 2021-03-04 1



STEP 6

[m]



**HAGS** ANEBY, SWEDEN  
 +46(0)380-47300  
 www.hags.com

UniPlay Jillbrad  
 MASW65020  
 8 / 8

LN LN 2021-03-04 1