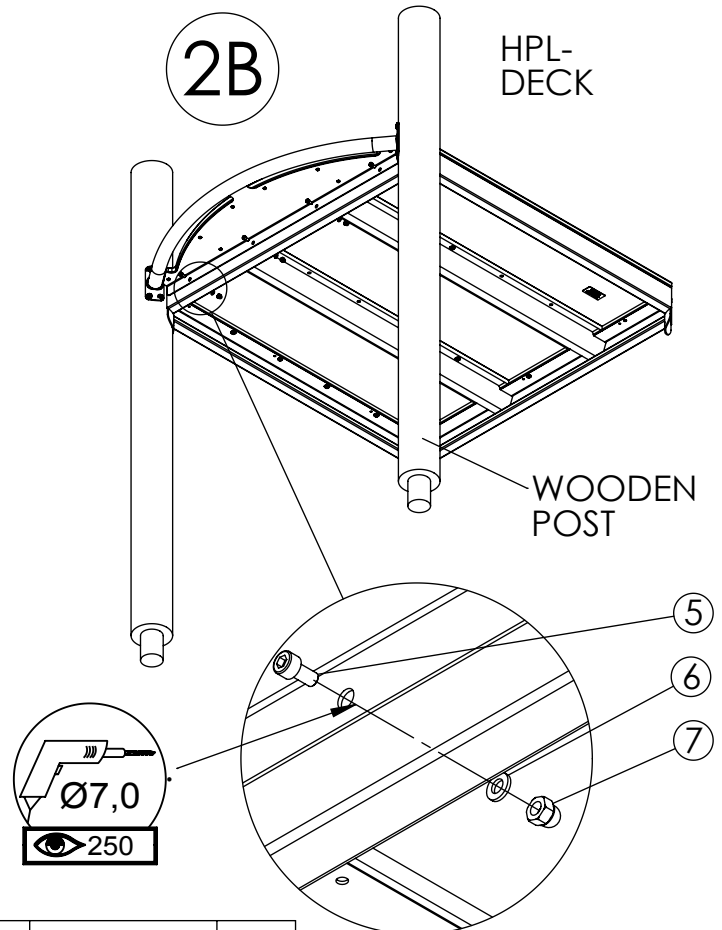
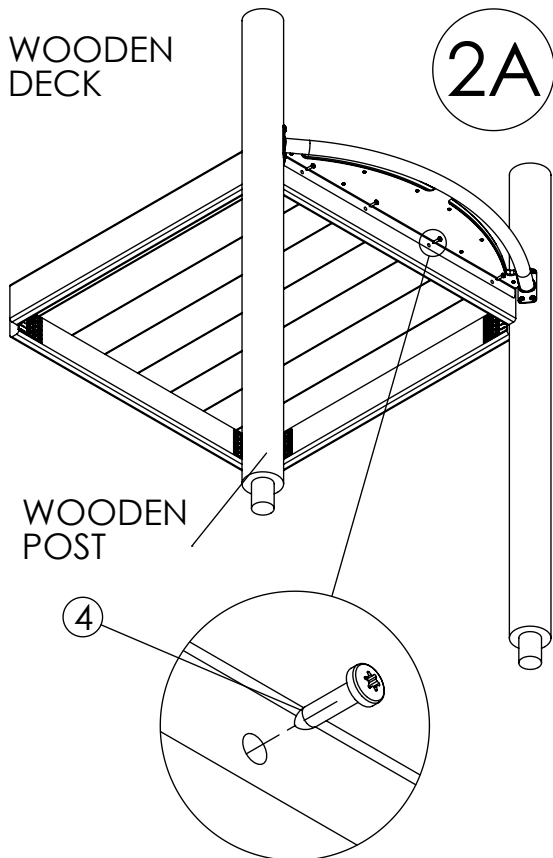
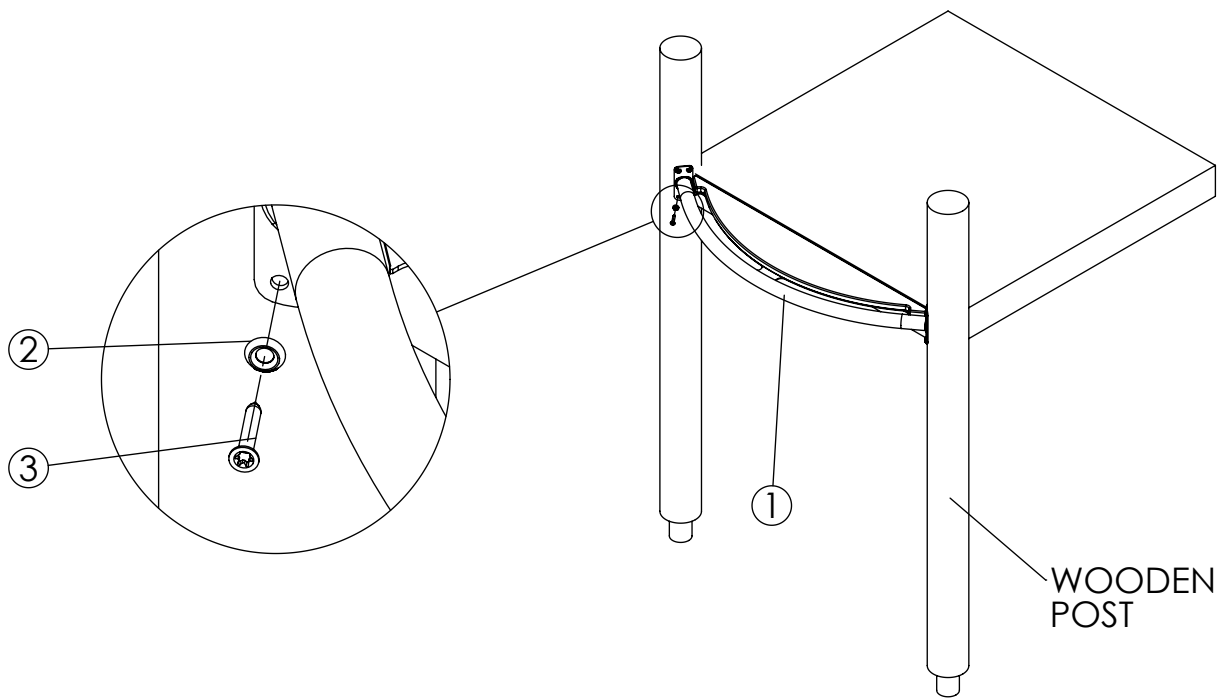


1



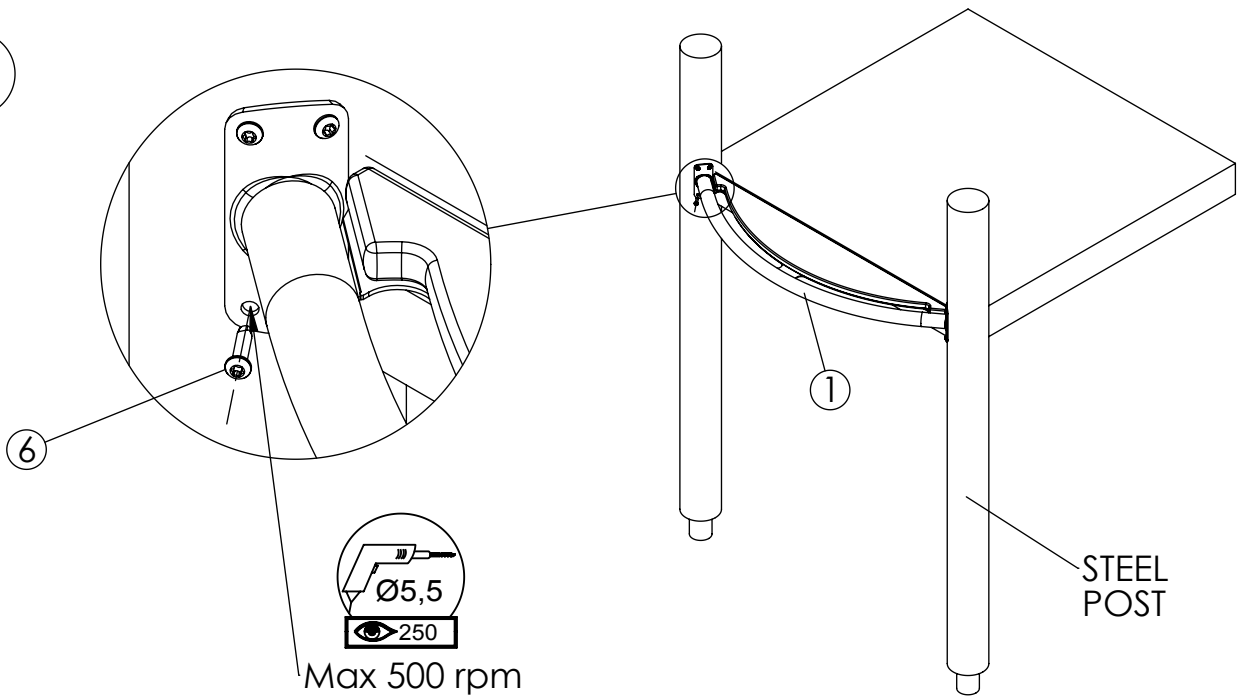
NR.	Description MA	Item Number	Qty
1	Floor add on	8046819	1
2	Ø6 16/7 x 3 mm	8035290	8
3	TKFT 6x40 mm	8008651	8
4	TKT 6x25 mm	8008696	4
5	MC6S 8.8 M6x12 FZY	8008468	4
6	Ø6,4x12x1,6	8008845	4
7	Dome Nut M6	8008752	4

HAGS ANEBY, SWEDEN
+46(0)380-47300
www.hags.com

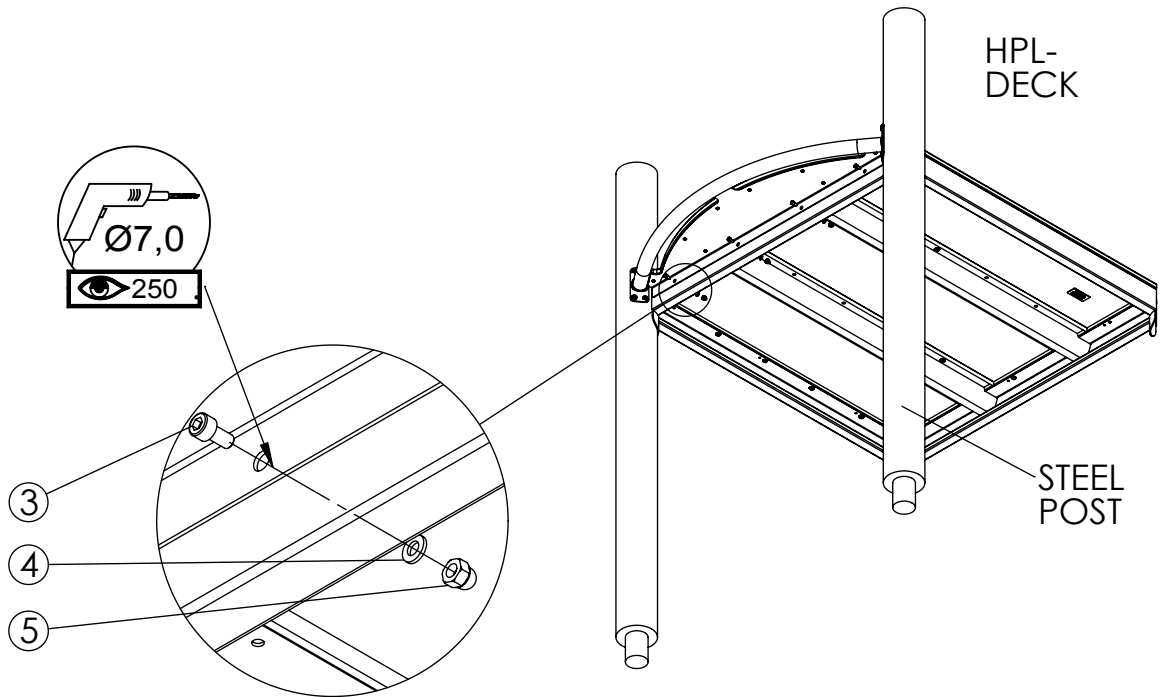
Floor add on with grip
MASW35168
1 (2)

SS ToB 2017-08-02 5

1



2



NR.	Description MA	Item Number	Qty
1	Floor add on	8046791	1
3	MC6S 8.8 M6x12 FZY	8008468	4
4	Ø6,4x12x1,6	8008845	4
5	Dome Nut M6	8008752	4
6	Screw, thr-forming M6x25-8.8-(ISO7380)	8027762	8

HAGS ANEBY, SWEDEN
+46(0)380-47300
www.hags.com

**Floor add on with grip
MASW35168
2 (2)**

SS ToB 2017-08-02 5