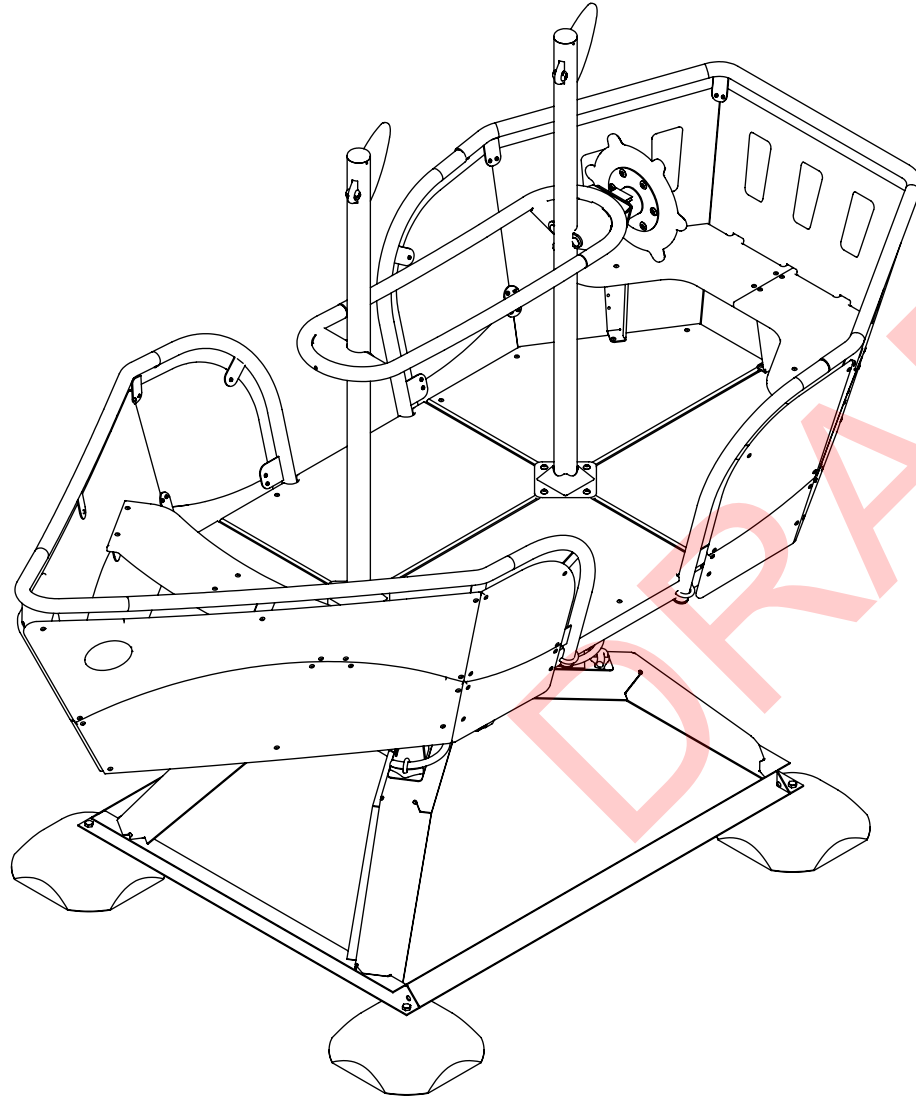


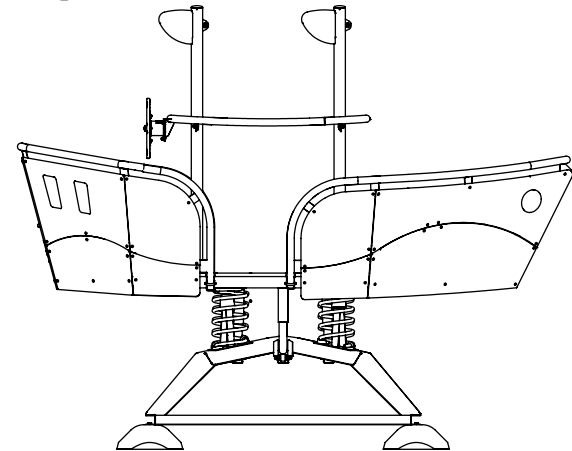
HAGS[®]

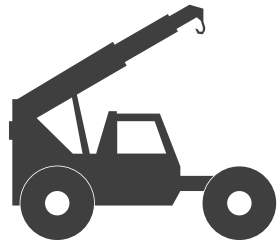
Spring Toy Mayflower/Bonnie

MASW50776



S/CC/BM





S15

L x W x H (m)
2.94 x 1.4 x 1.91

S6

EN1176
0.9m

S8

ASTM F1487
3'0"

S9

CSA Z 614
0.9m (3'0")

S20

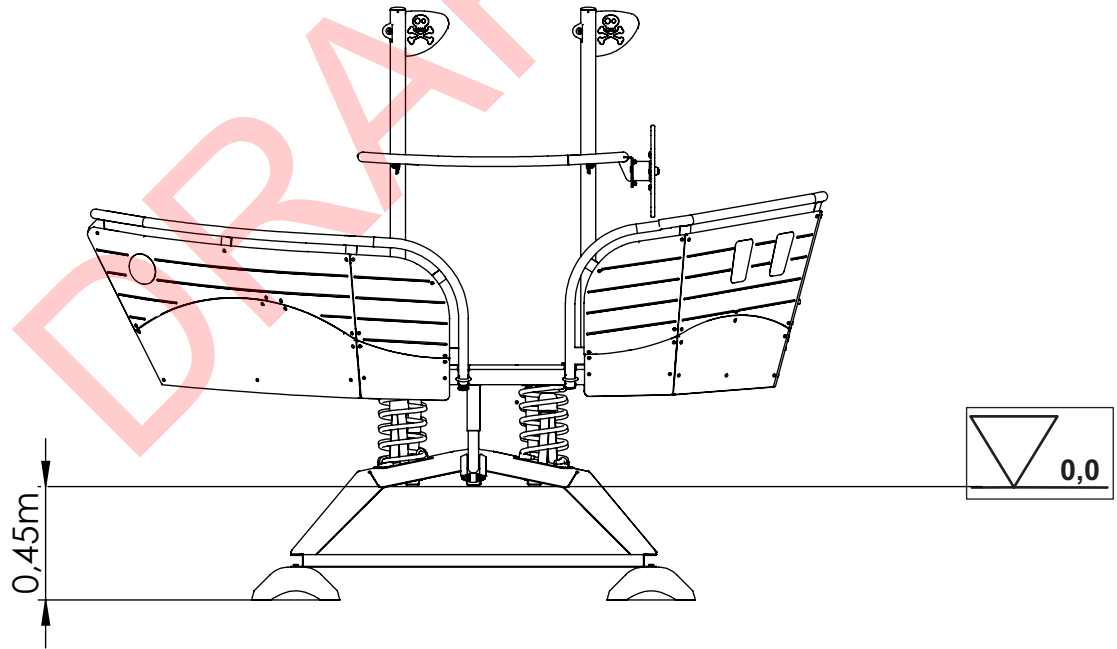
2 x 1.25

S12

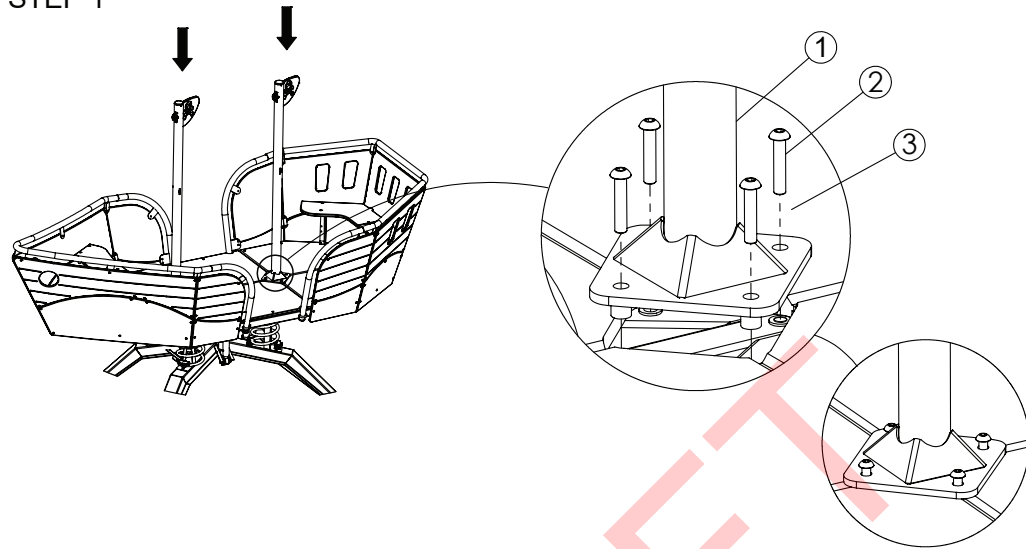
kg
350

S17

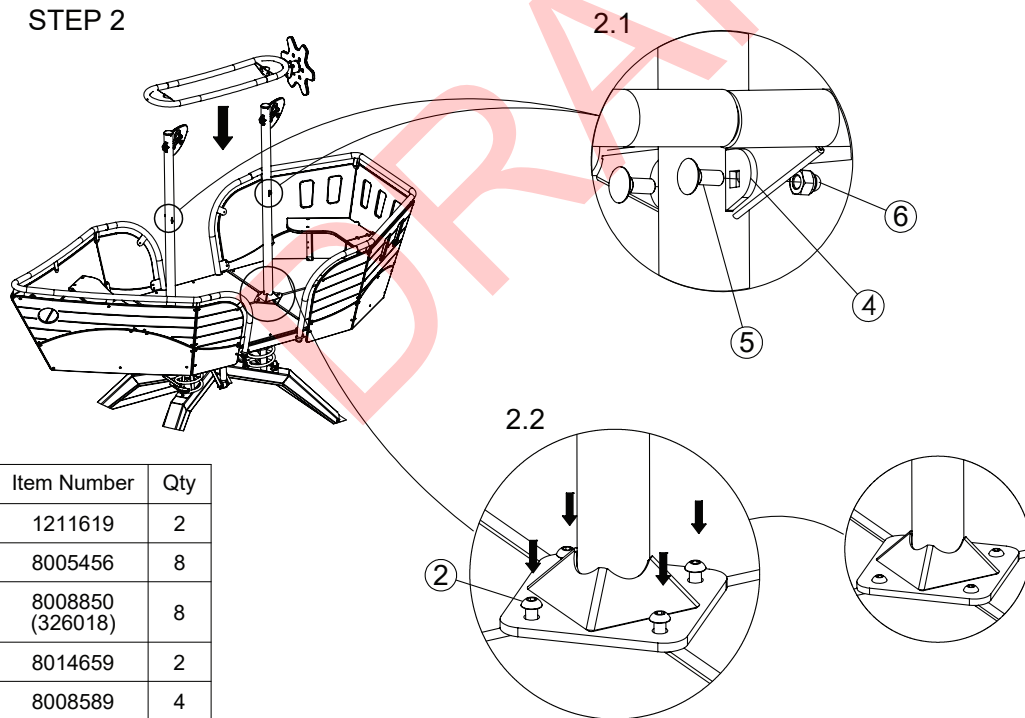
S19



STEP 1

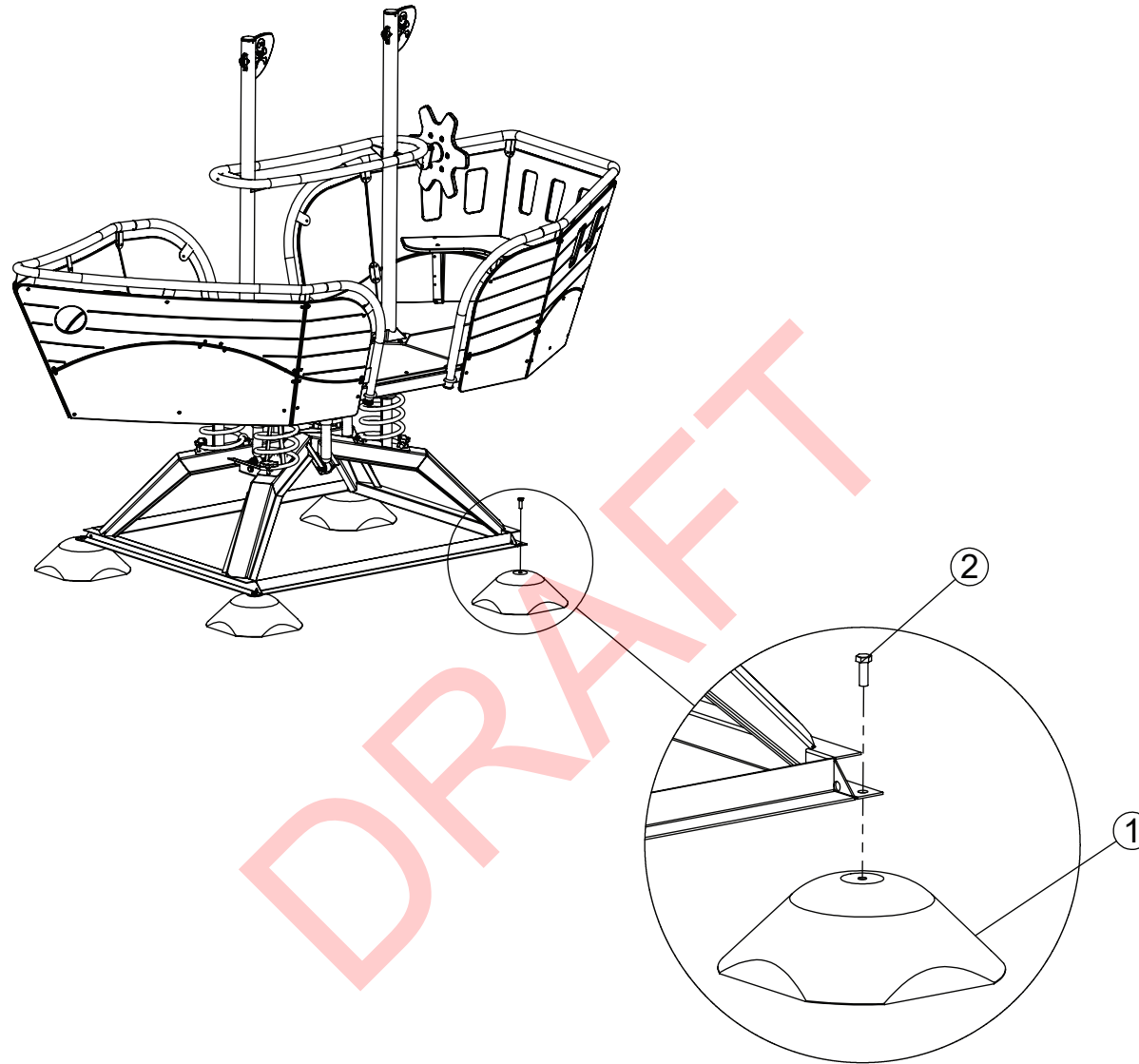


STEP 2



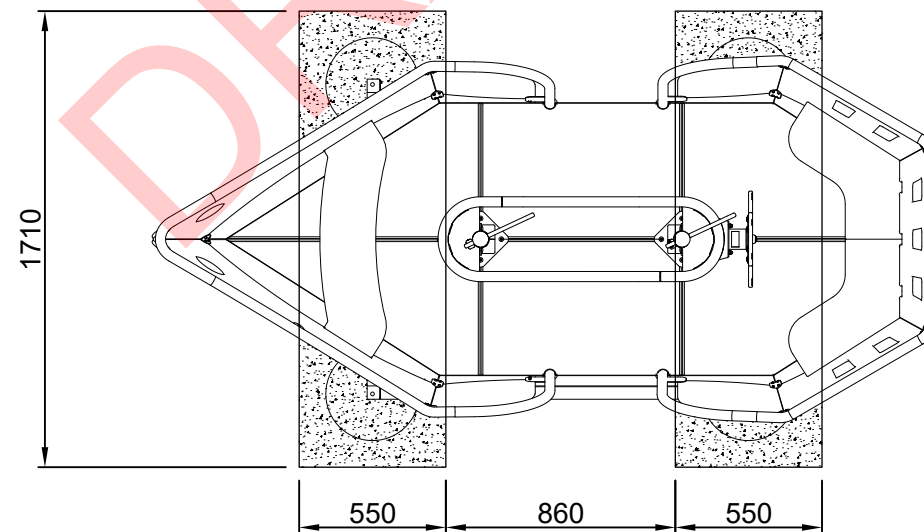
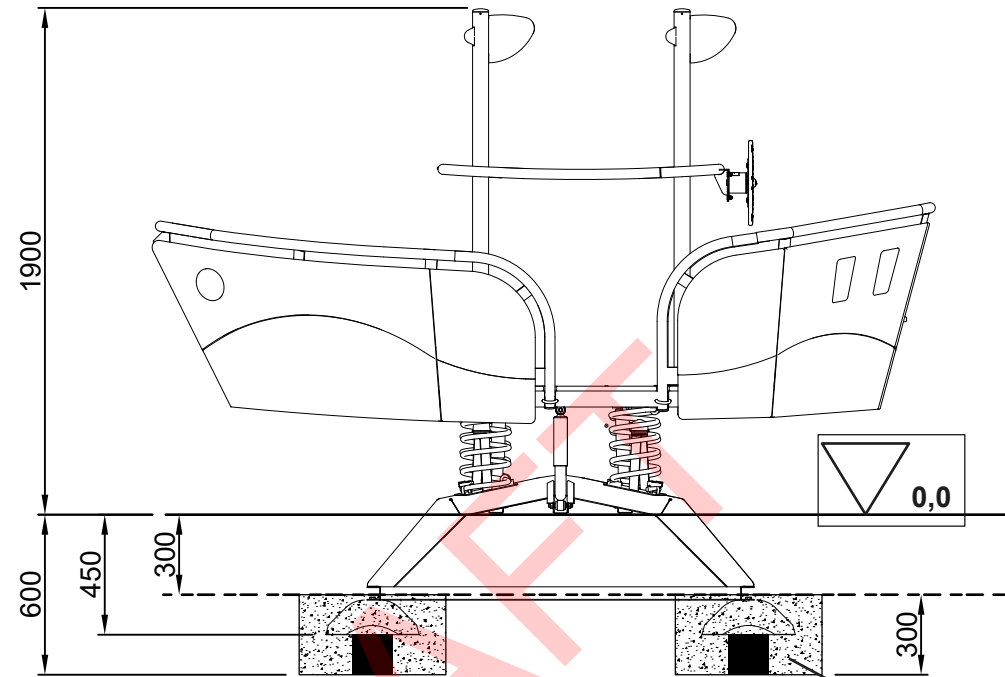
NR.	Description MA	Item Number	Qty
1	Mast	1211619	2
2	K6S M10x50mm	8005456	8
3	Ø11x24x2mm	8008850 (326018)	8
4	Mount 118x40x5	8014659	2
5	MVBF M10x20	8008589	4
6	Domed Nut M10	8008754	4




S



NR.	Description MA	Item Number	Qty
1	350x350x130 mm	410086	4
2	M6S M12 x 35 mm	302258	4

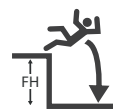
CC/BM



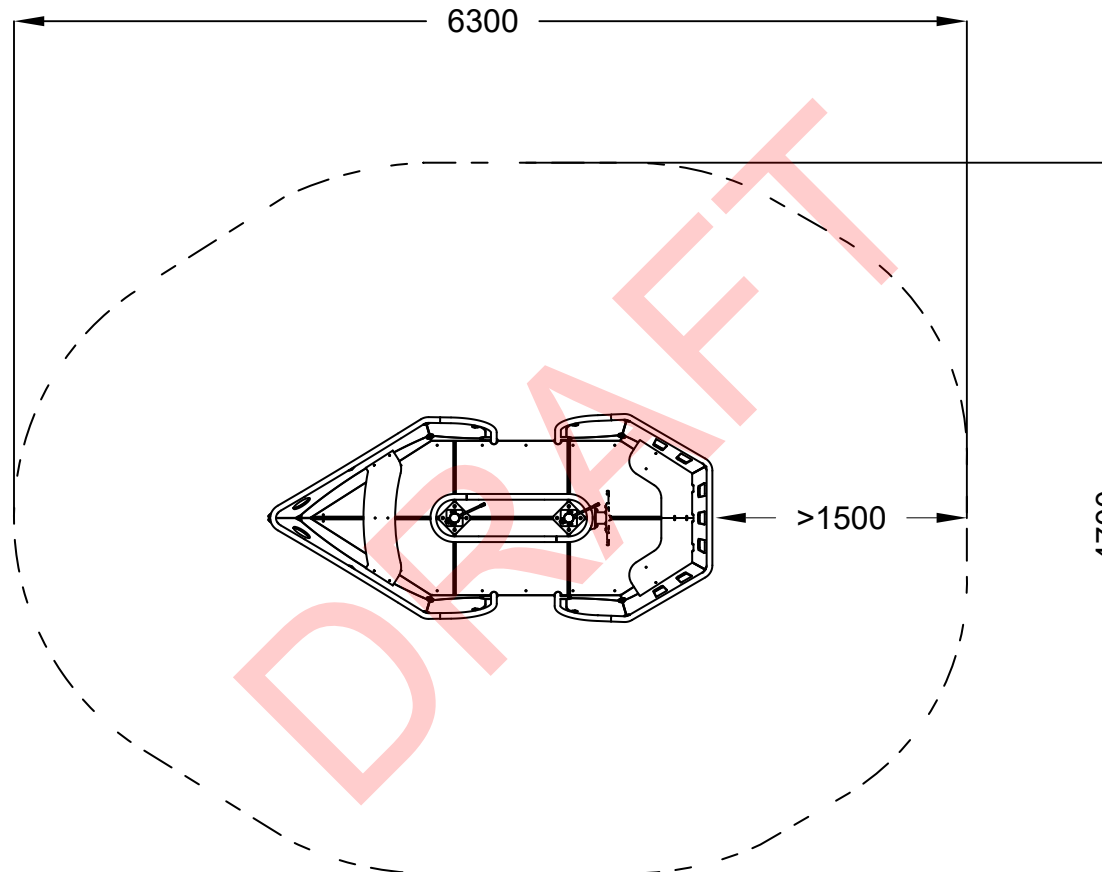
S25	
S2 (50mm)	≥C20-25
	7 x 24
	101

A

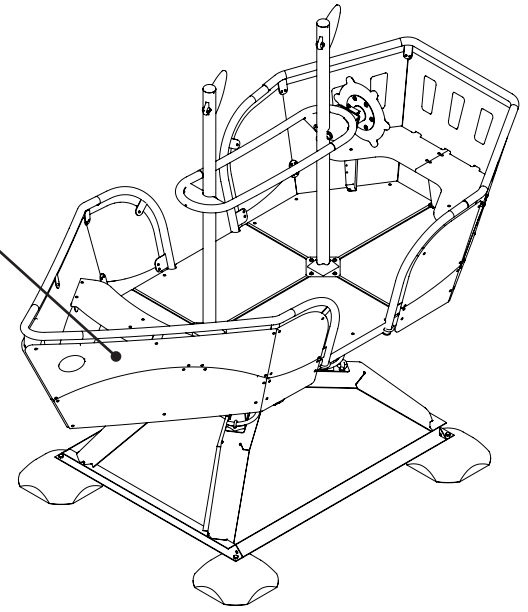
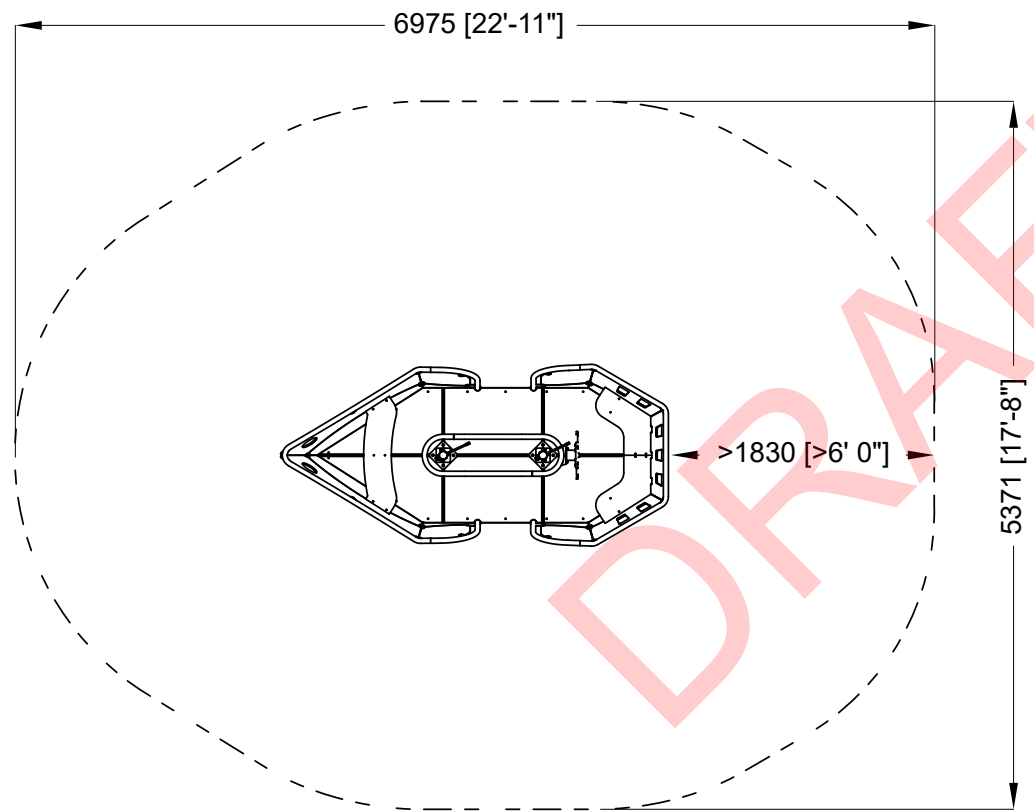
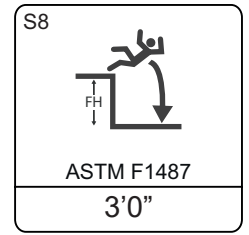
S6



EN1176
0.9m



B

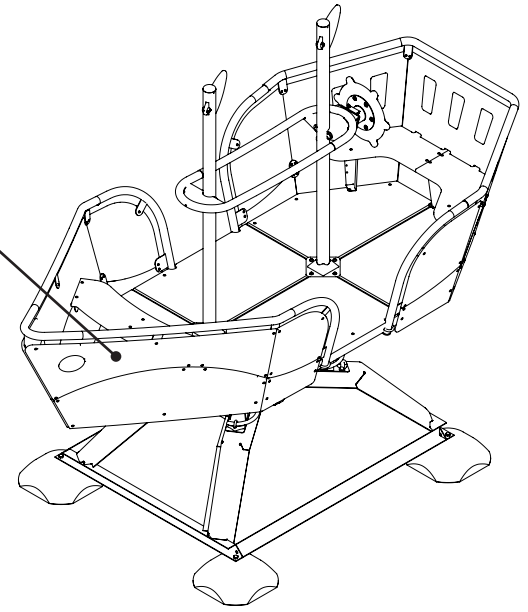
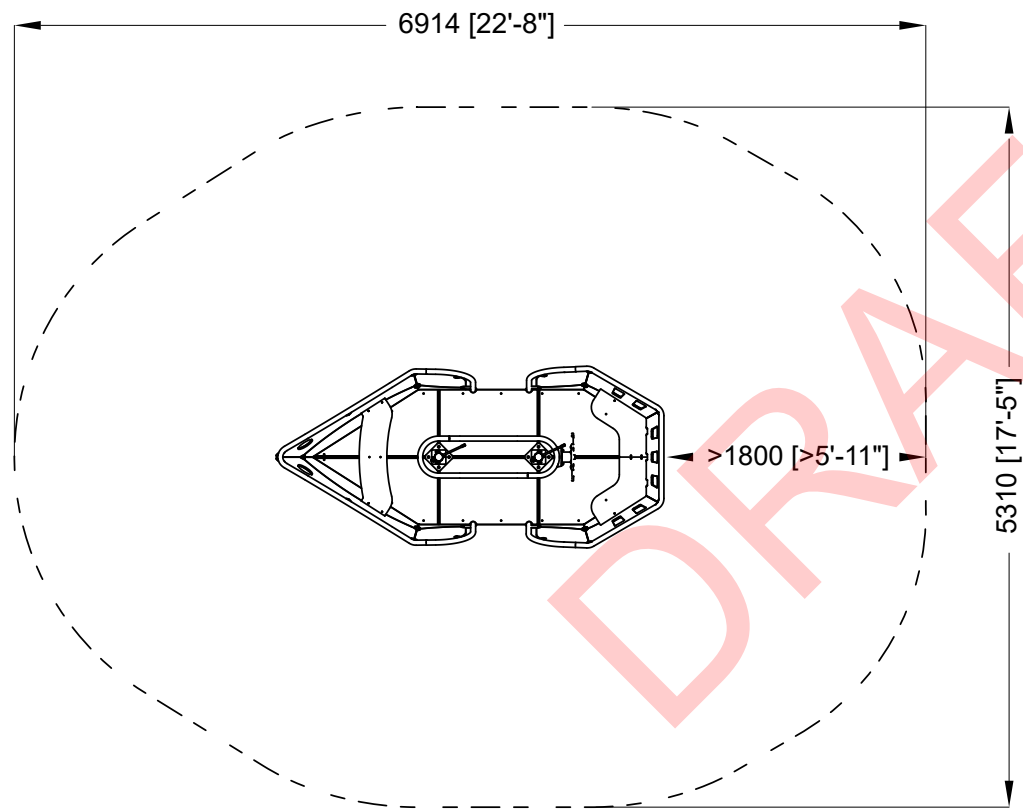
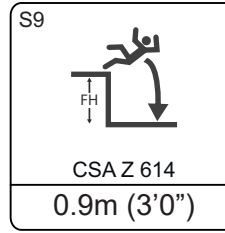


DRAFT



- WARNING**
Playground equipment installed over hard surfaces such as concrete, asphalt or packed earth may result in serious injury or death from falls. Make sure that appropriate safety surfacing is present, before allowing children to play.
- WARNING**
Children have strangled and died while their clothes caught on slides and other playground equipment. Before allowing children to play, remove helmets, scarves, necklaces, hood cords, neck drawstrings, and mittens connected through the sleeves. Also, remove any foreign ropes, strings, or shoe laces that may be tied to equipment.
- WARNING**
All playground equipment and rubber surfacing may become hot enough to cause burns. Check for hot surfaces before allowing children to play. Children should wear appropriate shoes at all times.
- WARNING**
Playing tag or running on or under playground equipment can lead to serious injuries from falls, collisions, and head strikes. Do not run on or under playground equipment. Pay attention while playing and be careful.

- "play smart" rules**
- ✓ Do not play on broken or damaged equipment. Report it.
 - ✓ Do not play without adequate safety surfacing below and around equipment.
 - ✓ No helmets, necklaces or drawstrings should be worn while on equipment.
 - ✓ Be careful of hot paly surfaces and always wear shoes while playing.
 - ✓ Do not play tag or run on playground equipment and do not jump off of equipment.
 - ✓ Watch your head! Do not run under bridges, decks, stairs, or other equipment.
 - ✓ Be careful when equipment is wet.
 - ✓ Do not climb on roofs, railings, or posts, or on top of crawl through tube slides.
 - ✓ Slide sitting down, feet first, and one at a time. Do not slide up chutes or tubes.
 - ✓ Adults - do not slide with a child on your lap. It can injure your child's legs.
 - ✓ Before letting go of overhead bars, hang down still, bend your knees a little and drop straight down with both feet.
 - ✓ Swing sitting down and do not jump out while swinging. Do not twist chains.



DRAFT



- WARNING**
Playground equipment installed over hard surfaces such as concrete, asphalt or packed earth may result in serious injury or death from falls. Make sure that appropriate safety surfacing is present, before allowing children to play.
- WARNING**
Children have strangled and died while their clothes caught on slides and other playground equipment. Before allowing children to play, remove helmets, scarves, necklaces, hood cords, neck drawstrings, and mittens connected through the sleeves. Also, remove any foreign ropes, strings, or shoe laces that may be tied to equipment
- WARNING**
All playground equipment and rubber surfacing may become hot enough to cause burns. Check for hot surfaces before allowing children to play. Children should wear appropriate shoes at all times.
- WARNING**
Playing tag or running on or under playground equipment can lead to serious injuries from falls, collisions, and head strikes. Do not run on or under playground equipment. Pay attention while playing and be careful.

- "play smart" rules**
- ✓ Do not play on broken or damaged equipment. Report it.
 - ✓ Do not play without adequate safety surfacing below and around equipment.
 - ✓ No helmets, necklaces or drawstrings should be worn while on equipment.
 - ✓ Be careful of hot paly surfaces and always wear shoes while playing.
 - ✓ Do not play tag or run on playground equipment and do not jump off of equipment.
 - ✓ Watch your head! Do not run under bridges, decks, stairs, or other equipment.
 - ✓ Be careful when equipment is wet.
 - ✓ Do not climb on roofs, railings, or posts, or on top of crawl through tube slides.
 - ✓ Slide sitting down, feet first, and one at a time. Do not slide up chutes or tubes.
 - ✓ Adults - do not slide with a child on your lap. It can injure your child's legs.
 - ✓ Before letting go of overhead bars, hang down still, bend your knees a little and drop straight down with both feet.
 - ✓ Swing sitting down and do not jump out while swinging. Do not twist chains.