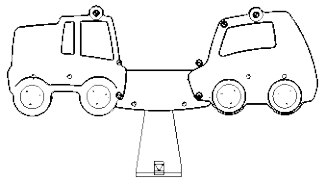
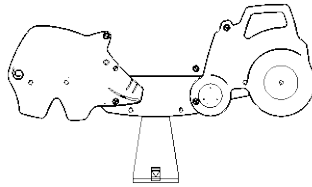


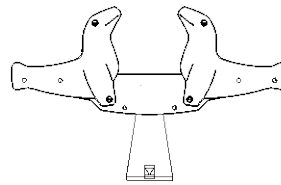
8051402



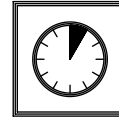
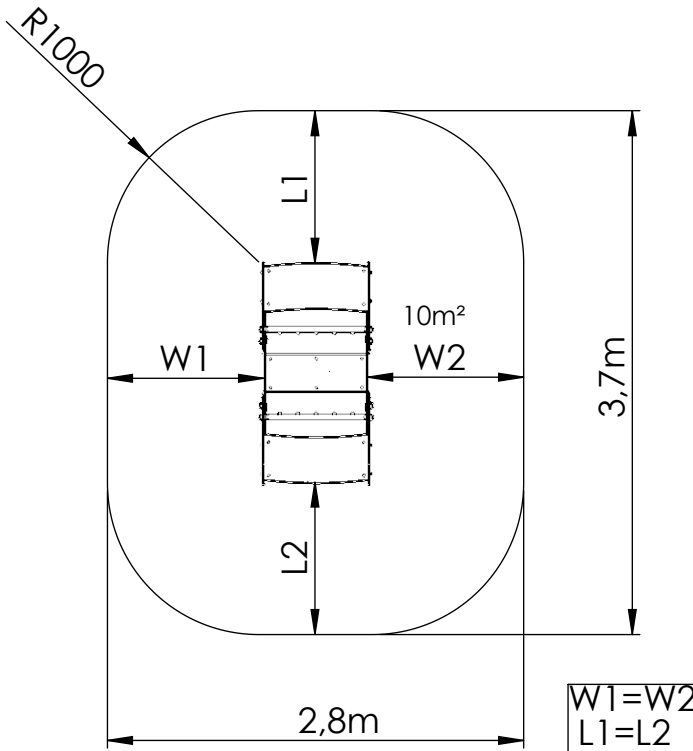
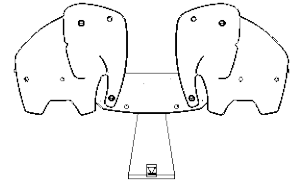
8051218



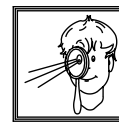
8051405



8051407



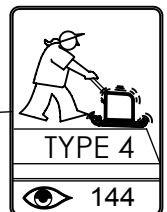
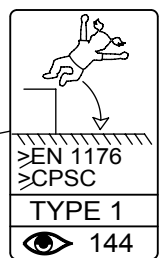
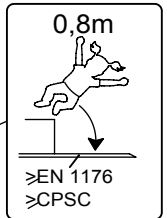
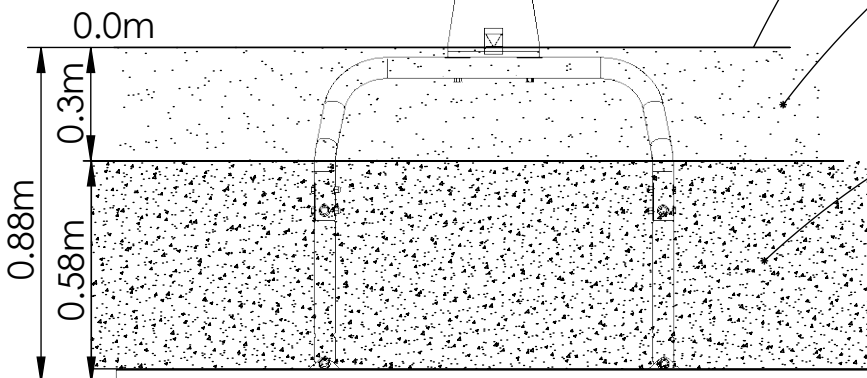
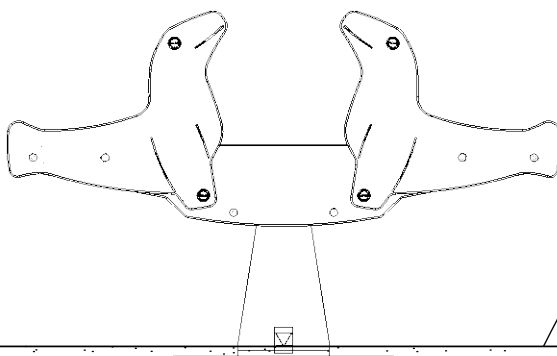
1,5 h



Varje vecka
Every week
Jede woche
Chaque semaine



Varje säsong
Every season
Jedes Jahr
Chaque saison

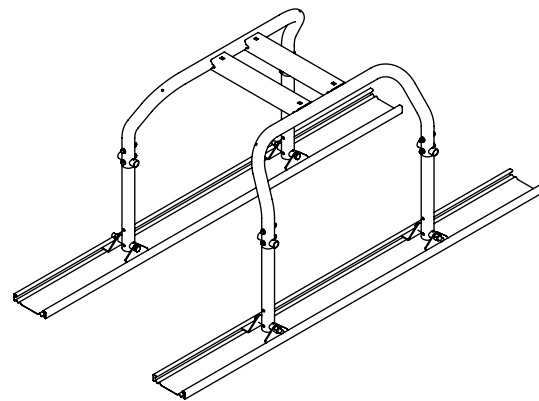
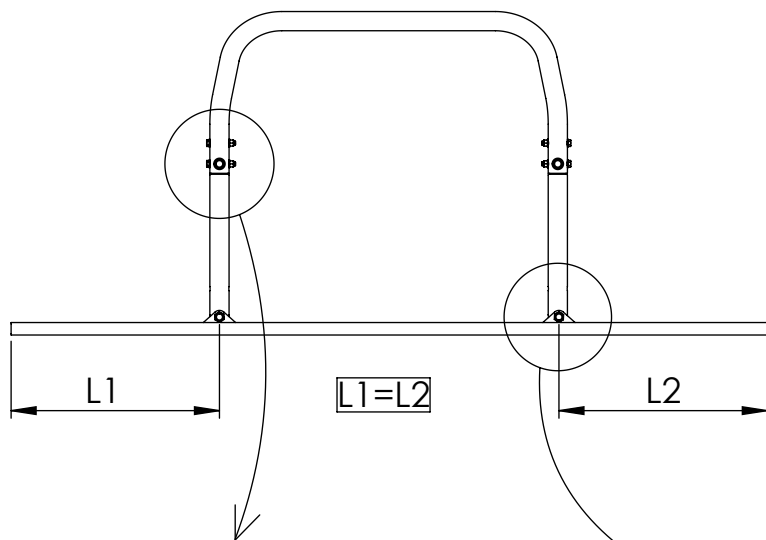


HAGS

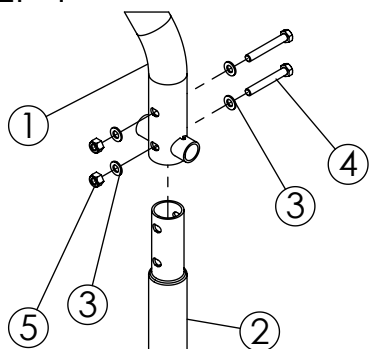
ANEBY, SWEDEN
+46(0)380-47300
www.hags.com

Rocking equipment BM
MASW44229

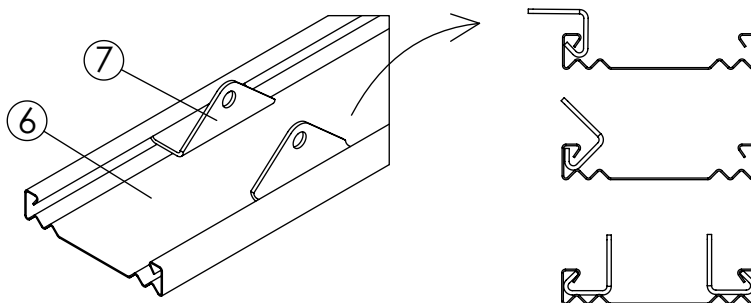
1 (3)



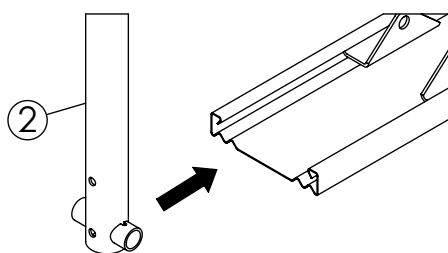
STEP 1



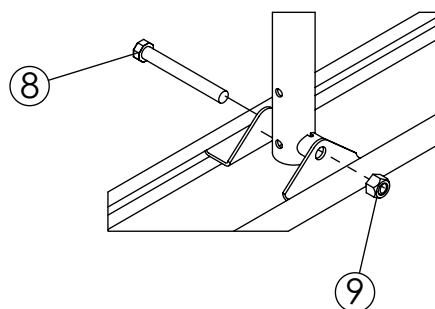
STEP 2



STEP 3



STEP 4

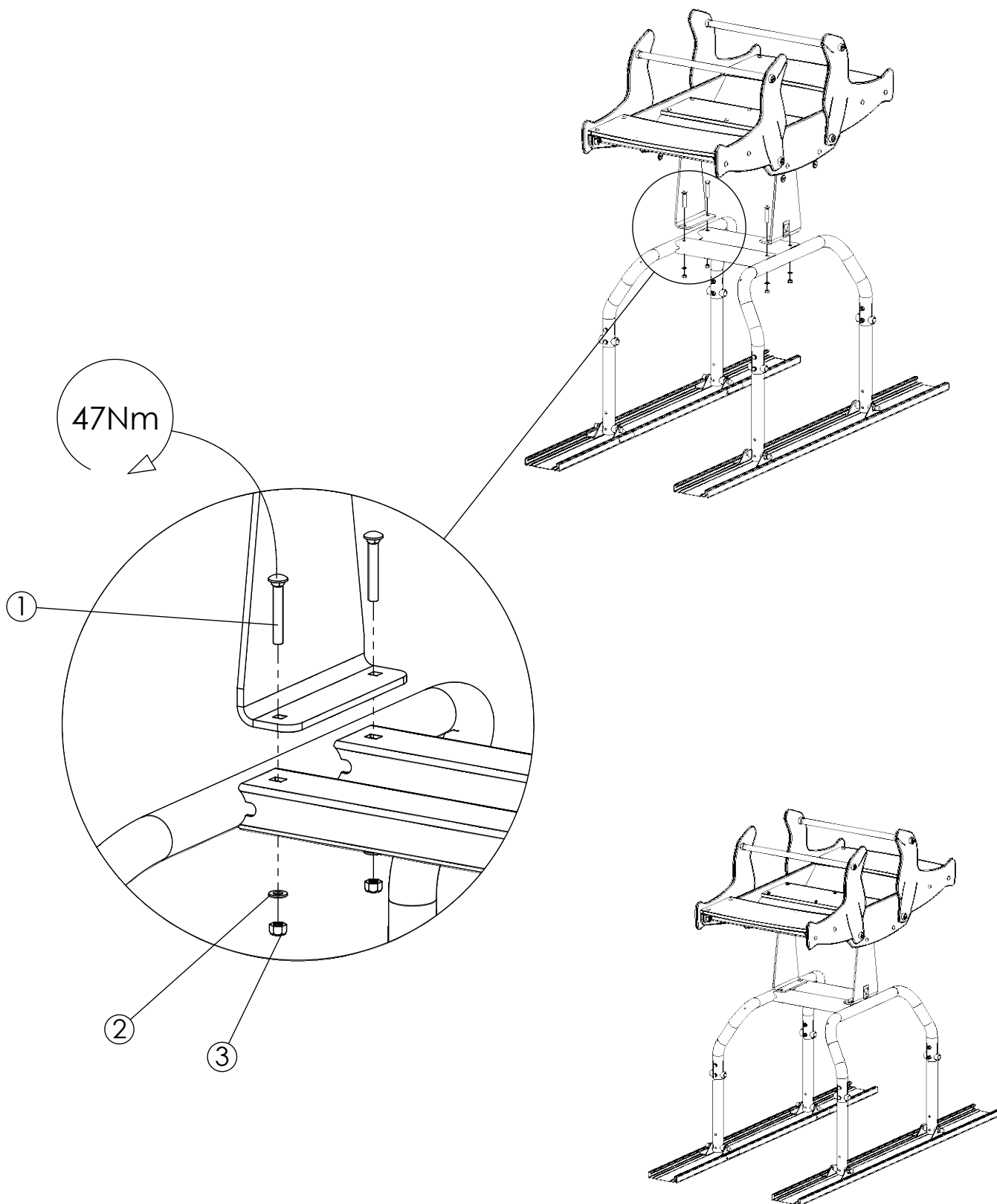


NR.	Description MA	Item Number	Qty
1	Anchoring frame	8054228	1
2	Extension leg w. spacer	8054244	4
3	Ø10,5x20x2	8050050	16
4	M6S M10x70	8008385	8
5	M6M M10	8008796 (324103)	8
6	2000x180	8047776	2
7	Fitting	8054232	8
8	M6S M16x130	8008435	4
9	M6M M16	8042812	4

HAGS ANEBY, SWEDEN
+46(0)380-47300
www.hags.com

**Rocking equipment BM
MASW44229
2 (3)**

STEP 5



<h1>HAGS</h1>	ANEBY, SWEDEN +46(0)380-47300 www.hags.com
	Rocking equipment BM MASW44229 3 (3)
Tek LH 2017-03-20 2+	

NR.	Description MA	Item Number	Qty
1	Screw MVBF A2-70 M10x70	8039296	4
2	Ø10,5x20x2	8050050	4
3	M6M M10	8008796 (324103)	4