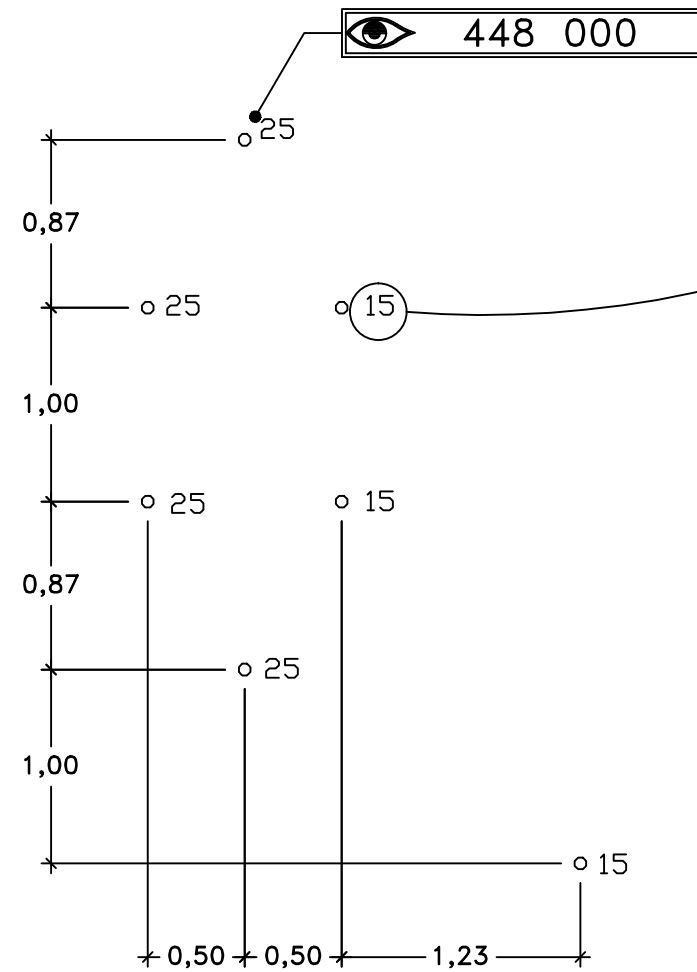
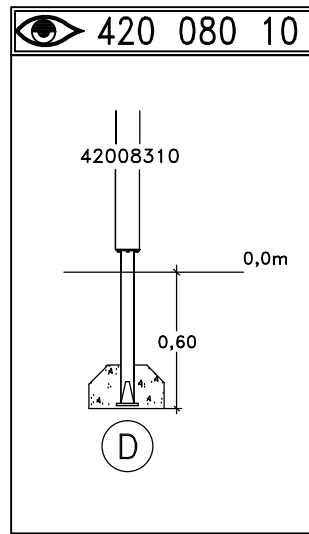
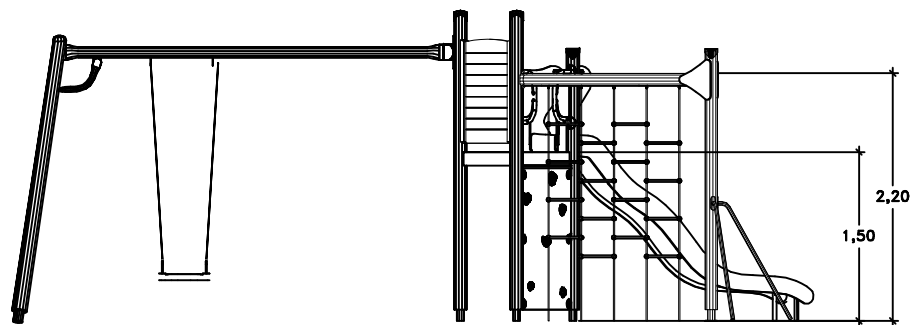
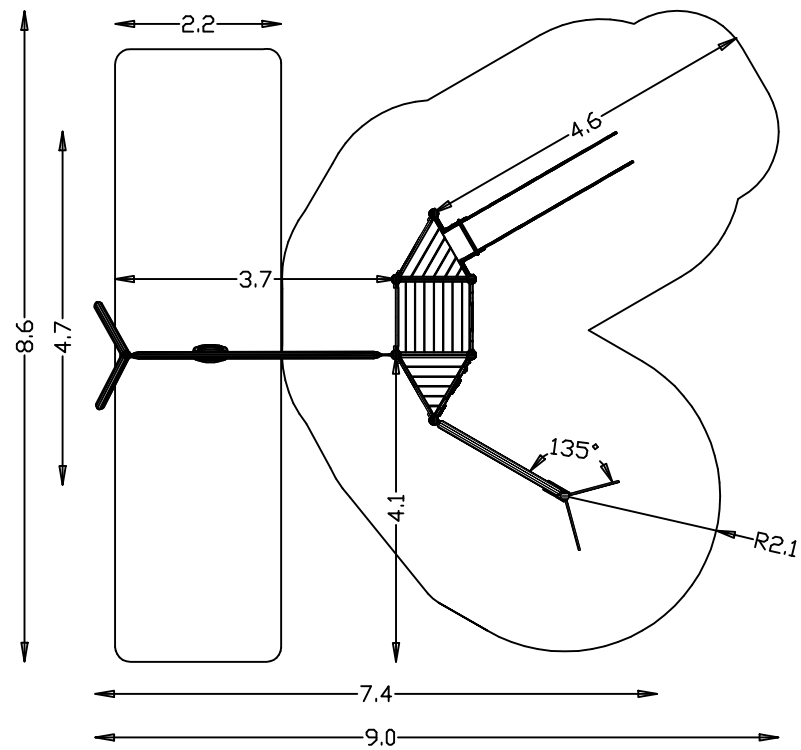


# UniPlay Wallau

1:100  
1,0m 5,0m

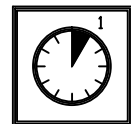


- 1 = L:1550
- 5 = L:1700
- 10 = L:2000
- 15 = L:2300
- 20 = L:2450
- 25 = L:2600
- 30 = L:2900
- 35 = L:3130
- 40 = L:3200
- 45 = L:3500
- 50 = L:3800
- 55 = L:4100
- 60 = L:4250
- 65 = L:4400
- 70 = L:4465
- 75 = L:4550
- 80 = L:4700
- 85 = L:5000

**HAGS** ANEBY, SWEDEN  
+46(0)380-47300  
www.hags.com

UniPlay Wallau  
8051905  
1/4

EF 2015-04-15



20h



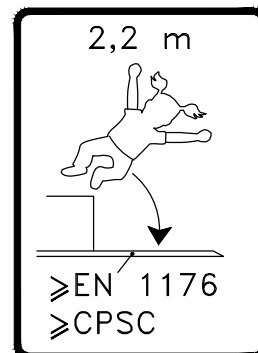
Varje vecka  
Every week  
Jede woche  
Chaque semaine



Varje säsong  
Every season  
Jedes Jahr  
Chaque saison



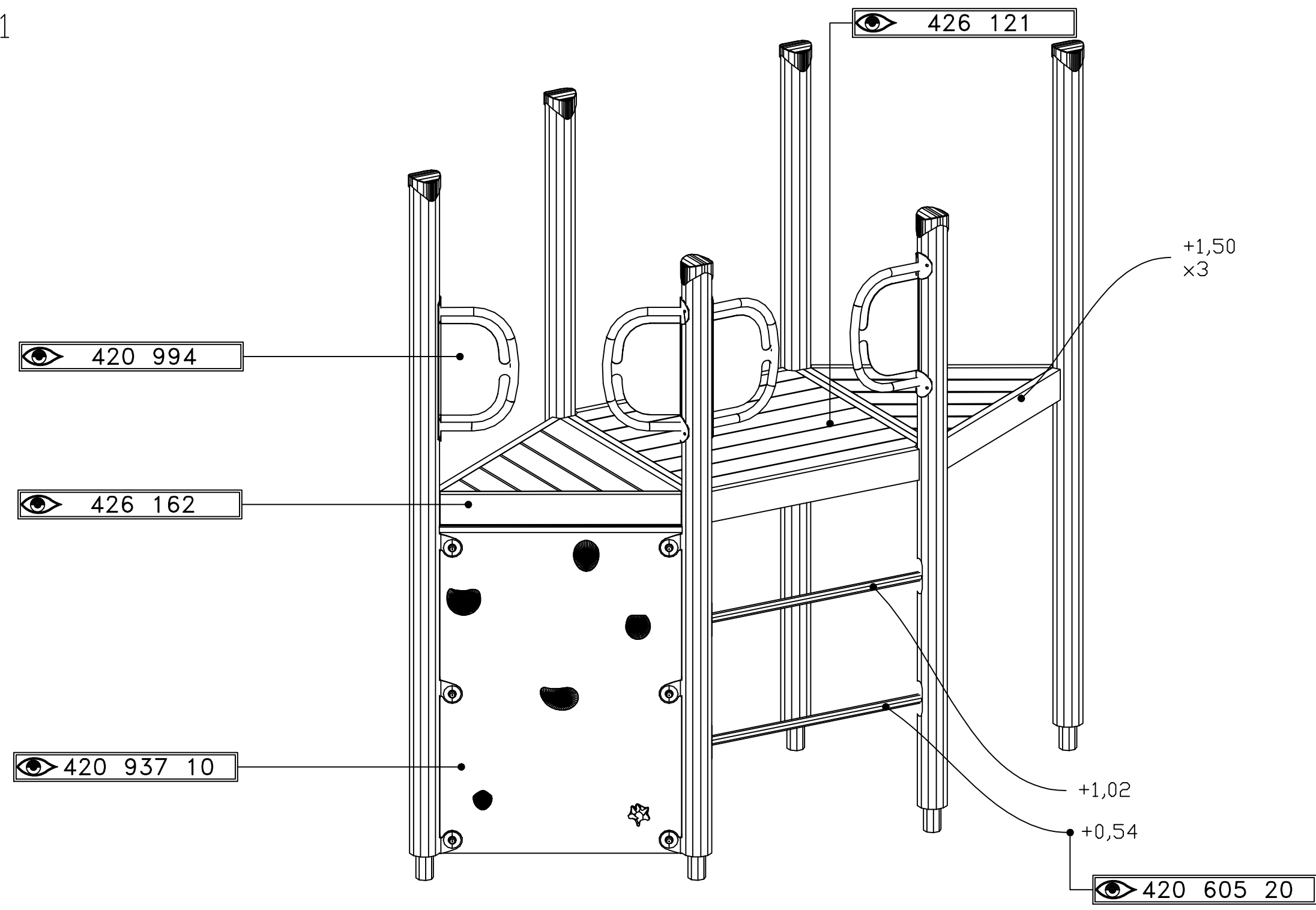
5-12



Step by Step UniPlay

HAGS 4020 SE 1(3)

STEP 1

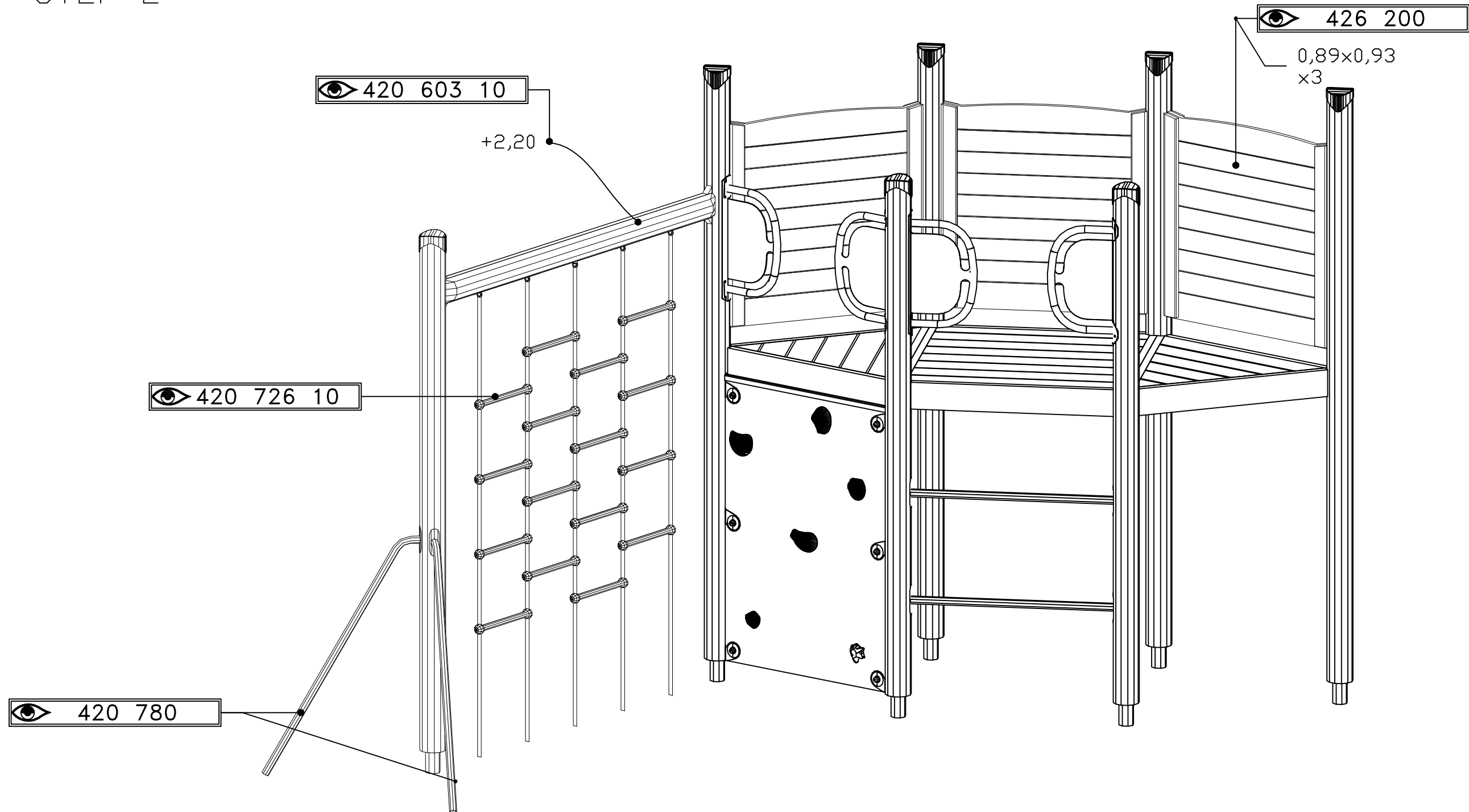


**HAGS** ANEBY, SWEDEN  
+46(0)380-47300  
www.hags.com

UniPlay Wallau  
8051905  
2/4

EF 2015-04-15

STEP 2

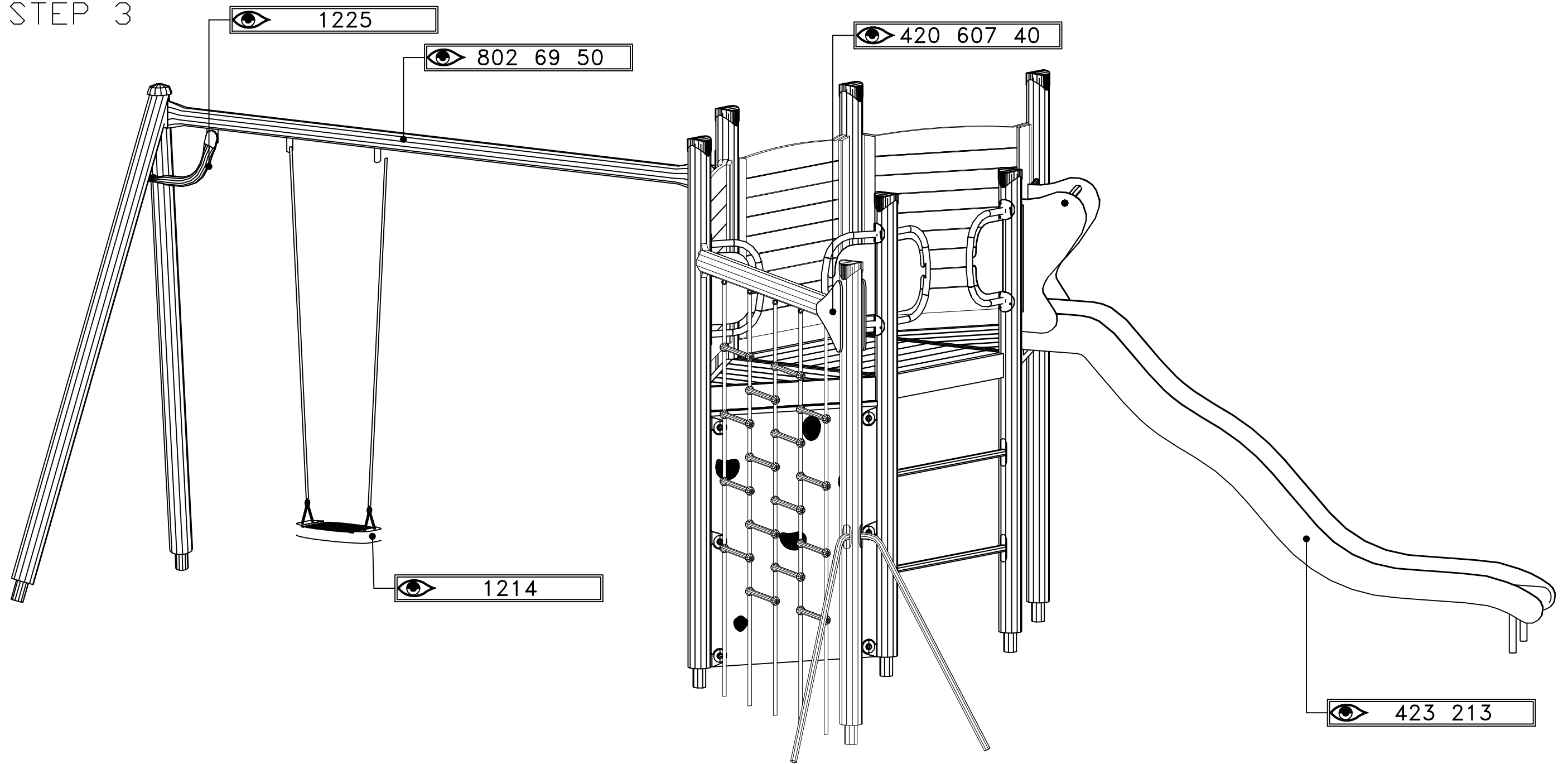


**HAGS** ANEBY, SWEDEN  
+46(0)380-47300  
www.hags.com

UniPlay Wallau  
8051905  
3/4

EF 2015-04-15

STEP 3



**HAGS** ANEBY, SWEDEN  
+46(0)380-47300  
www.hags.com

UniPlay Wallau  
8051905  
4/4

EF 2015-04-15