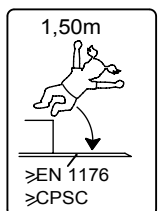


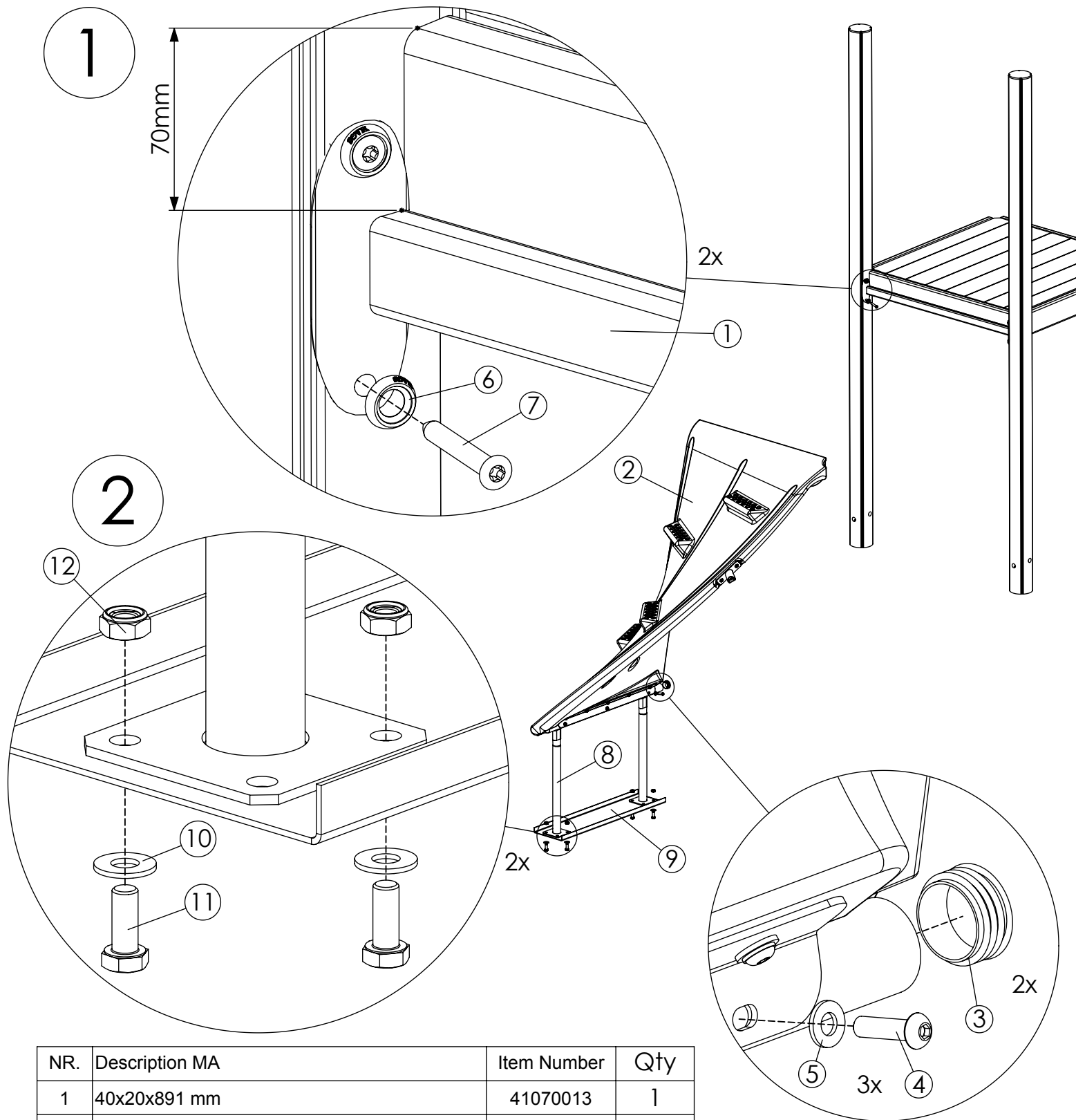
Description MA	Item Number	Qty
40x20x891 mm	41070013	1
1385x873x60 mm	41070010	1
Washer, Bolt cap 9x18x2-ISO4759-3-C	8008849	6
End cap, outer Ø38, inner Ø32-36.	8005232	2
Screw, ISO7380-1-M8x30-10.9	8008445	6
Screw, wood, TKFT-8x60-8.8	8008646	4
810 x 570 mm	8048406	1
740x180x25	8063009	1
Washer, Bolt cap 11x24x2-ISO4759-3-C	8008850	4
Ø38, 1151x1440 mm	41070012	1
Screw, ISO4762-M8x45-8.8	8008476	1
Ø13x27x2 mm	260485	1
Screw, ISO4017-M10x25-8.8	8008371	4
Ø6 16/7 x 3 mm	8035290	8
Screw, wood, TKFT-6x40-8.8	8008651	8
Gripbow Low B	8060997	1
Ø21.4 x Ø11 x 4,7 mm	8035288	4
Nut, Fujilok-M10-8-RingA2	8008796	4



HAGS ANEBY, SWEDEN
+46(0)380-47300
www.hags.com

Twisted ramp for wooden post S
MASW57034
1 (3)

PWR
 JN
 2017-02-14
 0

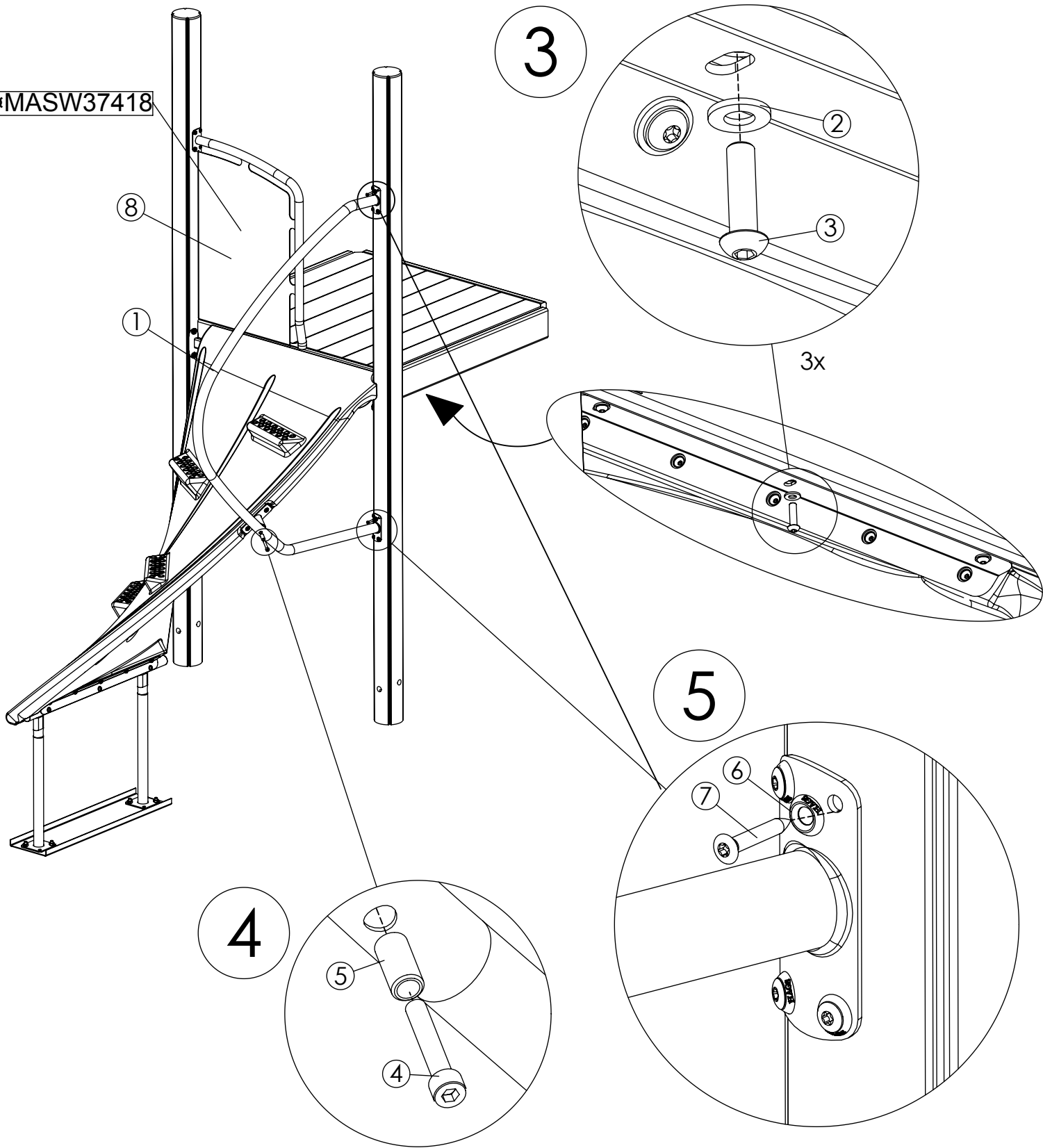


NR.	Description MA	Item Number	Qty
1	40x20x891 mm	41070013	1
2	1385x873x60 mm	41070010	1
3	End cap, outer Ø38, inner Ø32-36.	8005232	2
4	Washer, Bolt cap 9x18x2-ISO4759-3-C	8008849	3
5	Screw, ISO7380-1-M8x30-10.9	8008445	3
6	Ø21.4 x Ø11 x 4,7 mm	8035288	4
7	Screw, wood, TKFT-8x60-8.8	8008646	4
8	810 x 570 mm	8048406	1
9	740x180x25	8063009	1
10	Washer, Bolt cap 11x24x2-ISO4759-3-C	8008850	4
11	Screw, ISO4017-M10x25-8.8	8008371	4
12	Nut, Fujilok-M10-8-RingA2	8008796	4

HAGS ANEBY, SWEDEN
+46(0)380-47300
www.hags.com

**Twisted ramp for
wooden post S
MASW57034
2 (3)**

MASW37418



NR.	Description MA	Item Number	Qty
1	Ø38, 1151x1440 mm	41070012	1
2	Washer, Bolt cap 9x18x2-ISO4759-3-C	8008849	3
3	Screw, ISO7380-1-M8x30-10.9	8008445	3
4	Screw, ISO4762-M8x45-8.8	8008476	1
5	Ø13x27x2 mm	260485	1
6	Ø6 16/7 x 3 mm	8035290	8
7	Screw, wood, TKFT-6x40-8.8	8008651	8
8	Gripbow Low B	8060997	1

HAGS ANEBY, SWEDEN
+46(0)380-47300
www.hags.com

**Twisted ramp for
wooden post S
MASW57034
3 (3)**