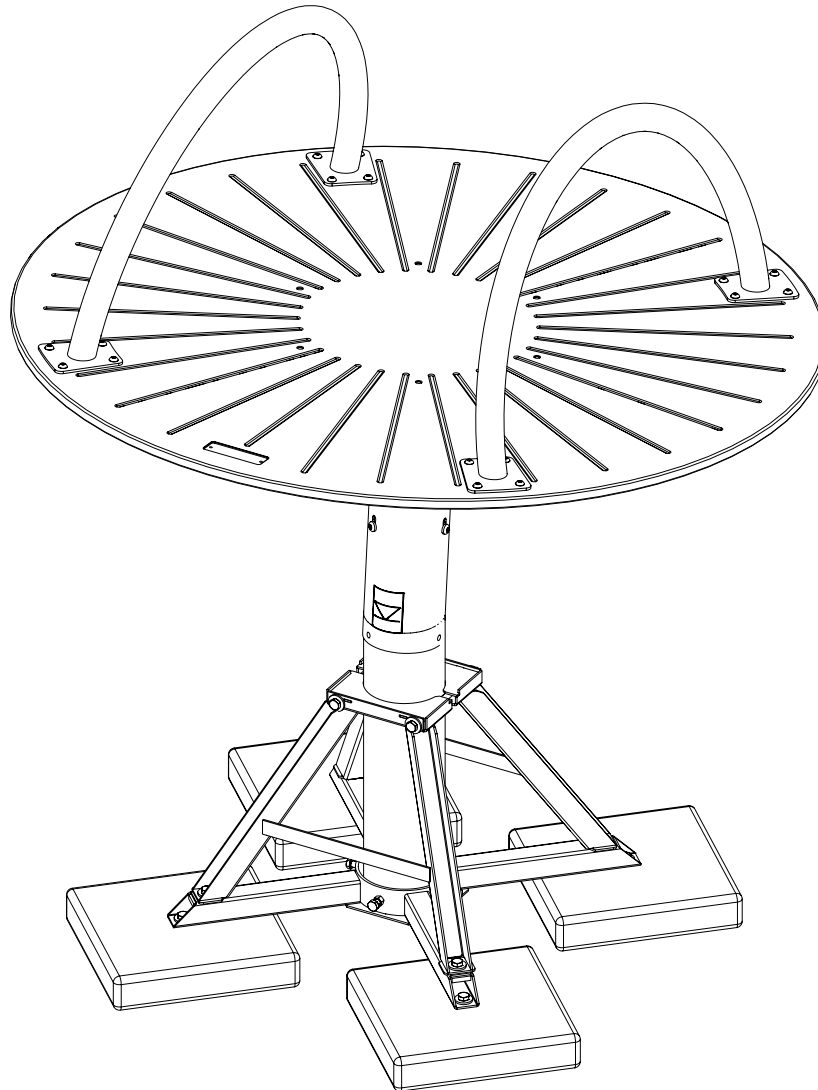


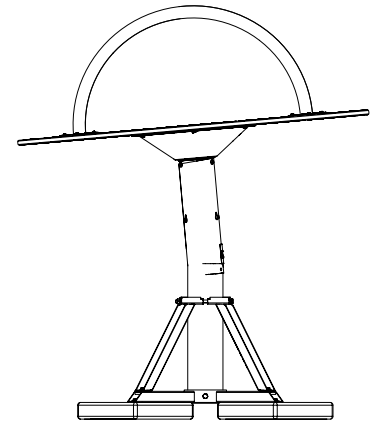
HAGS[®]




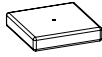
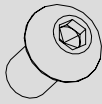







Roundabout Roty



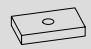

MASW17378


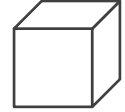


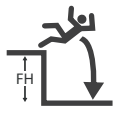
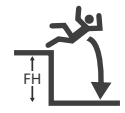




S, CC/BM

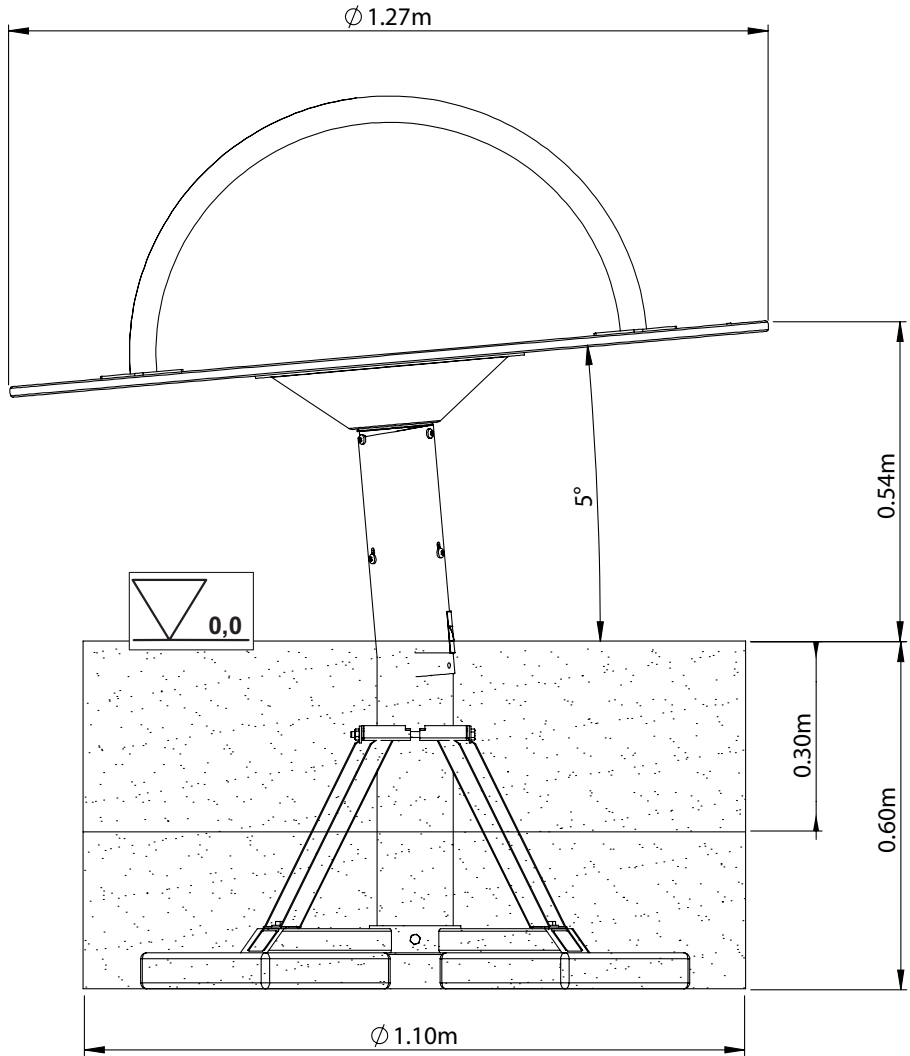


1	SW17076		1x Ø1300x17,7mm	31.09kg
2	SW17084		2x 980x430x171mm	4.54kg
3	SW17404		1x Ø450x 1000mm	19.80kg
4	SW42011		4x 300x300x60mm	12.29kg
5	8008451		6x ISO7380-1-M10x20-10.9	0.019kg
6	8008502		16x ISO7380-1-M8x20-10.9	0.011kg
7	31-04748		1x 750x750x50mm	5.07kg
8	31-04936		2x 500x340x240mm	7.87kg
9	8008832		12x Ø10,5x28x3mm	0.012kg
10	8008404		2x ISO4014-M10x200-8.8	0.1342kg
11	8008371		8x ISO4017-M10x25-8.8	0.0263kg
12	8008796		2x M10-8-RingA2	0.011kg

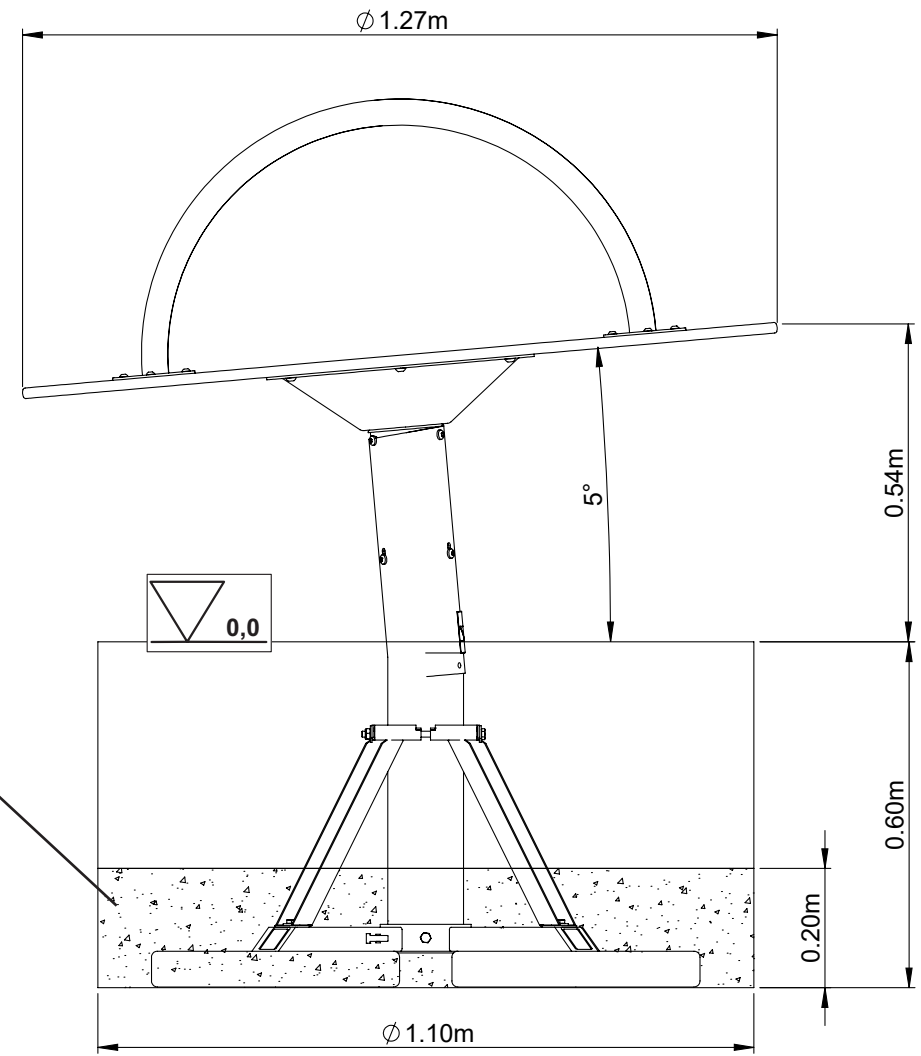
13	8008771		4x M6M-8 M10	0.010kg
14	8008373		4x ISO4017-M10x30-8.8	0.0294kg
15	43-06812		4x 50x30x8mm	0.09kg
16	8005499		1x 140x35mm	0.01kg

<p>S12</p>  <p>kg 125</p>	<p>S15</p>  <p>L x W x H (m) 1.27x1.27x0.99</p>	<p>S13</p>  <p>m³ 0.2</p>	<p>S14</p>  <p>m² 6.50 x 6.50</p>
<p>S6</p>  <p>EN1176 1.0m</p>	<p>S8</p>  <p>ASTM F1487 22"</p>	<p>S9</p>  <p>CSA Z 614 0.55m - [22"]</p>	<p>S20</p>  <p>2 x 1</p>

S

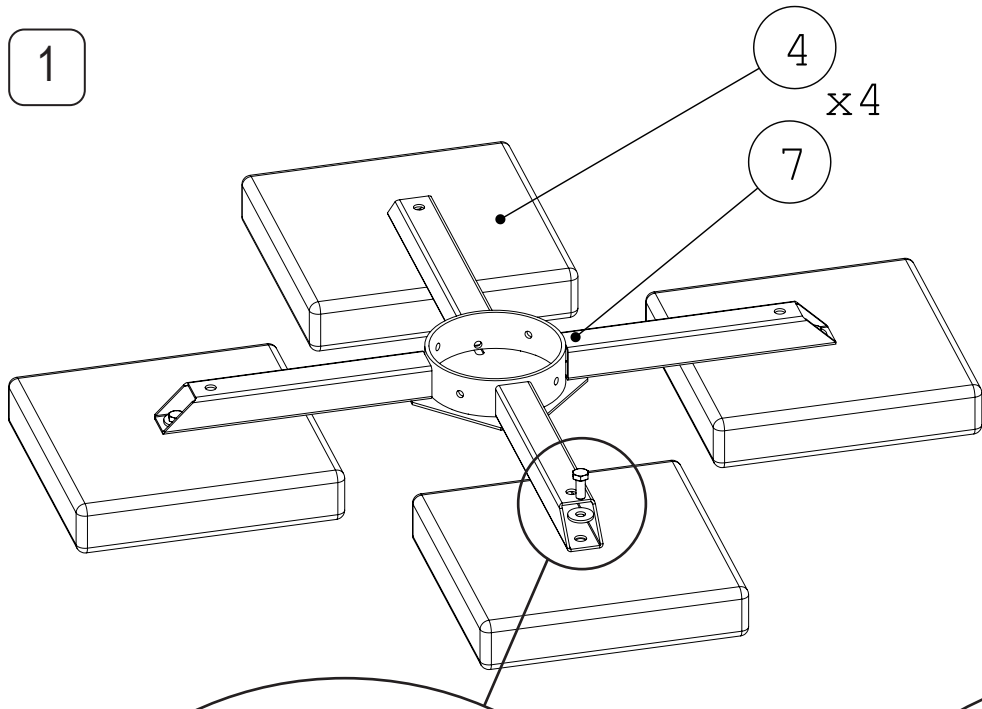


CC/BM

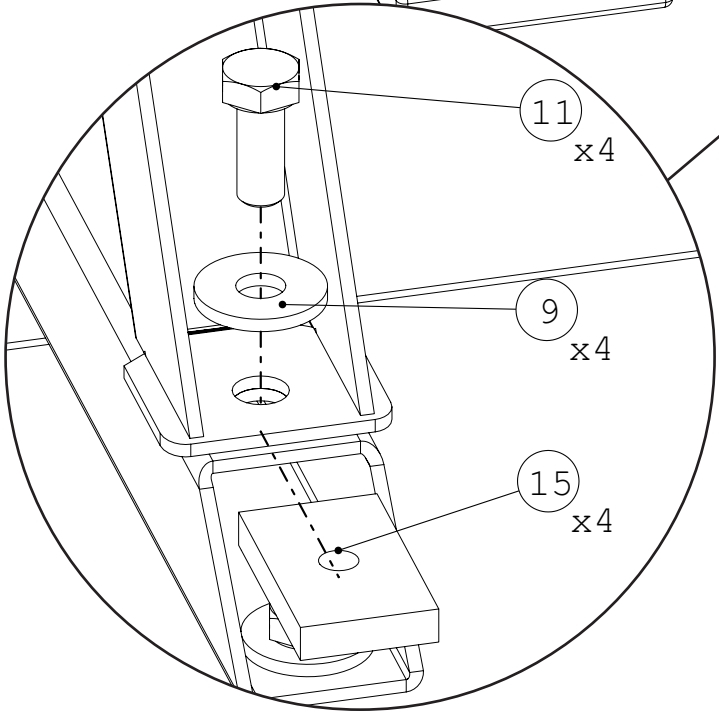
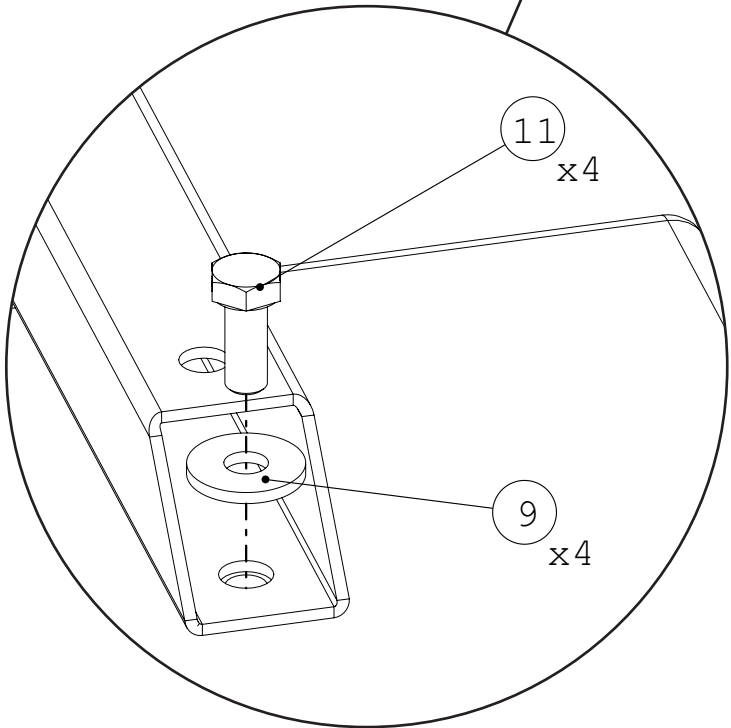
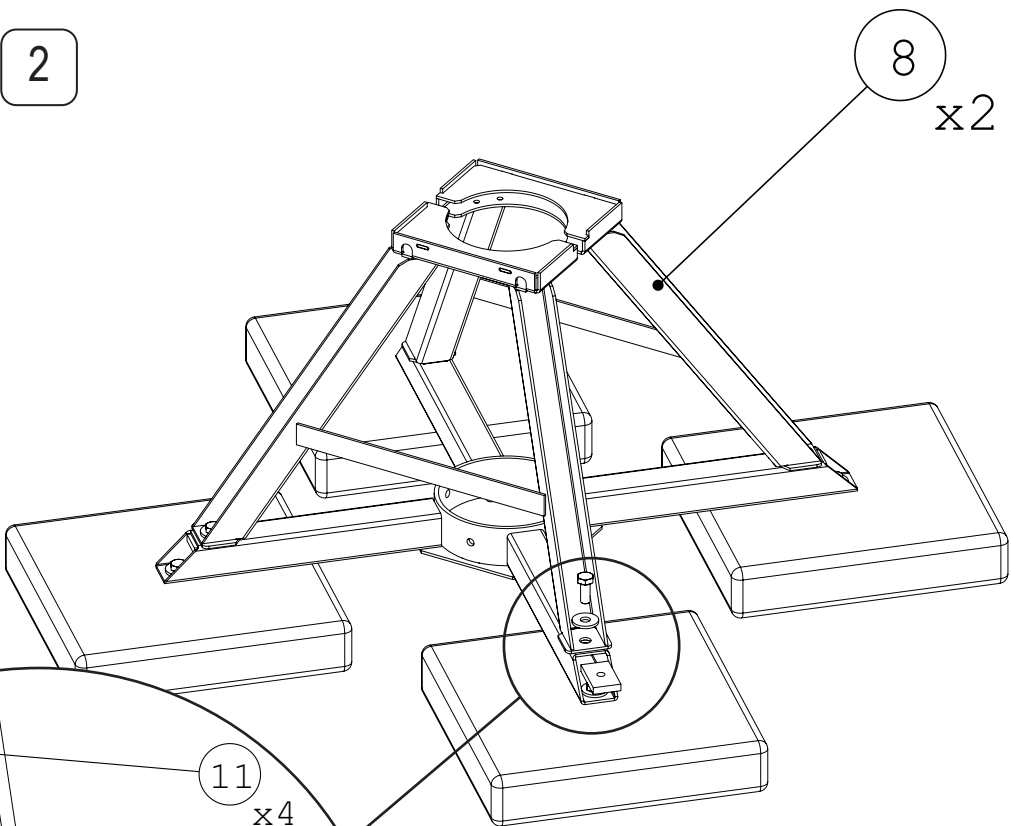


S25	
S1-S3	>C20/25
	4 x 24
	101

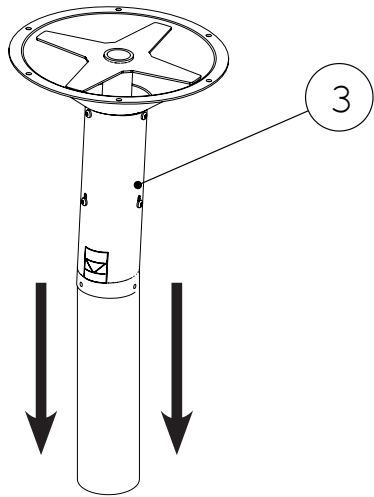
1



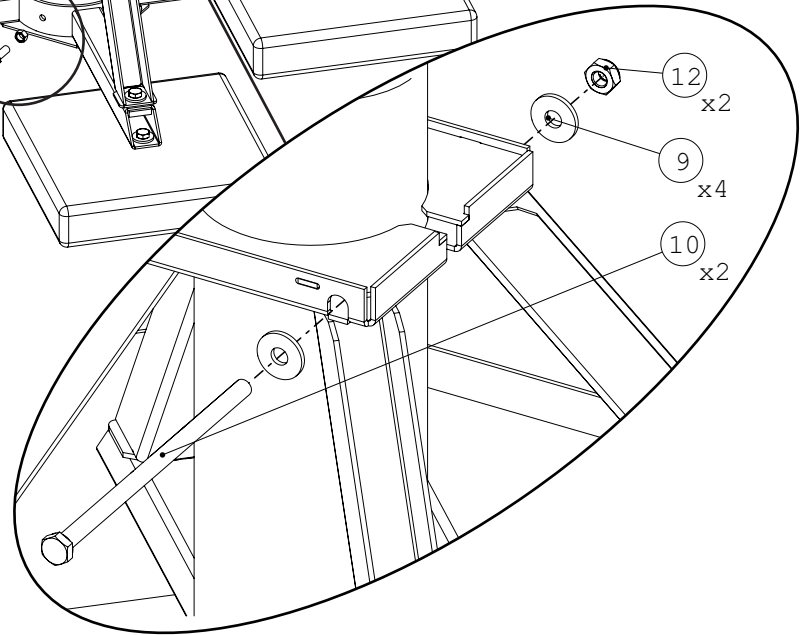
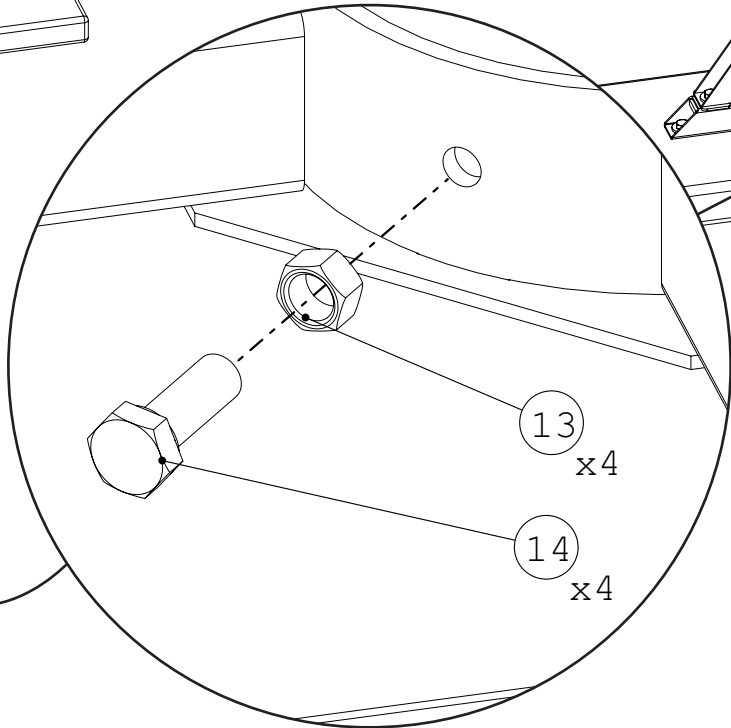
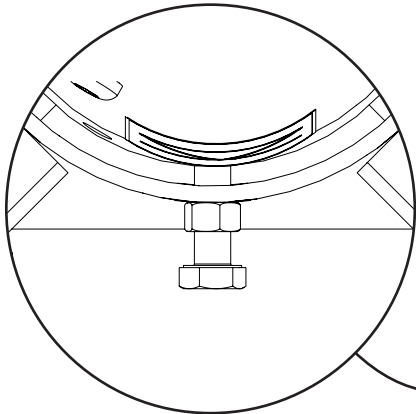
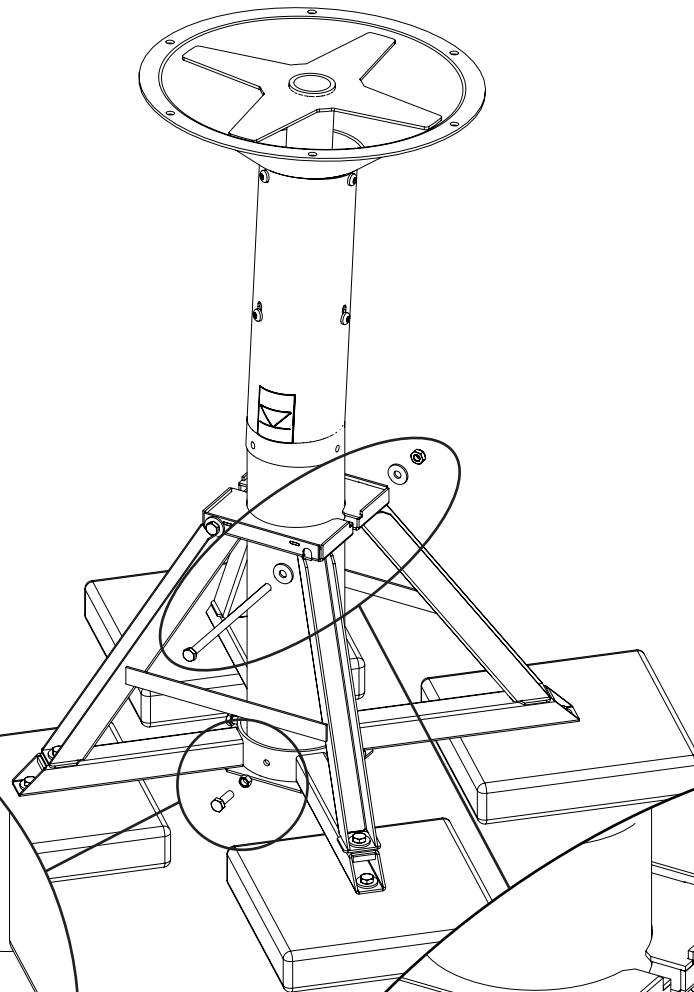
2



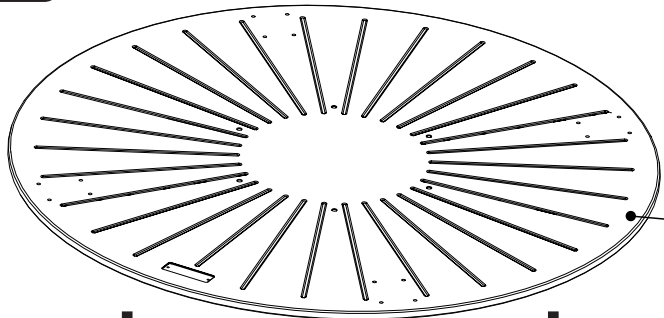
3



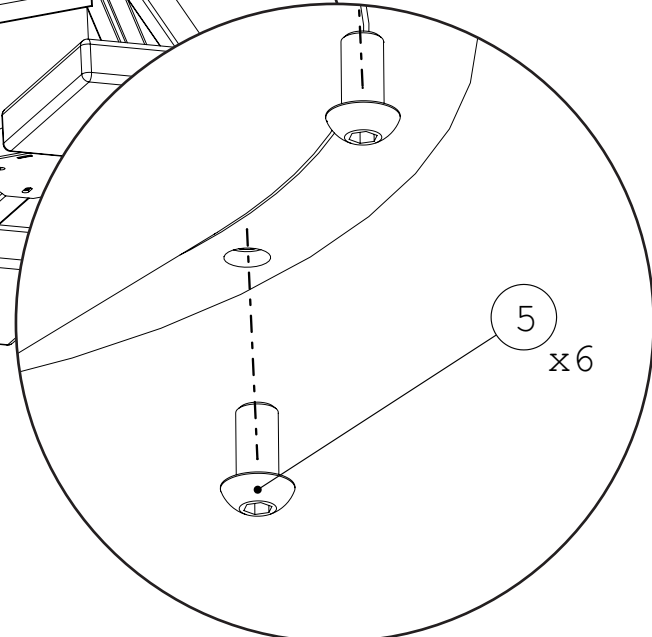
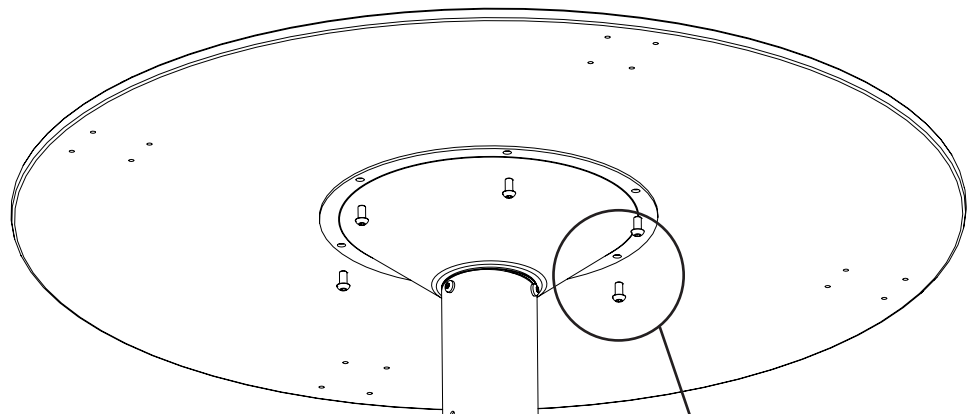
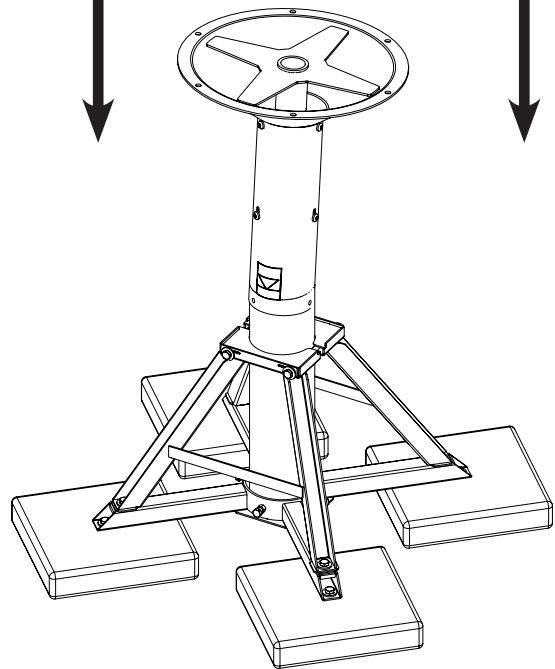
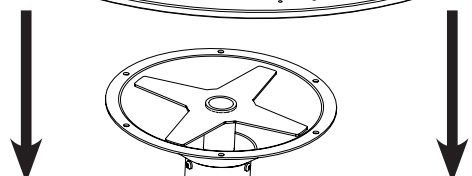
4



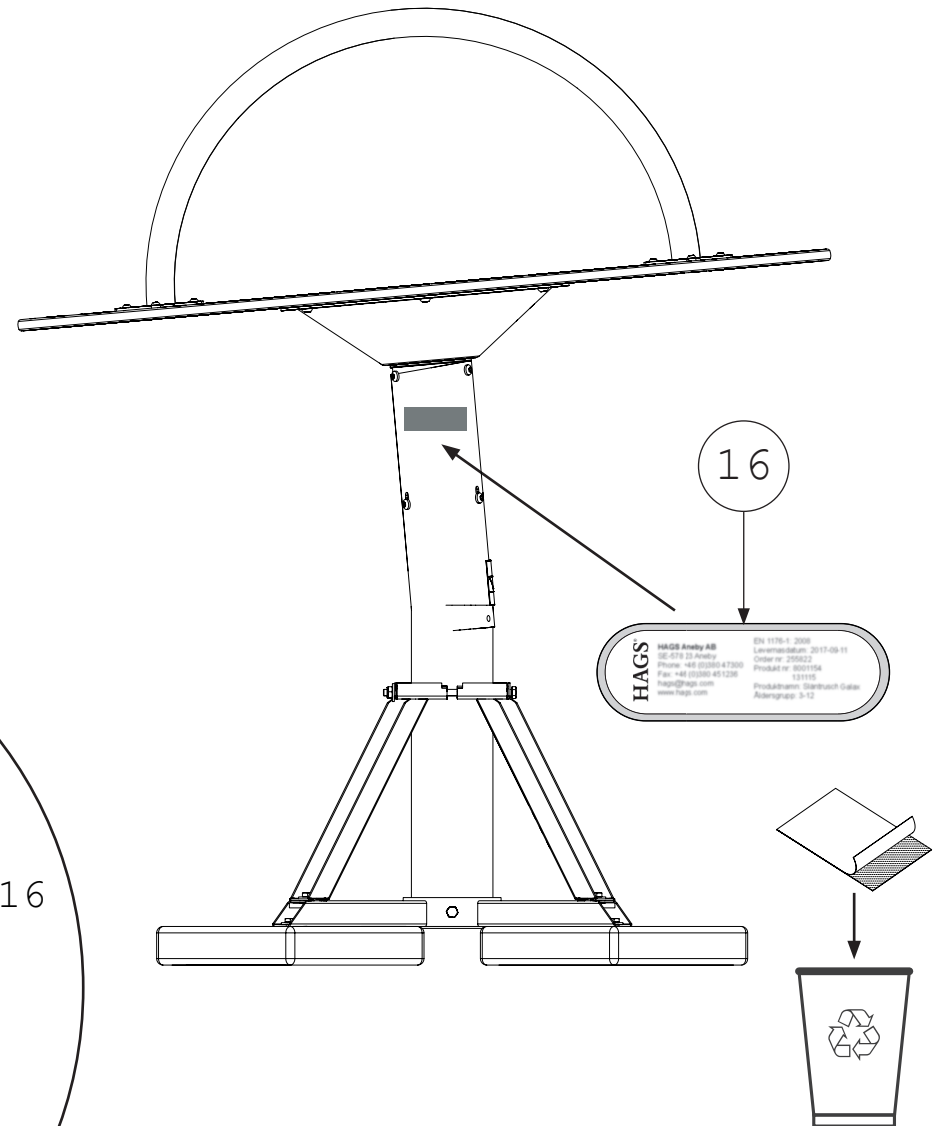
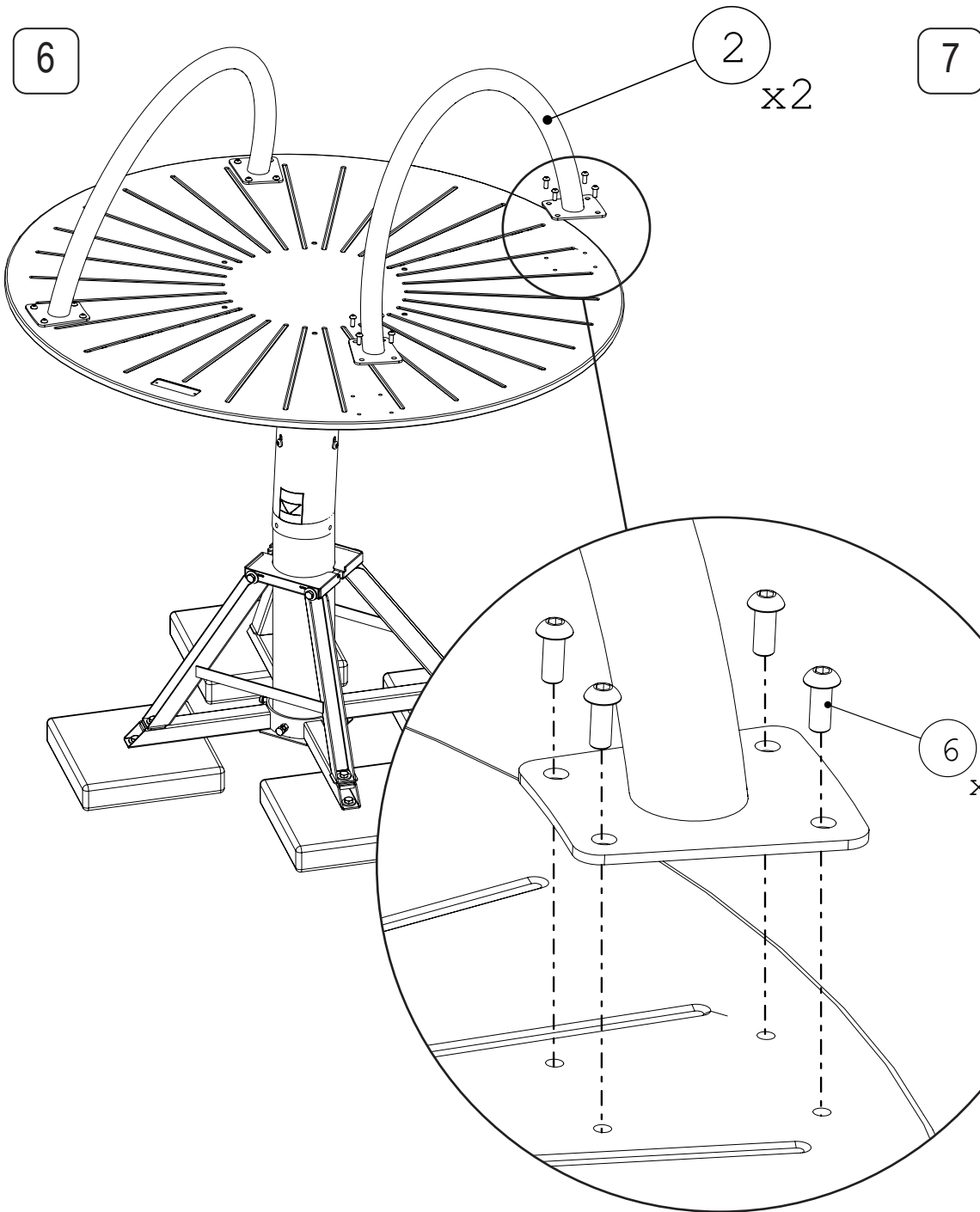
5



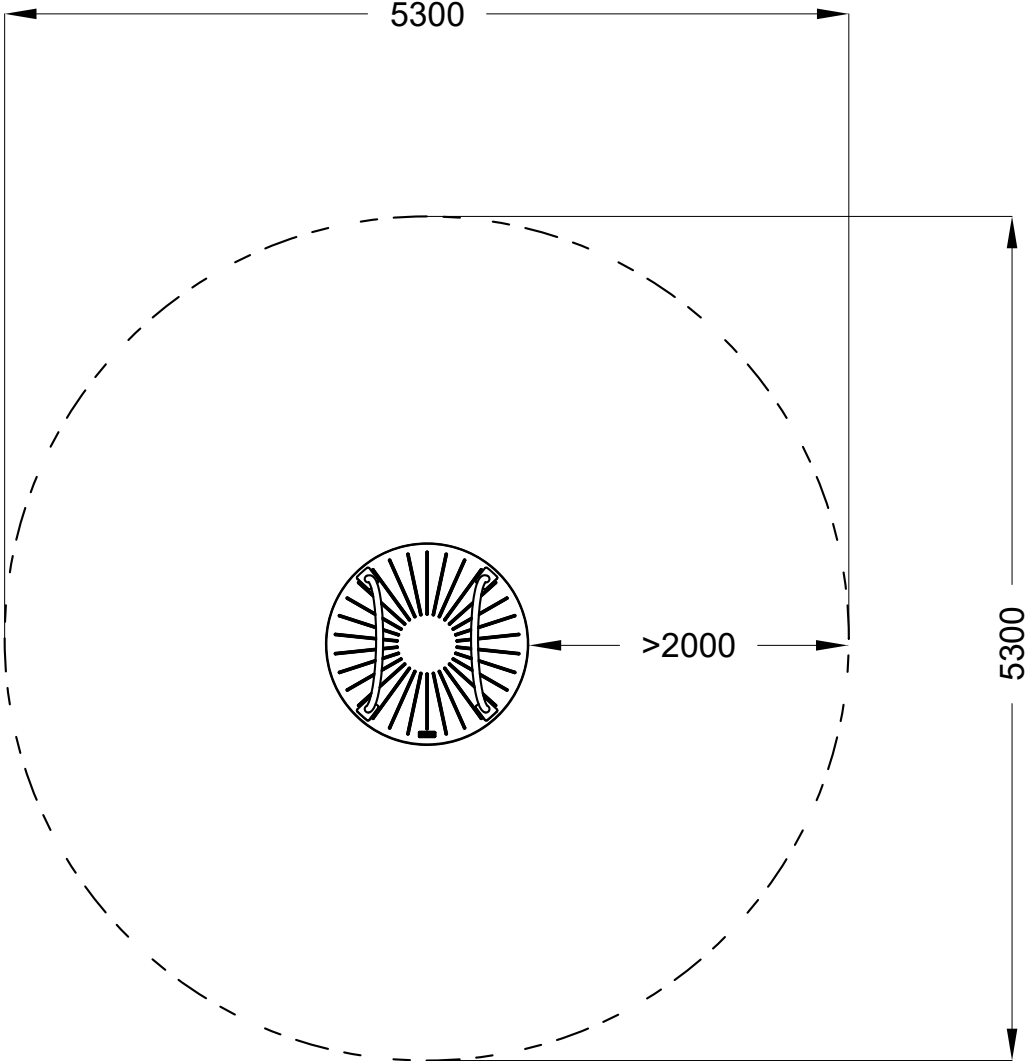
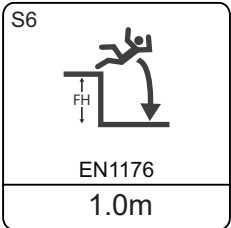
1



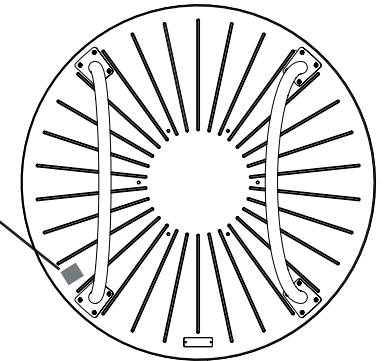
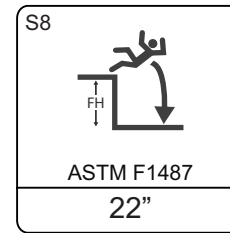
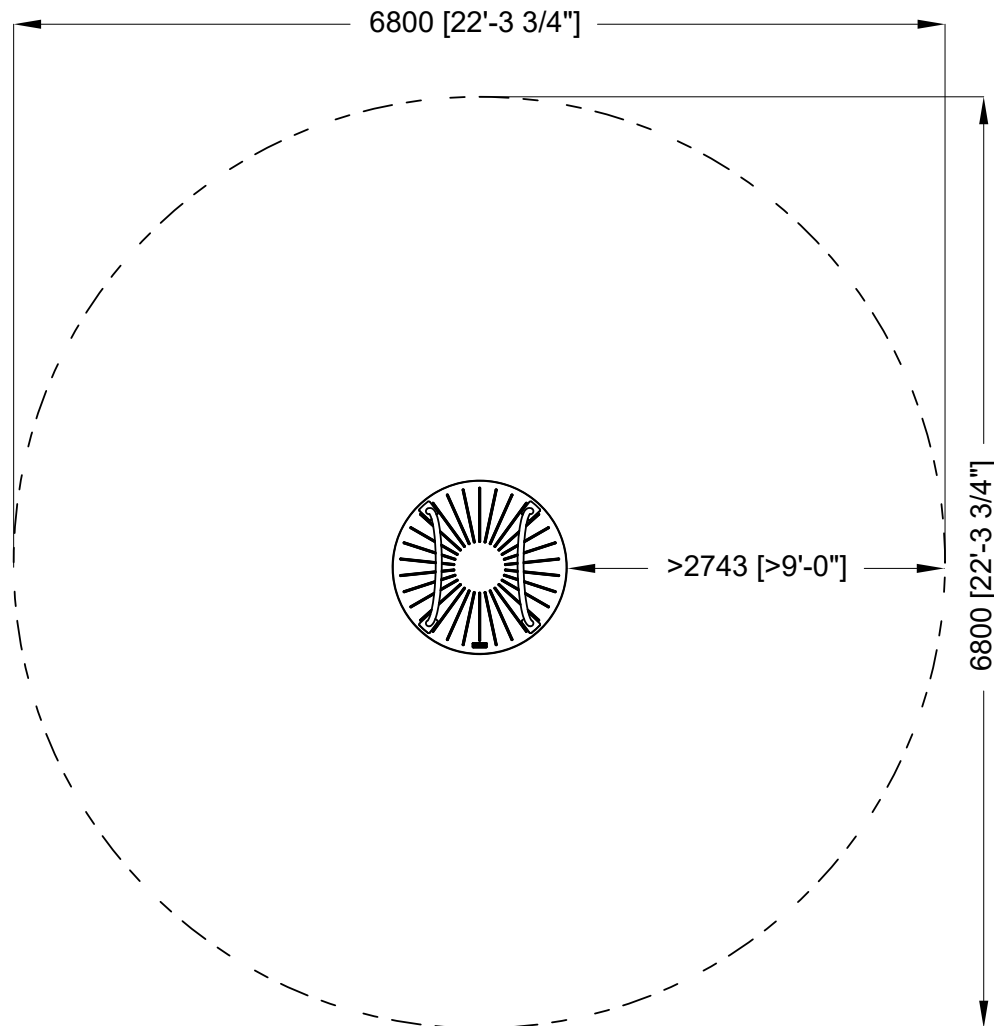
5 x6



A



B



⚠ WARNING
 Playground equipment installed over hard surfaces such as concrete, asphalt or packed earth may result in serious injury or death from falls. Make sure that appropriate safety surfacing is present, before allowing children to play.

⚠ WARNING
 Children have strangled and died while their clothes caught on slides and other playground equipment. Before allowing children to play, remove helmets, scarves, necklaces, hood cords, neck drawstrings, and mittens connected through the sleeves. Also, remove any foreign ropes, strings, or shoe laces that may be tied to equipment

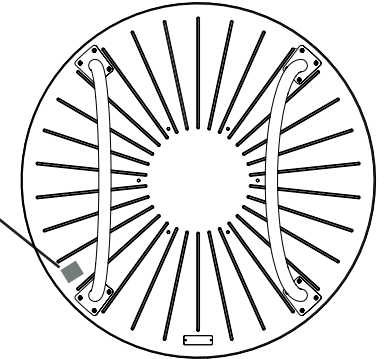
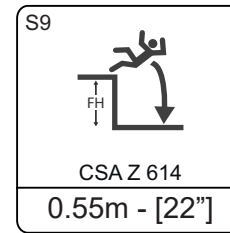
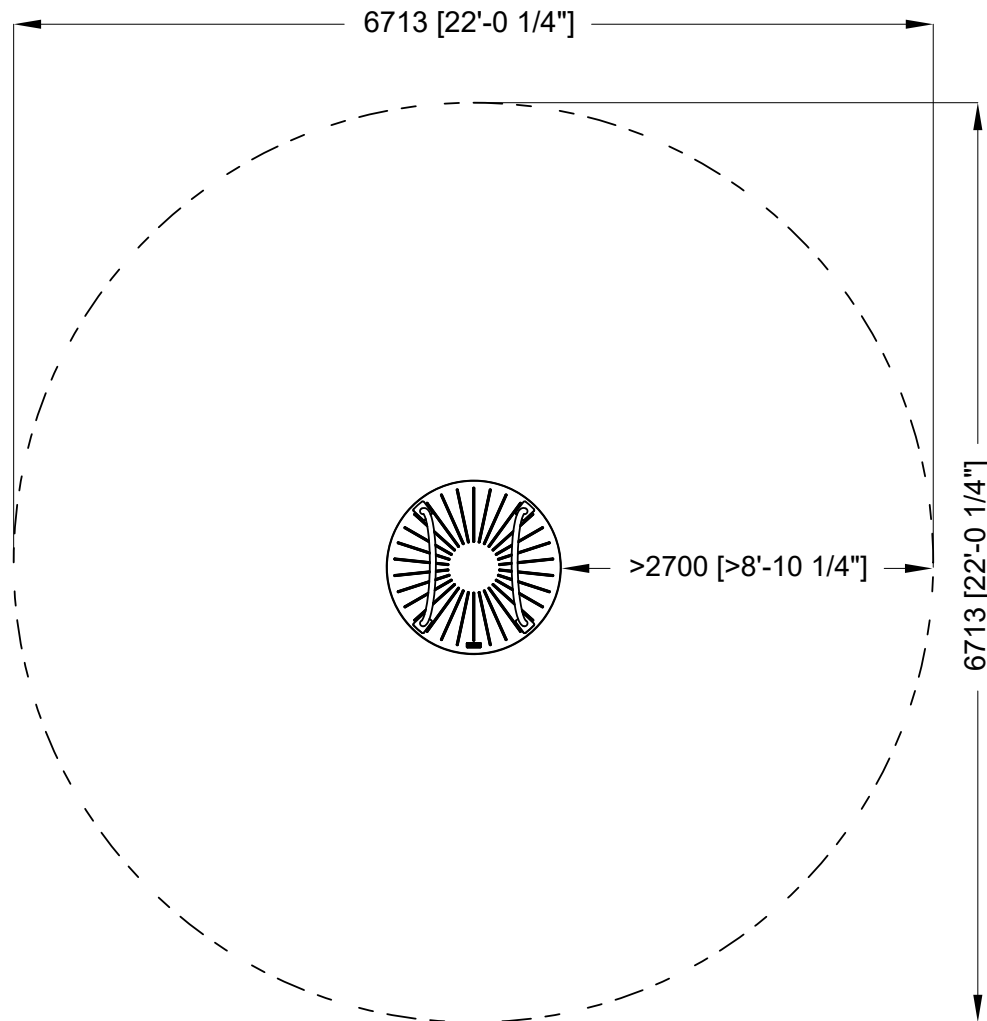
⚠ WARNING
 All playground equipment and rubber surfacing may become hot enough to cause burns. Check for hot surfaces before allowing children to play. Children should wear appropriate shoes at all times.

⚠ WARNING
 Playing tag or running on or under playground equipment can lead to serious injuries from falls, collisions, and head strikes. do not run on or under playground equipment. Pay attention while playing and be careful.

“play smart” rules

- ✓ Do not play on broken or damaged equipment. Report it.
- ✓ Do not play without adequate safety surfacing below and around equipment.
- ✓ No helmets, necklaces or drawstrings should be worn while on equipment.
- ✓ Be careful of hot paly surfaces and always wear shoes while playing.
- ✓ Do not play tag or run on playground equipment and do not jump off of equipment.
- ✓ Watch your head! Do not run under bridges, decks, stairs, or other equipment.
- ✓ Be careful when equipment is wet. Do not play on snowy or icy equipment.
- ✓ Do not climb on roofs, railings, or posts, or on top of crawl through tube slides.
- ✓ Slide sitting down, feet first, and one at a time. Do not slide up chutes or tubes.
- ✓ Adults – do not slide with a child on your lap. It can injure your child’s legs.
- ✓ Before letting go of overhead bars, hang down still, bend your knees a little and drop straight down with both feet.
- ✓ Swing sitting down and do not jump out while swinging. Do not twist chains.

C



⚠ WARNING
 Playground equipment installed over hard surfaces such as concrete, asphalt or packed earth may result in serious injury or death from falls. Make sure that appropriate safety surfacing is present, before allowing children to play.

⚠ WARNING
 Children have strangled and died while their clothes caught on slides and other playground equipment. Before allowing children to play, remove helmets, scarves, necklaces, hood cords, neck drawstrings, and mittens connected through the sleeves. Also, remove any foreign ropes, strings, or shoe laces that may be tied to equipment

⚠ WARNING
 All playground equipment and rubber surfacing may become hot enough to cause burns. Check for hot surfaces before allowing children to play. Children should wear appropriate shoes at all times.

⚠ WARNING
 Playing tag or running on or under playground equipment can lead to serious injuries from falls, collisions, and head strikes. do not run on or under playground equipment. Pay attention while playing and be careful.

“play smart” rules

- ✓ Do not play on broken or damaged equipment. Report it.
- ✓ Do not play without adequate safety surfacing below and around equipment.
- ✓ No helmets, necklaces or drawstrings should be worn while on equipment.
- ✓ Be careful of hot paly surfaces and always wear shoes while playing.
- ✓ Do not play tag or run on playground equipment and do not jump off of equipment.
- ✓ Watch your head! Do not run under bridges, decks, stairs, or other equipment.
- ✓ Be careful when equipment is wet. Do not play on snowy or icy equipment.
- ✓ Do not climb on roofs, railings, or posts, or on top of crawl through tube slides.
- ✓ Slide sitting down, feet first, and one at a time. Do not slide up chutes or tubes.
- ✓ Adults – do not slide with a child on your lap. It can injure your child’s legs.
- ✓ Before letting go of overhead bars, hang down still, bend your knees a little and drop straight down with both feet.
- ✓ Swing sitting down and do not jump out while swinging. Do not twist chains.