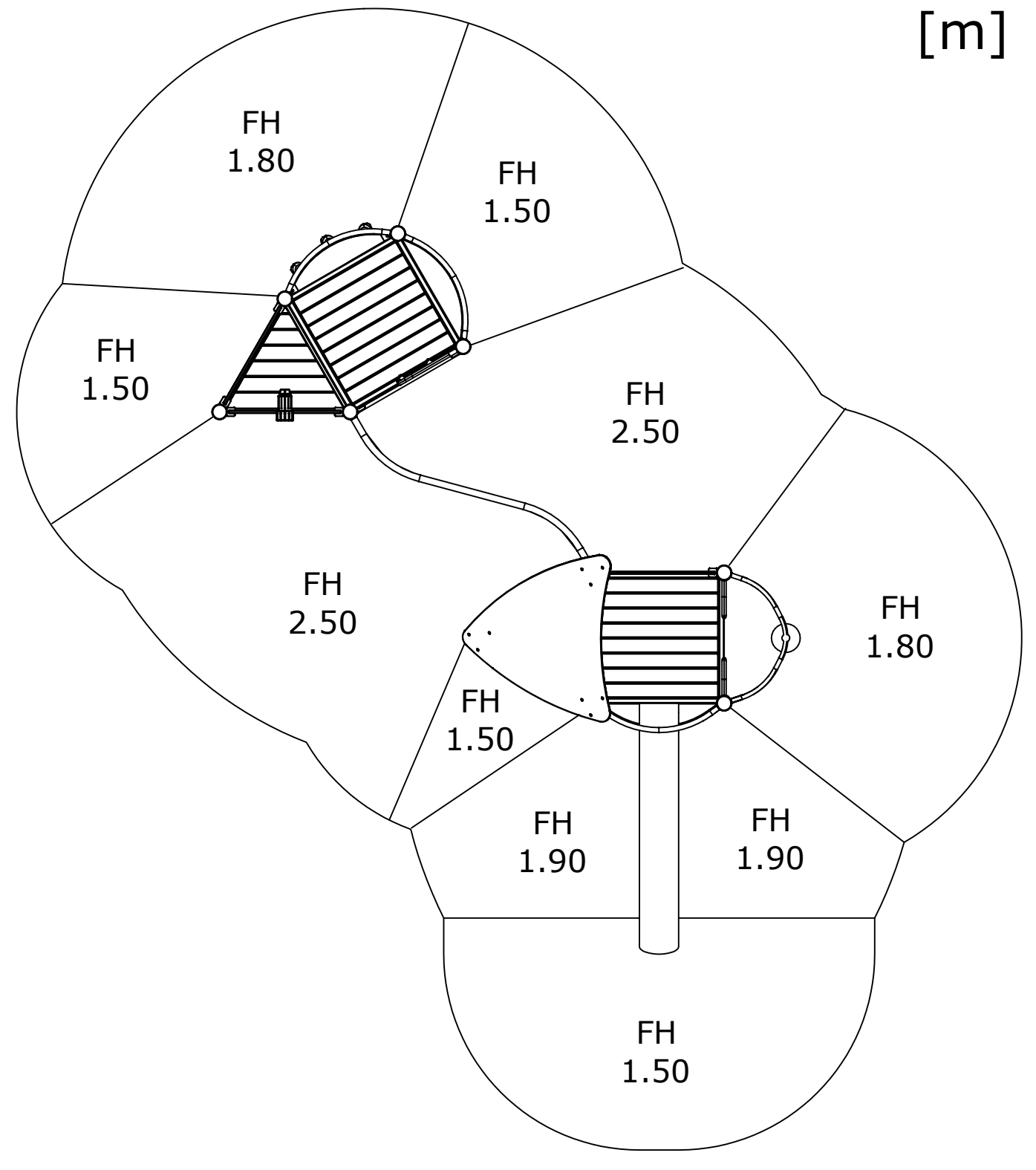
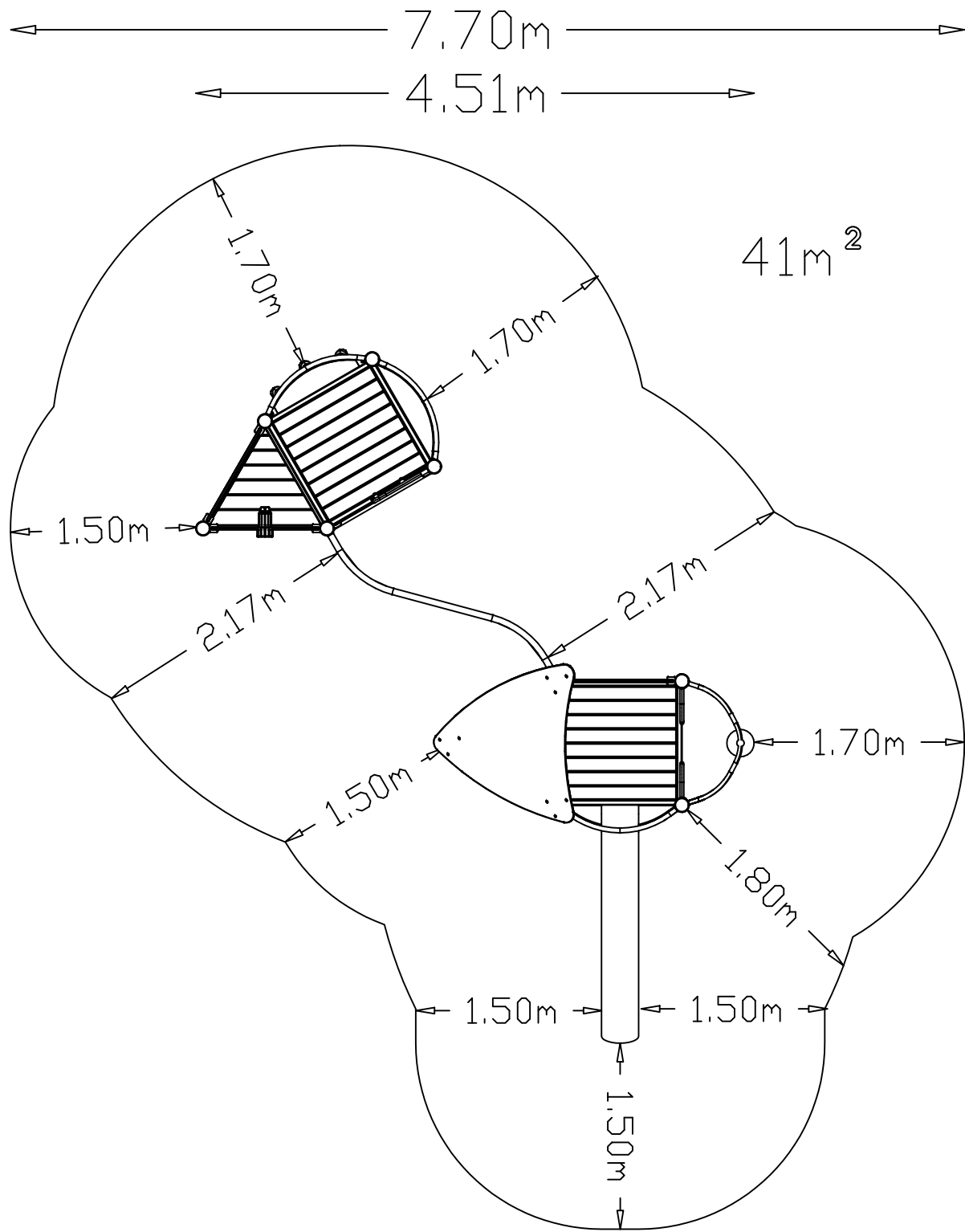


# UniPlay Dalux

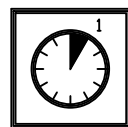
[m]



**HAGS** ANEBY, SWEDEN  
+46(0)380-47300  
www.hags.com

UniPlay Dalux  
MASW65217  
1/8

JW JW 2022-12-07 1



28h



Varje vecka  
Every week  
Jede woche  
Chaque semaine

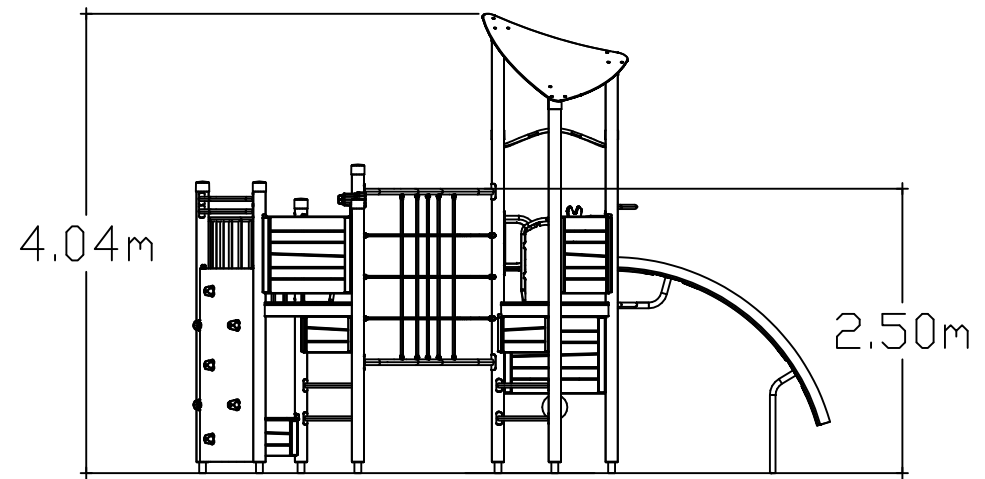


Varje säsong  
Every season  
Jedes Jahr  
Chaque saison

Step by Step UniPlay

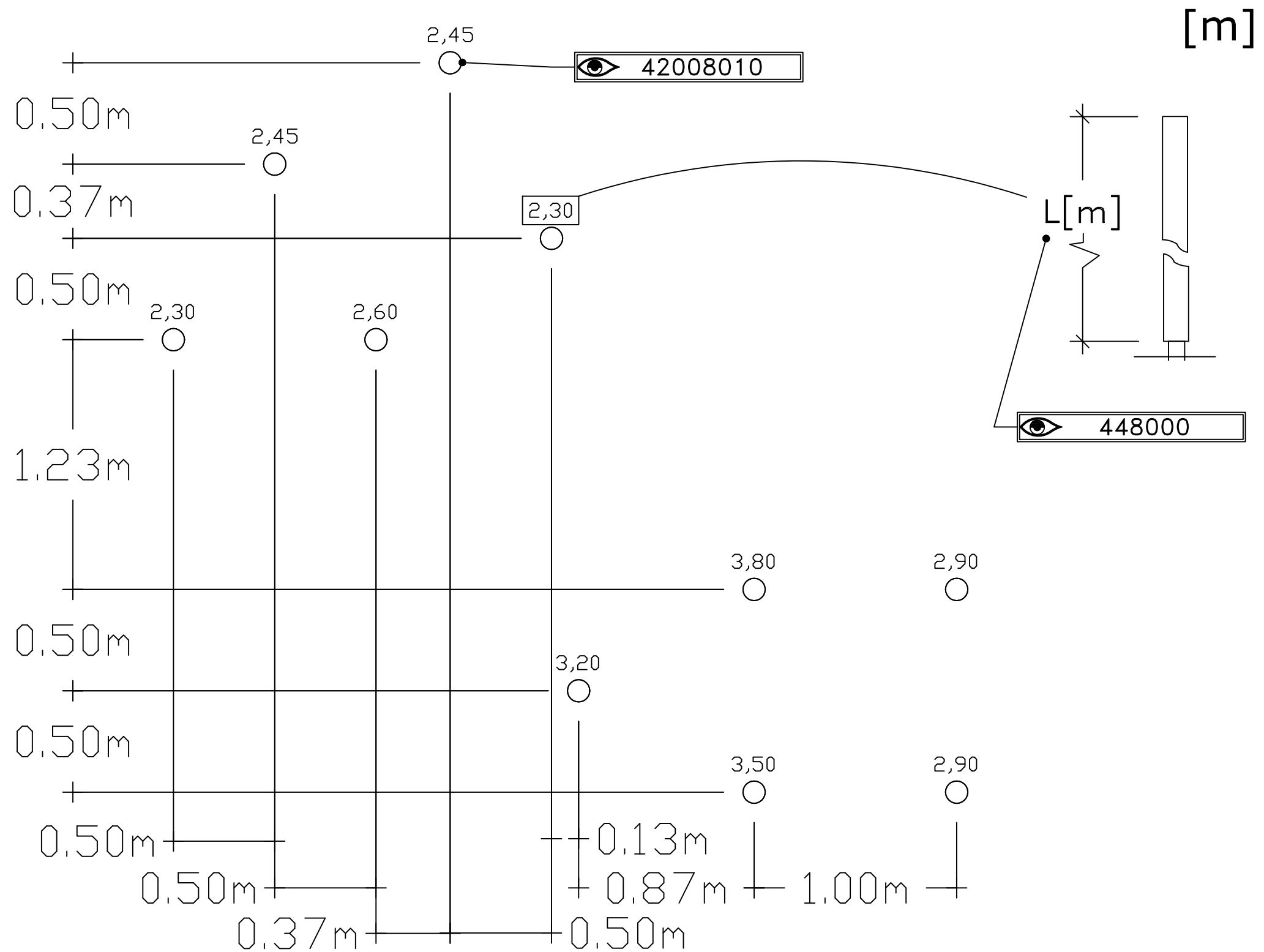
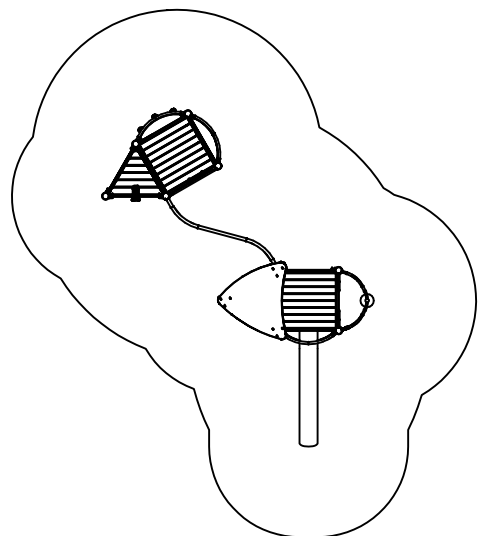
1  
2  
3  
4

HAGS  
UniPlay Dalux  
MASW65217  
SE 1(3)



FH 2.50m

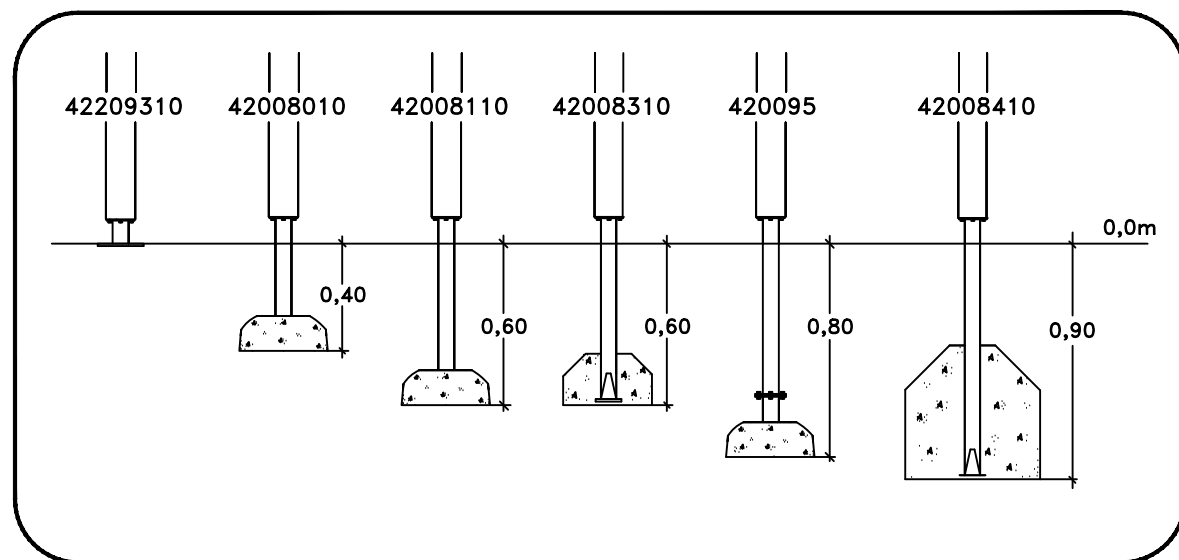
≥EN 1176  
≥CPSC



**HAGS** ANEBY, SWEDEN  
+46(0)380-47300  
www.hags.com

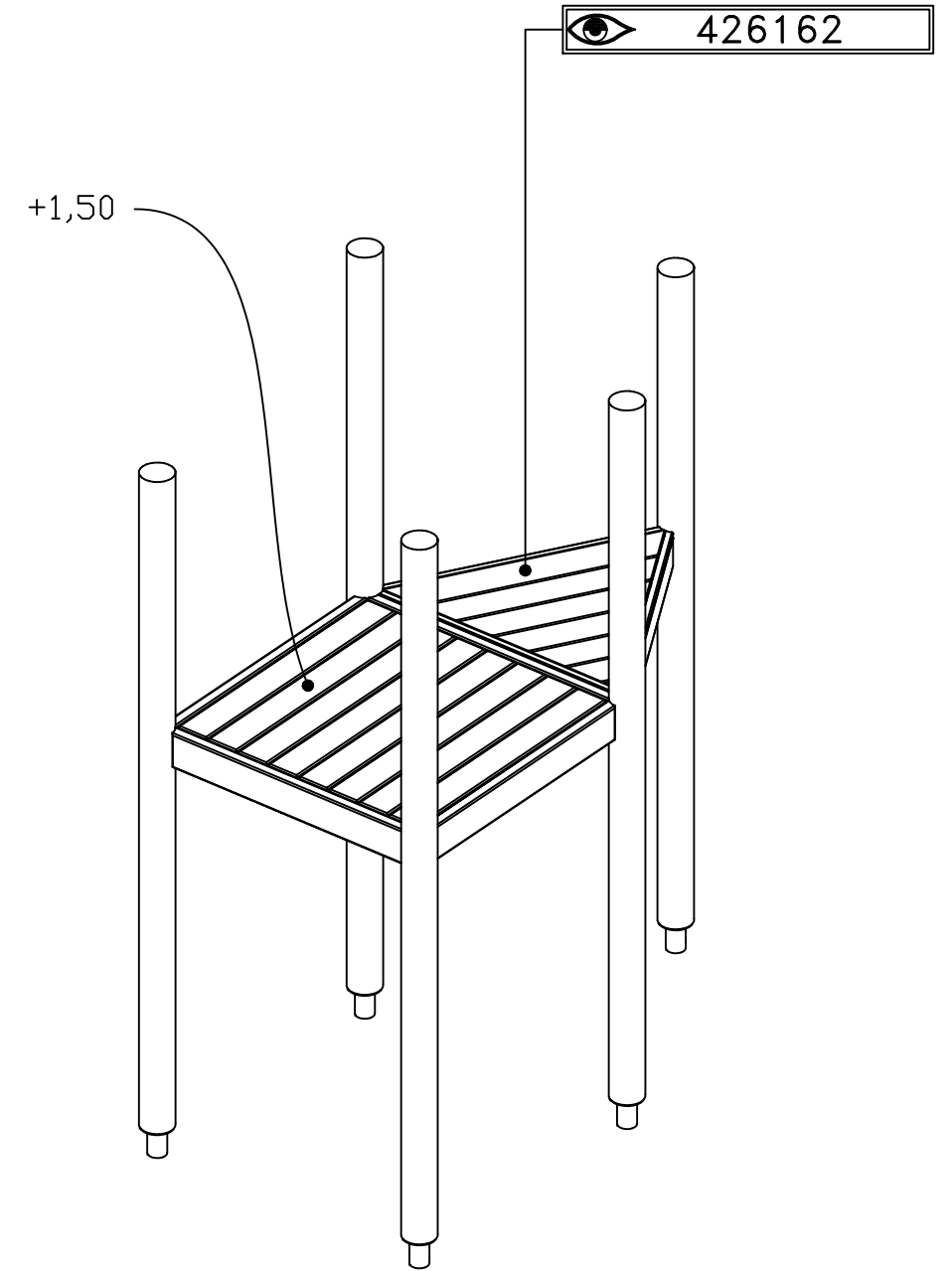
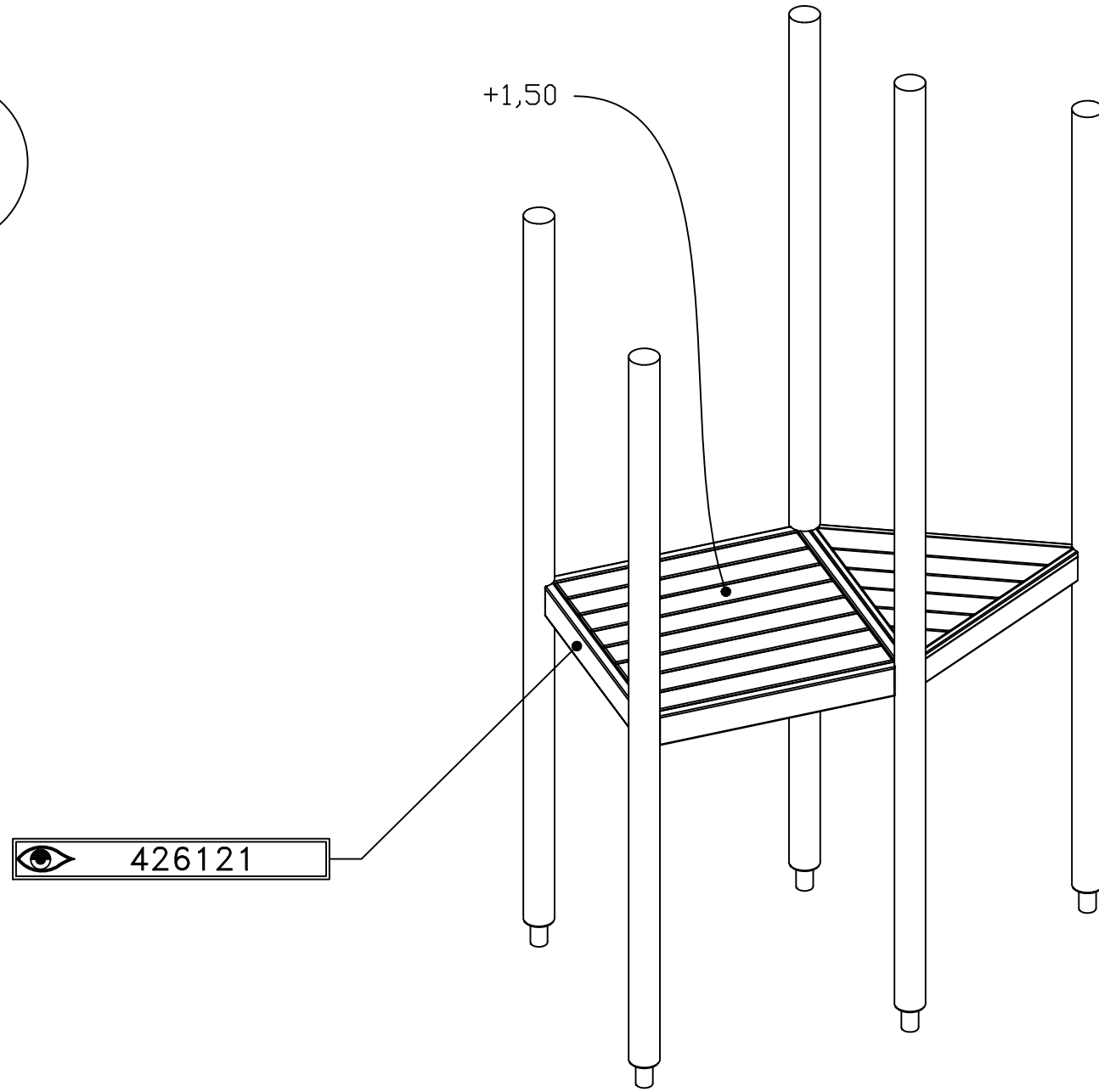
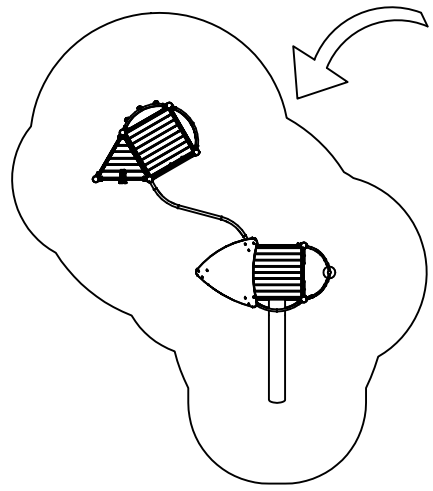
UniPlay Dalux  
MASW65217  
2/8

JW JW 2022-12-07 1



# STEP 1

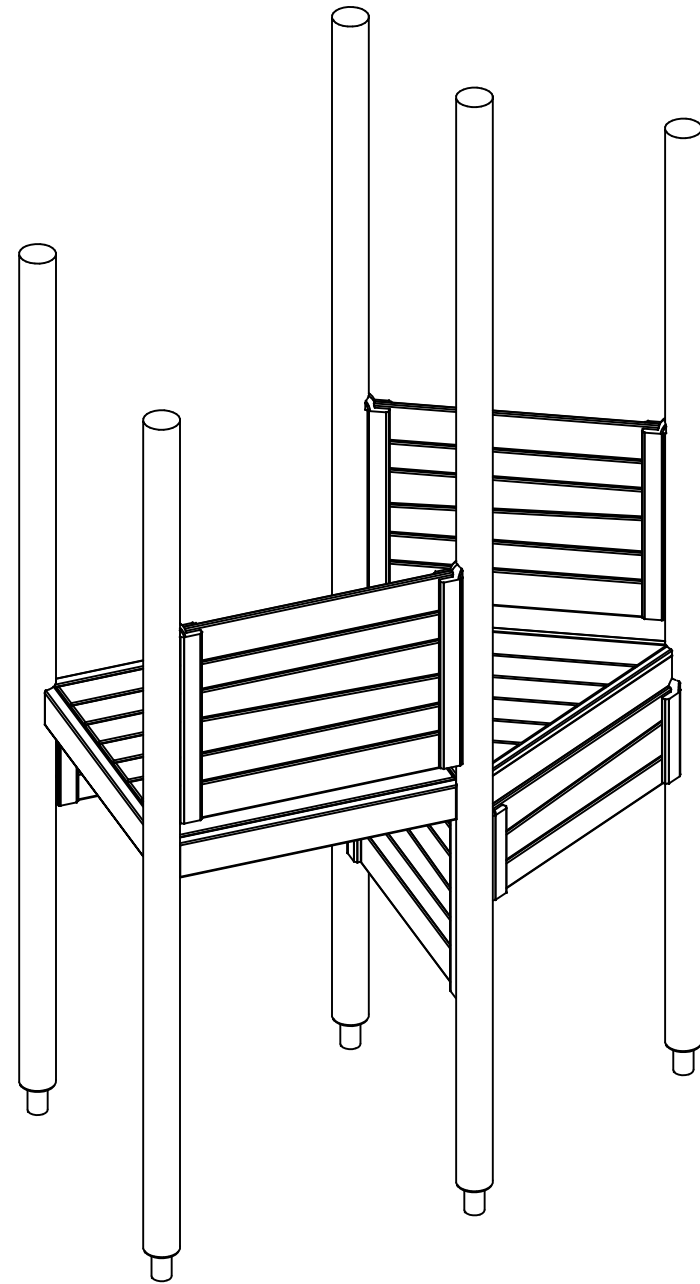
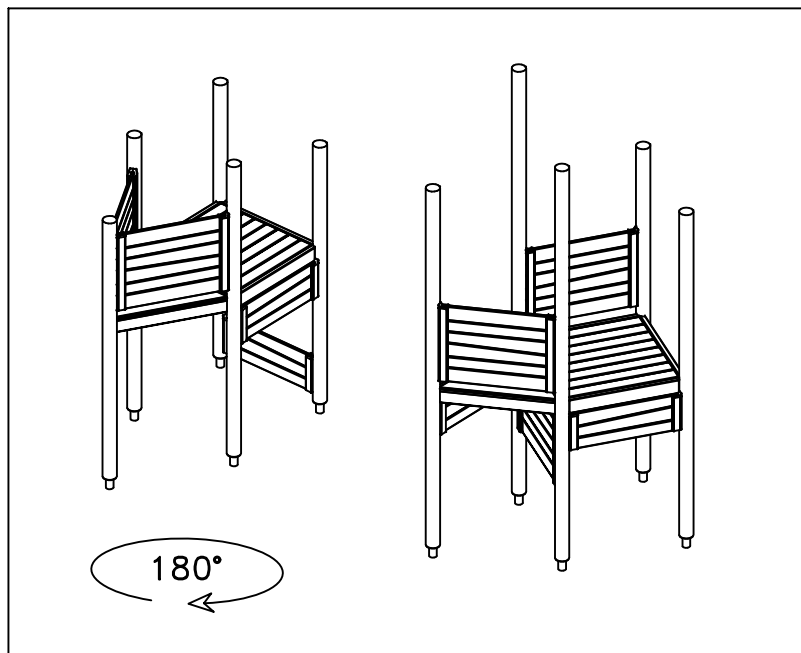
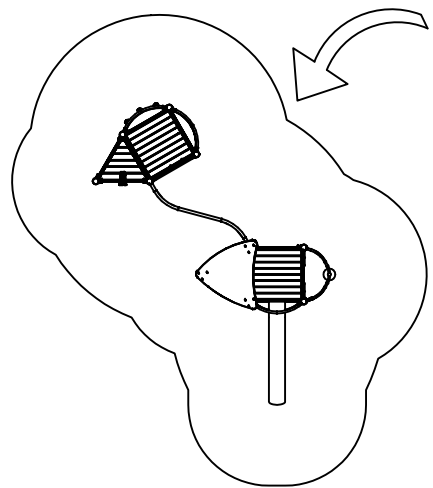
[m]




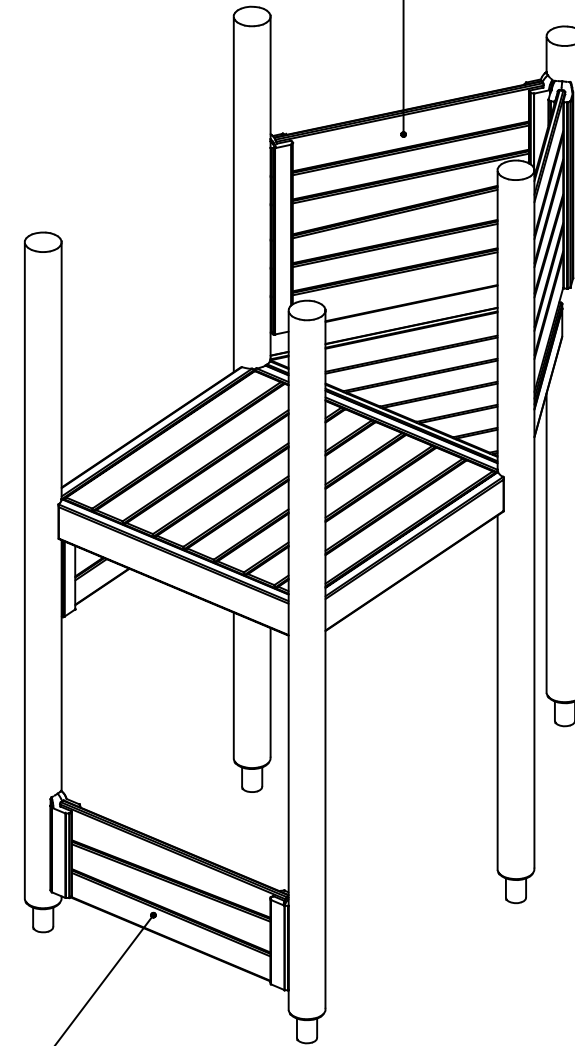
|                                   |  |
|-----------------------------------|--|
| <b>HAGS</b>                       | ANEBY, SWEDEN<br>+46(0)380-47300<br>www.hags.com |
| UniPlay Dalux<br>MASW65217<br>3/8 |  |
| JW                                | JW 2022-12-07 1                                  |

# STEP 2



[m]



 426200  
0,89x0,68  
x5

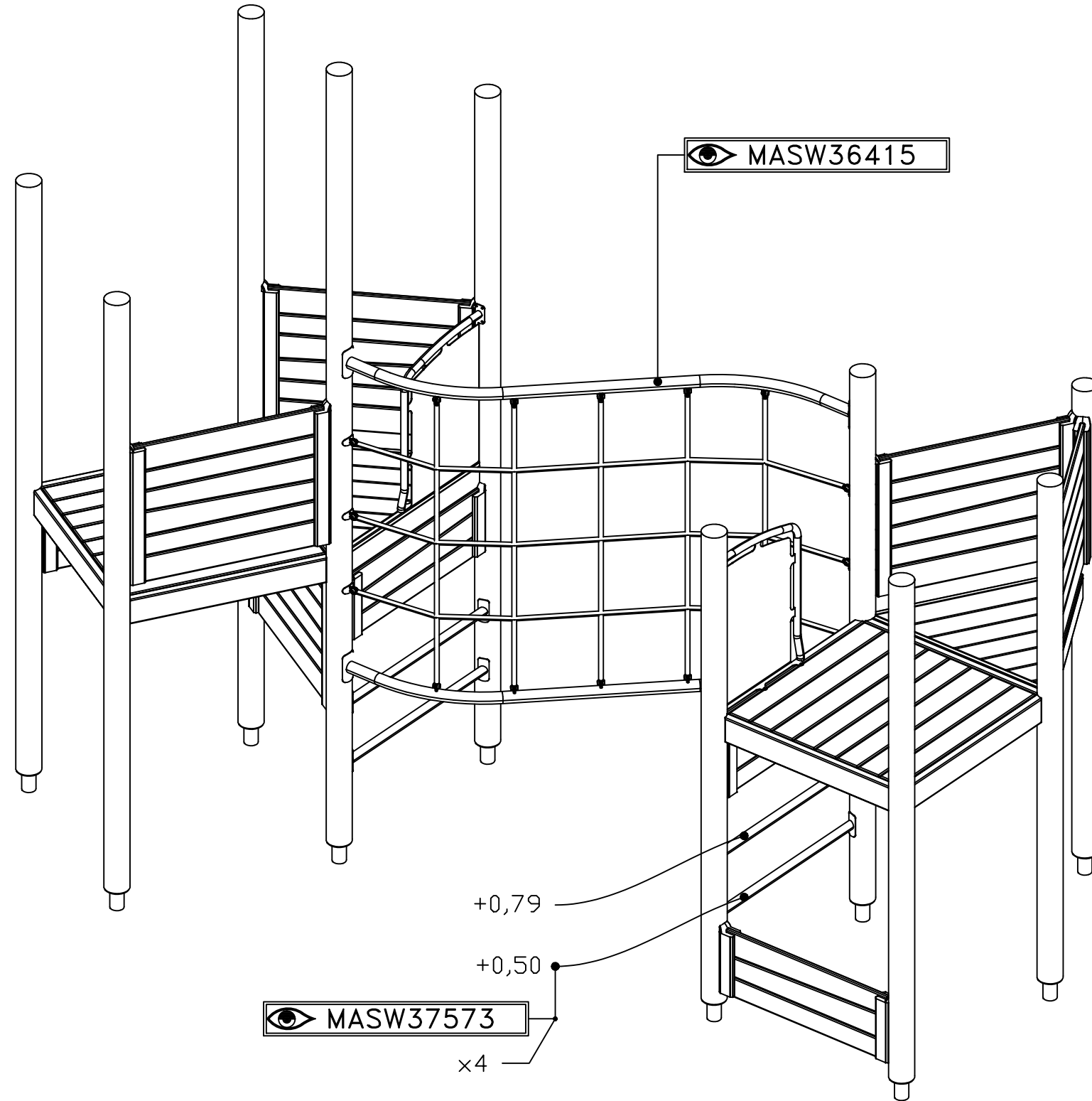
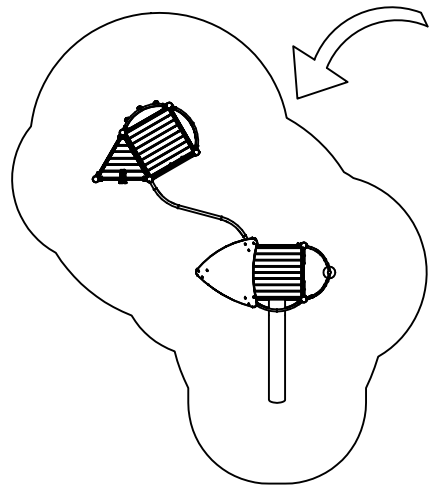


0,89x0,32  
x4

|   |  |              |
|---|--|--------------|
| <b>HAGS</b>   | ANEBY, SWEDEN<br>+46(0)380-47300<br>www.hags.com                                       |              |
| UniPlay Dalux<br>MASW65217<br>4/8   |  |              |
|  JW |  JW | 2022-12-07 1 |

# STEP 3

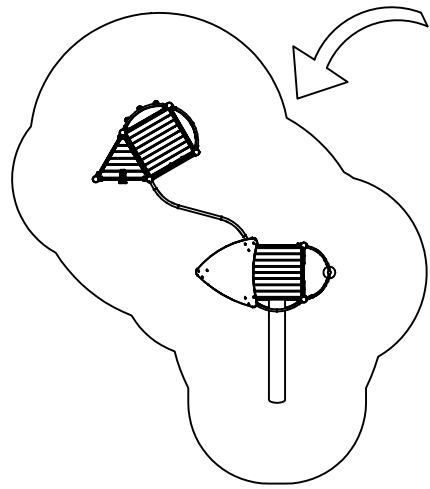
[m]



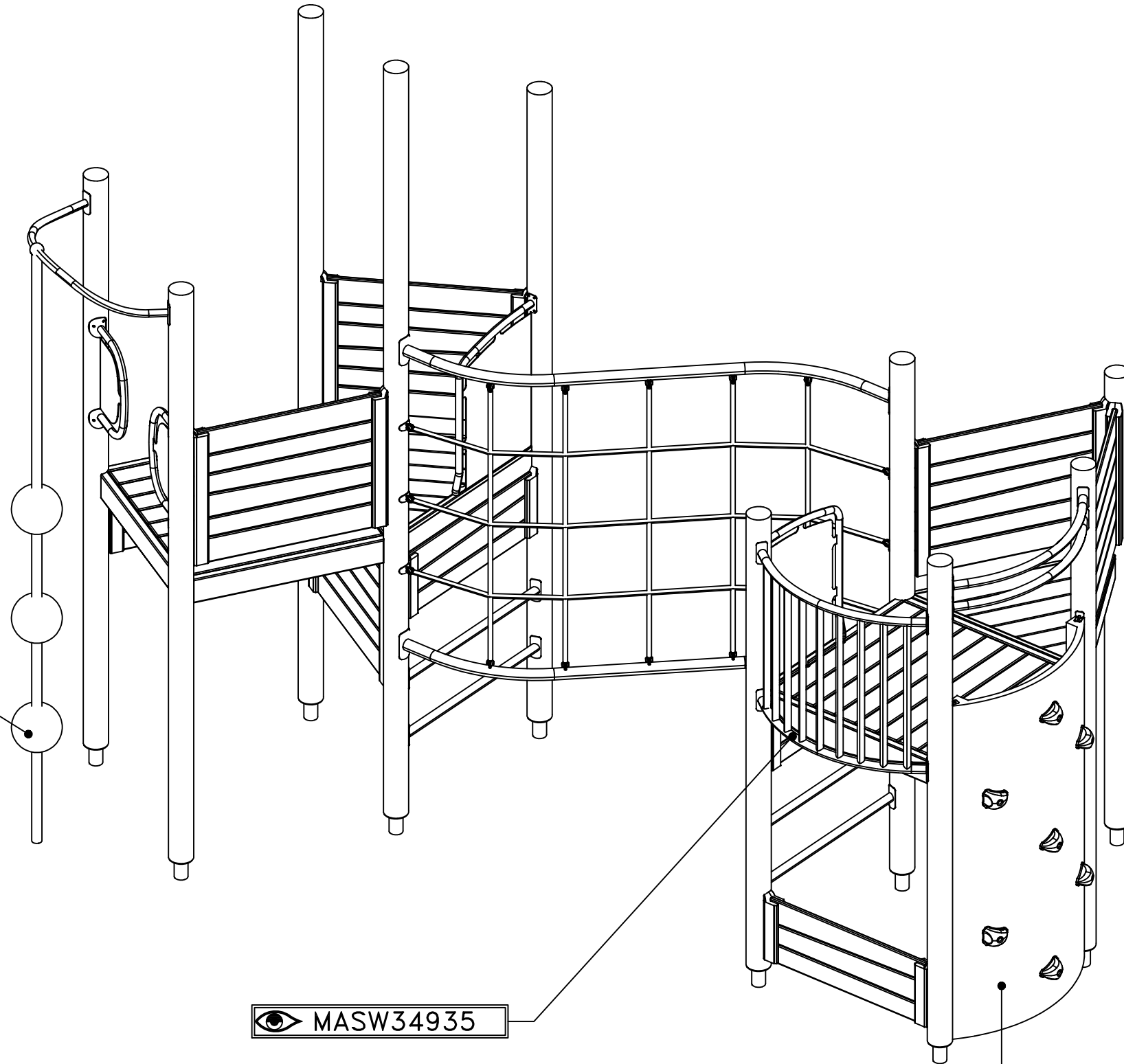
**HAGS** ANEBY, SWEDEN  
+46(0)380-47300  
www.hags.com

UniPlay Dalux  
MASW65217  
5/8

JW JW 2022-12-07 1



MA42077151



MASW34935

MASW39686

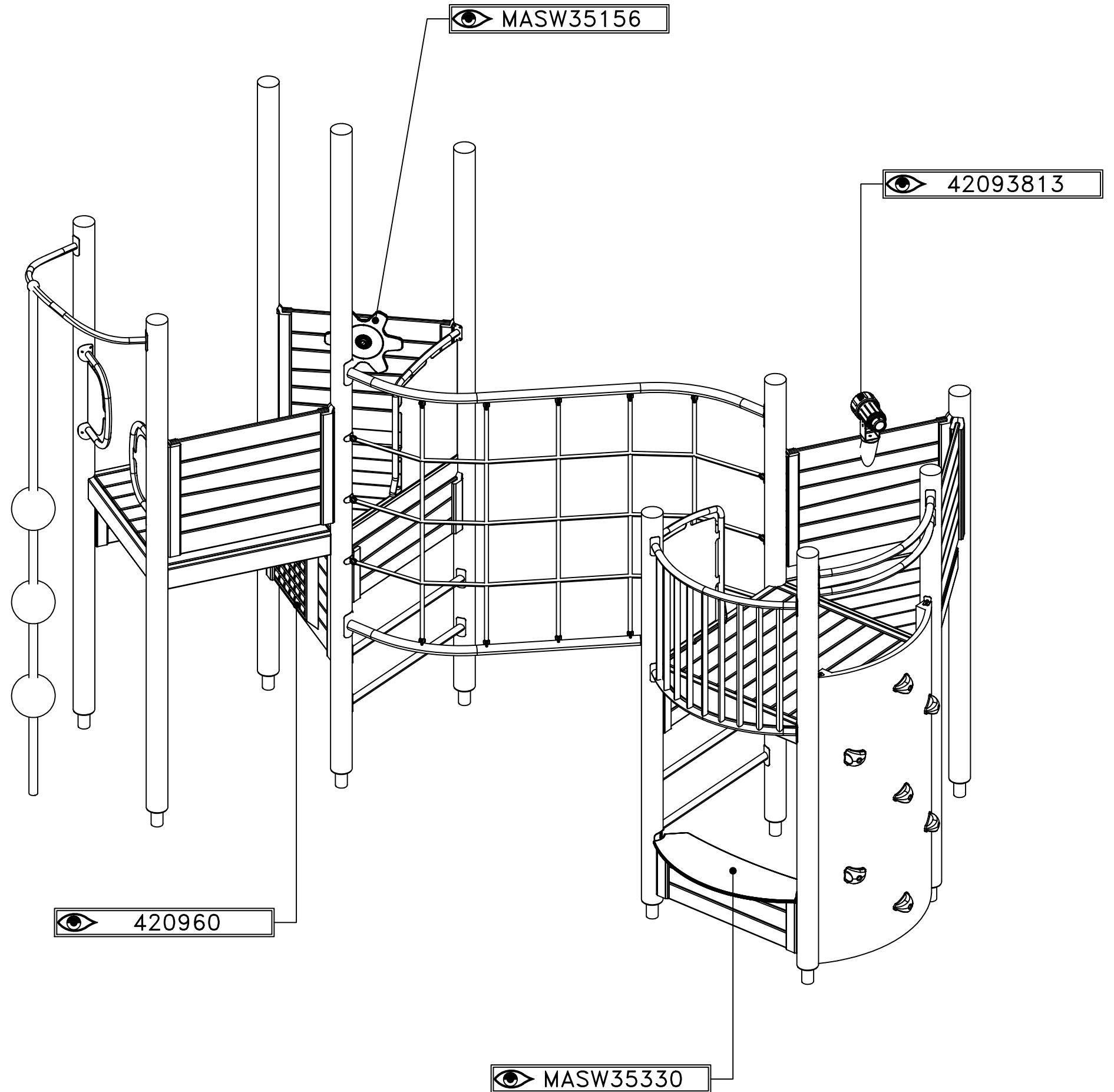
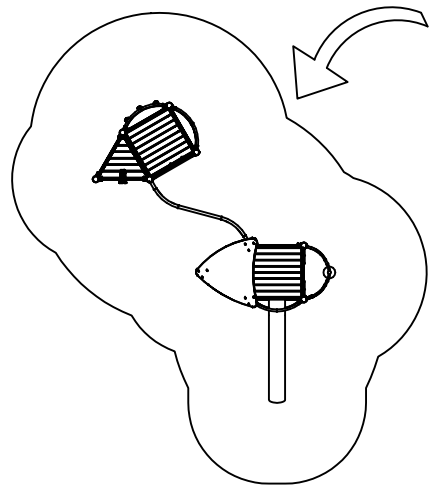
**HAGS** ANEBY, SWEDEN  
+46(0)380-47300  
www.hags.com

UniPlay Dalux  
MASW65217  
6/8

JW JW 2022-12-07 1

# STEP 5

[m]

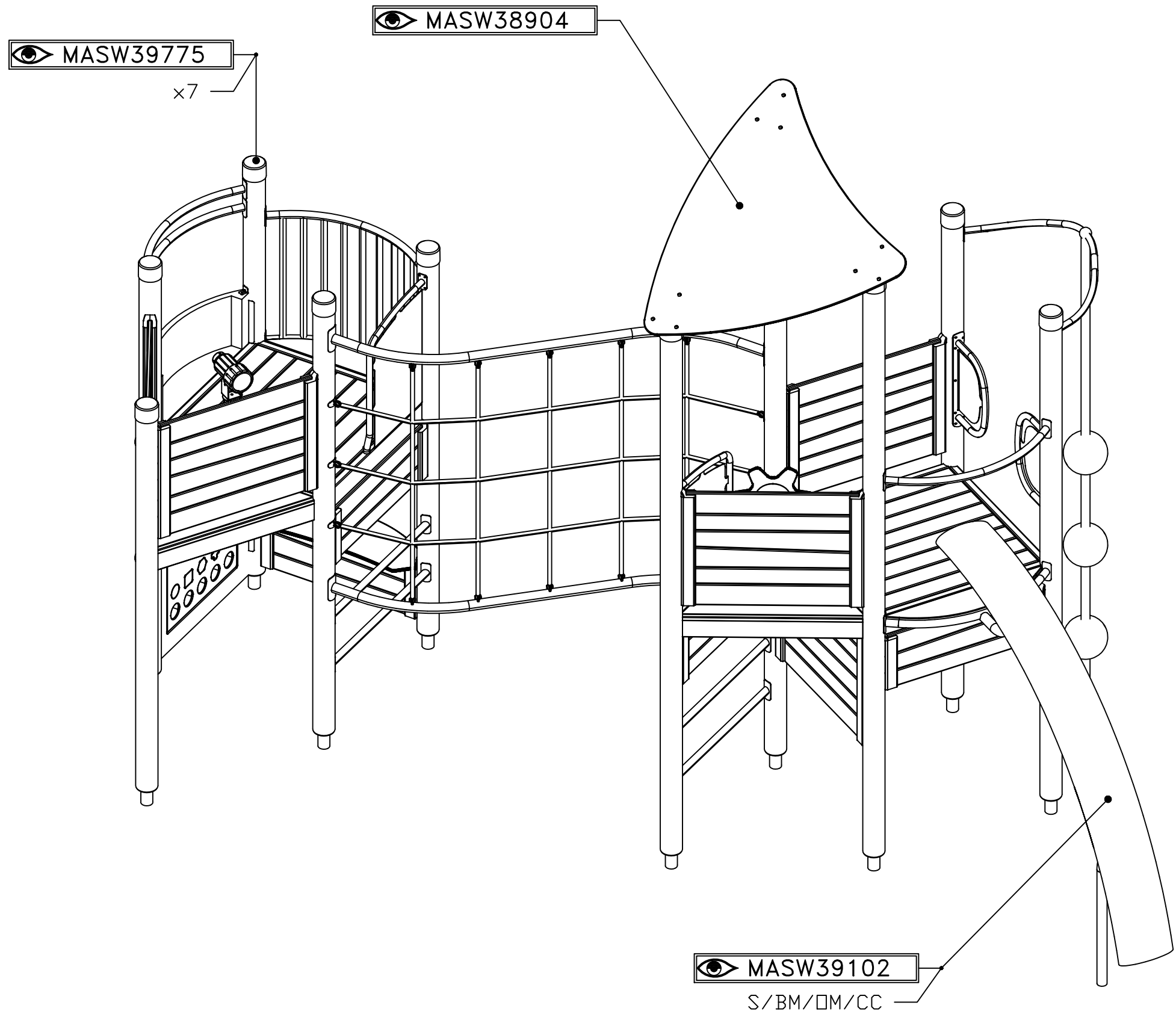
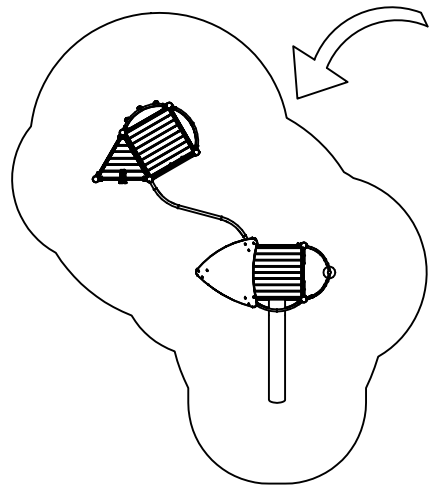


|               |    |                 |    |
|---------------|----|-----------------|----|
| <b>HAGS</b>   |    | ANEBY, SWEDEN   |    |
|               |    | +46(0)380-47300 |    |
|               |    | www.hags.com    |    |
| UniPlay Dalux |    |                 |    |
| MASW65217     |    |                 |    |
| 7/8           |    |                 |    |
|               | JW |                 | JW |
| 2022-12-07 1  |    |                 |    |



# STEP 6

[m]



|                                   |  |            |   |
|-----------------------------------|--|------------|---|
| <b>HAGS</b>                       | ANEBY, SWEDEN<br>+46(0)380-47300<br>www.hags.com |            |   |
| UniPlay Dalux<br>MASW65217<br>8/8 |  |            |   |
| JW                                | JW   | 2022-12-07 | 1 |