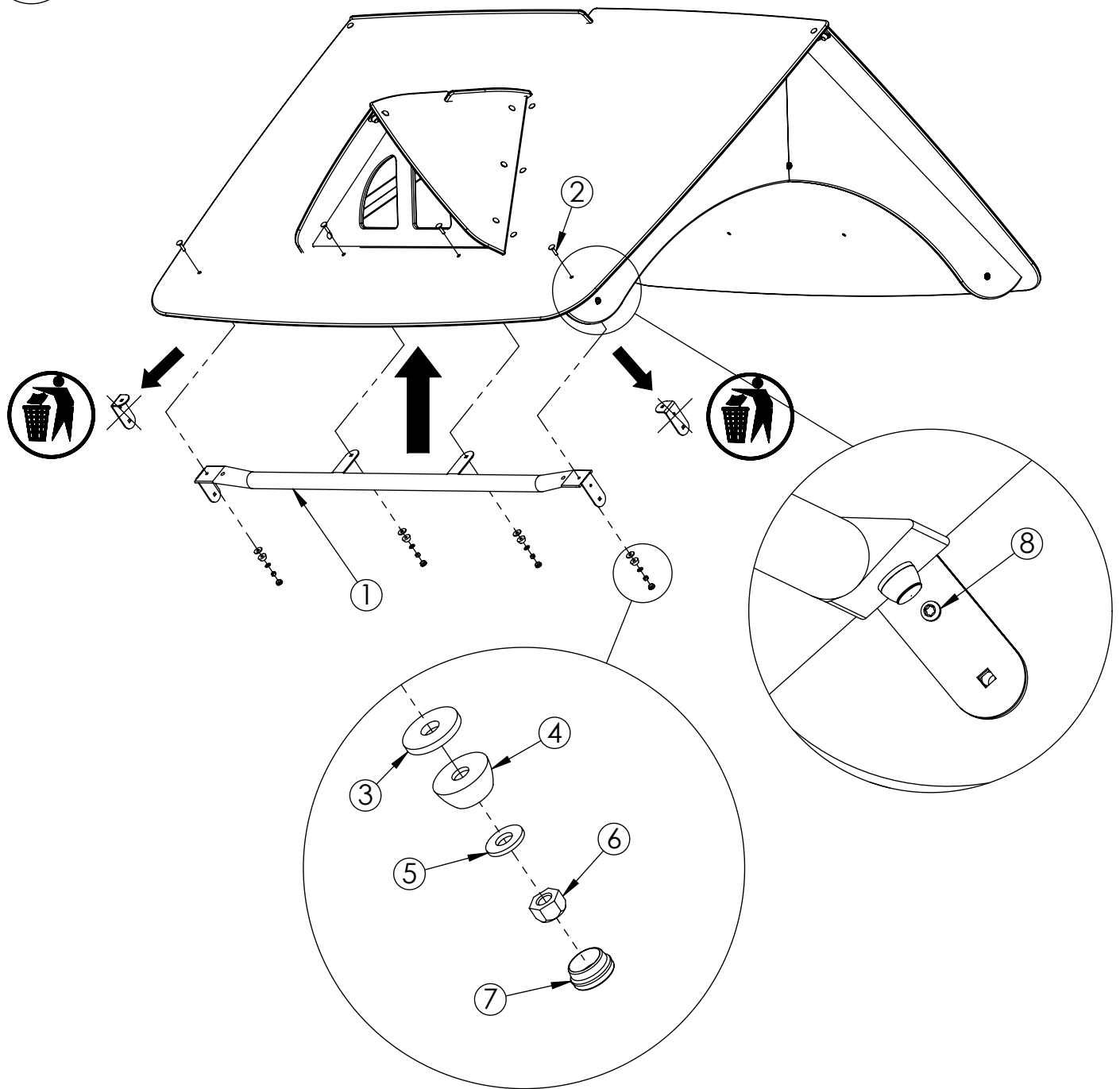


1



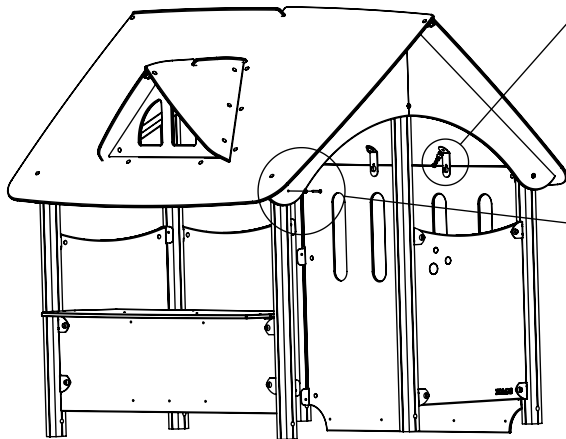
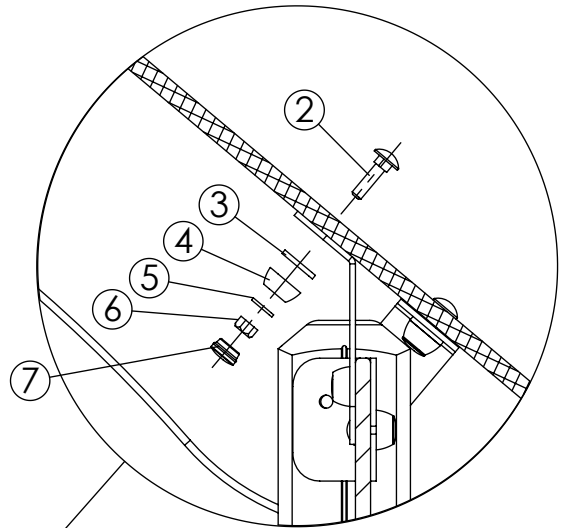
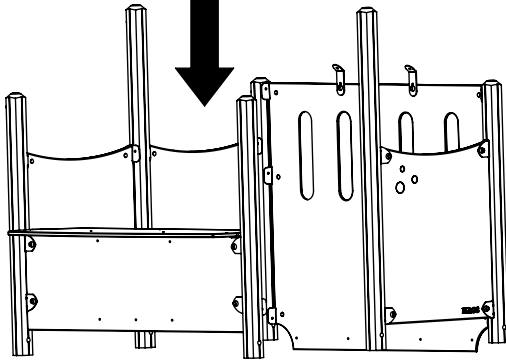
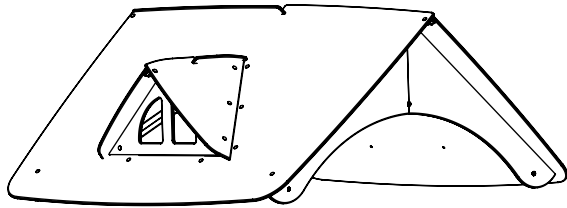
NR.	Description MA	Item Number	Qty
1	1410x114x90	610628/ 61062813	1
2	MVBF M6x25	8008566	14
3	DISTANCE 6 Ø21x27x2,5	261802	12
4	Cap 6 Ø6,5x21 mm	8005951 (261800)	16
5	Ø6,4x14x1,5 mm	326016	14
6	M6M -8 M6 ISO 7042	8042808	14
7	Cover M6, Ø15x10mm	8005952 (261801)	16
8	Screw Duro-PT 5x10 mm	312230	16
9	Ø6 16/7 x 3 mm	8035290	9
10	TKFT 6x50 mm	(8008653) 311102	6

HAGS ANEBY, SWEDEN
+46(0)380-47300
www.hags.com

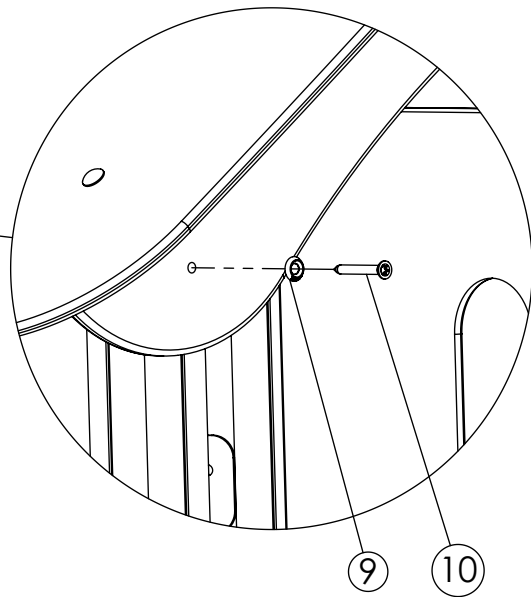
**Roof Beam
MASW39401
1 (2)**

TeK TB 2015-01-23 0

2







6X



NR.	Description MA	Item Number	Qty
2	MVBF M6x25	8008566	14
3	DISTANCE 6 Ø21x27x2,5	261802	12
4	Cap 6 Ø6,5x21 mm	8005951 (261800)	16
5	Ø6,4x14x1,5 mm	326016	14
6	M6M -8 M6 ISO 7042	8042808	14
7	Cover M6, Ø15x10mm	8005952 (261801)	16
9	Ø6 16/7 x 3 mm	8035290	6
10	TKFT 6x50 mm	(8008653) 311102	6

HAGS ANEBY, SWEDEN
+46(0)380-47300
www.hags.com

Roof Beam
MASW39401
2 (2)





 2015-01-23 0