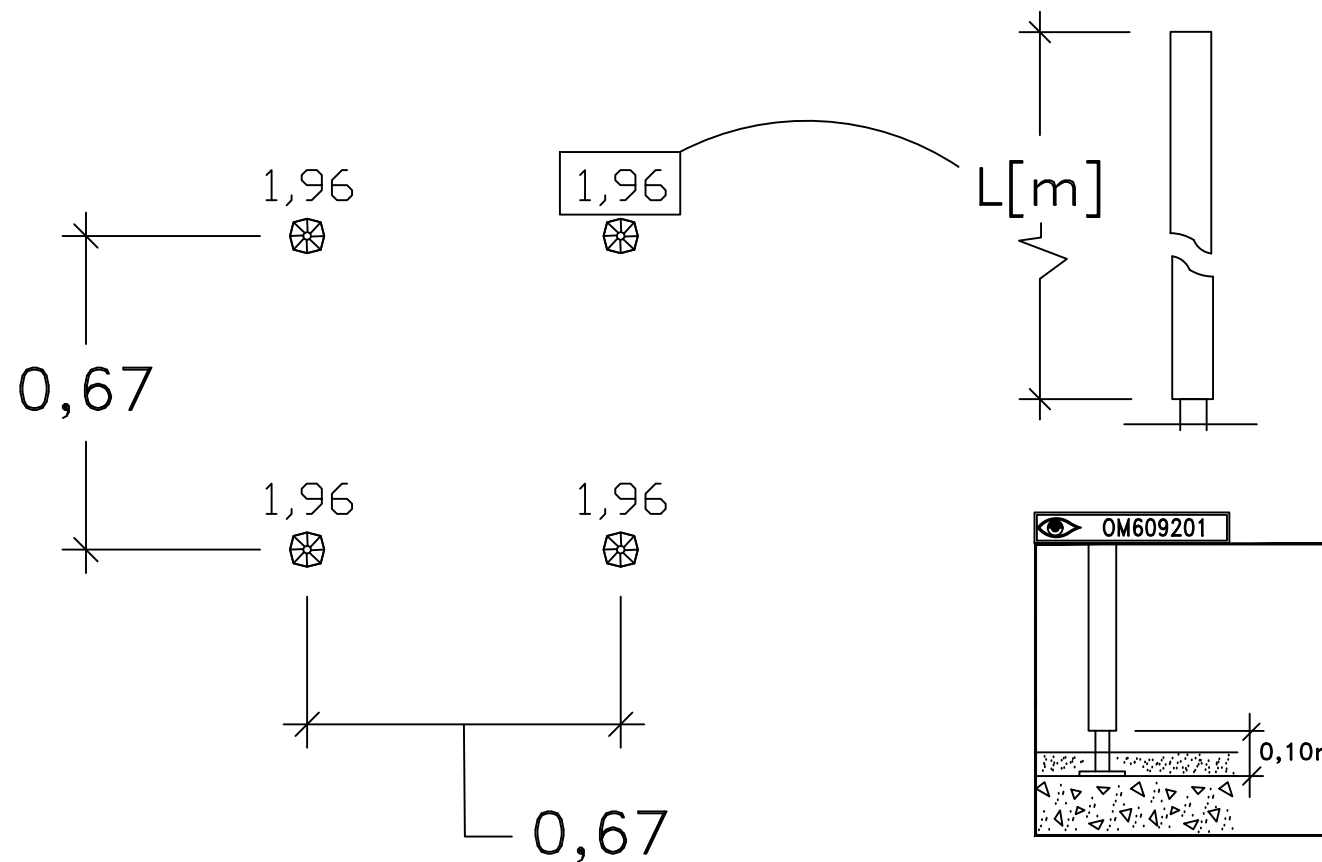
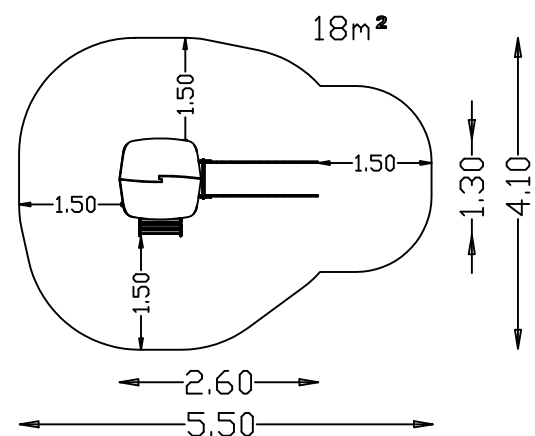


**UniMini Faltow**



**HAGS** ANEBY, SWEDEN  
+46(0)380-47300  
www.hags.com

UniMini Faltow  
8046414  
1/3

JW JW 2022-01-26 4



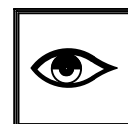
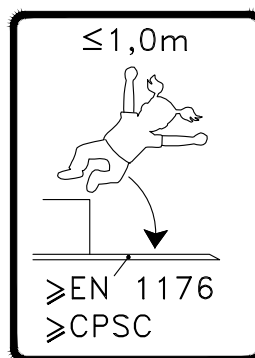
10h



Varje vecka  
Every week  
Jede woche  
Chaque semaine

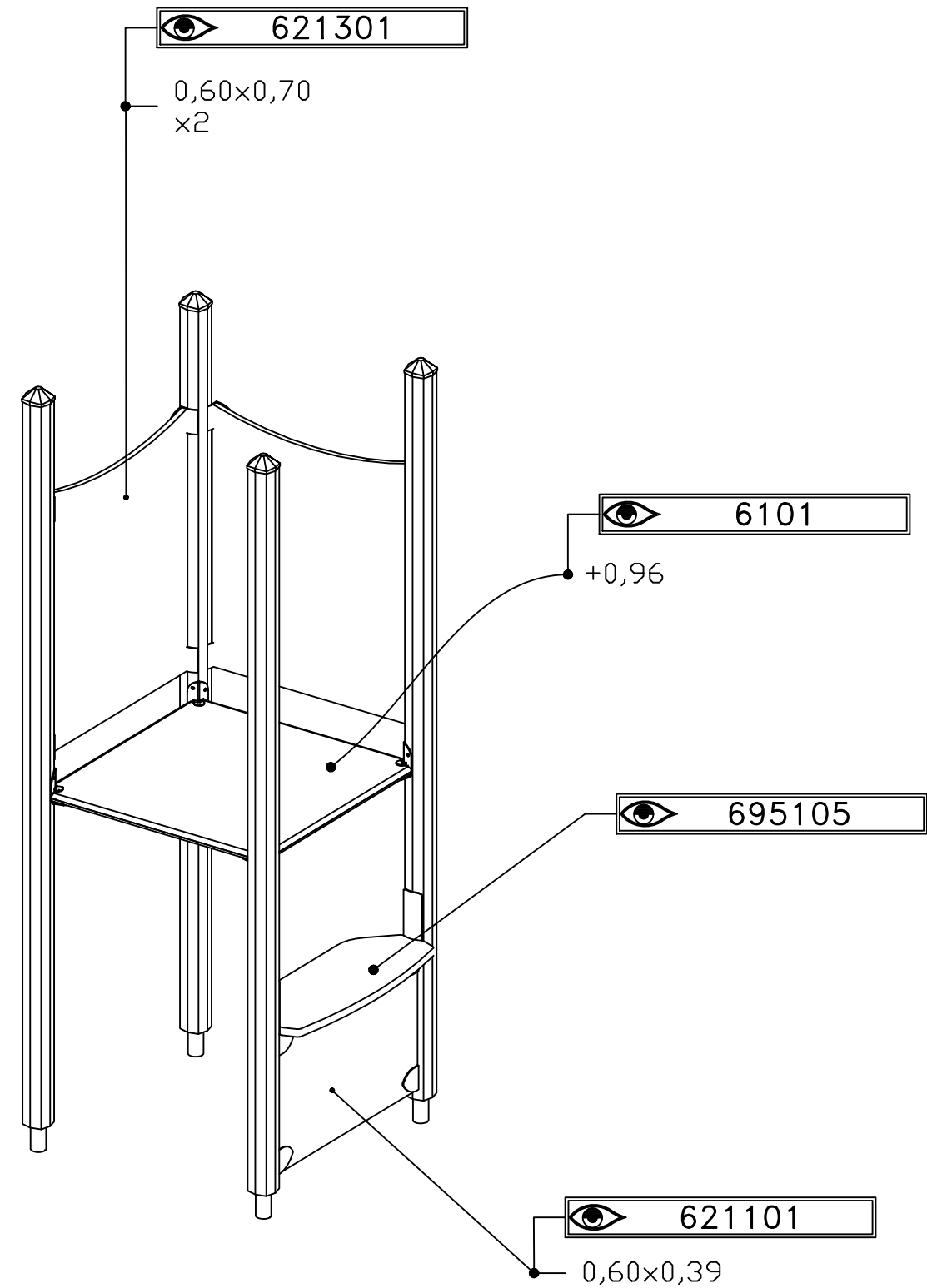
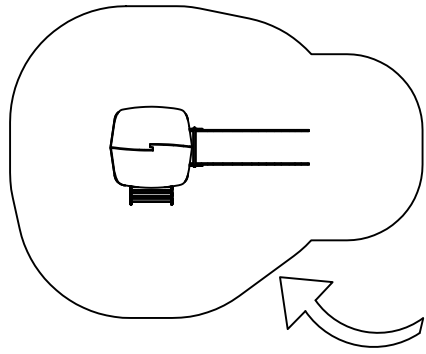


Varje säsong  
Every season  
Jedes Jahr  
Chaque saison



**Step by Step UNIMINI**

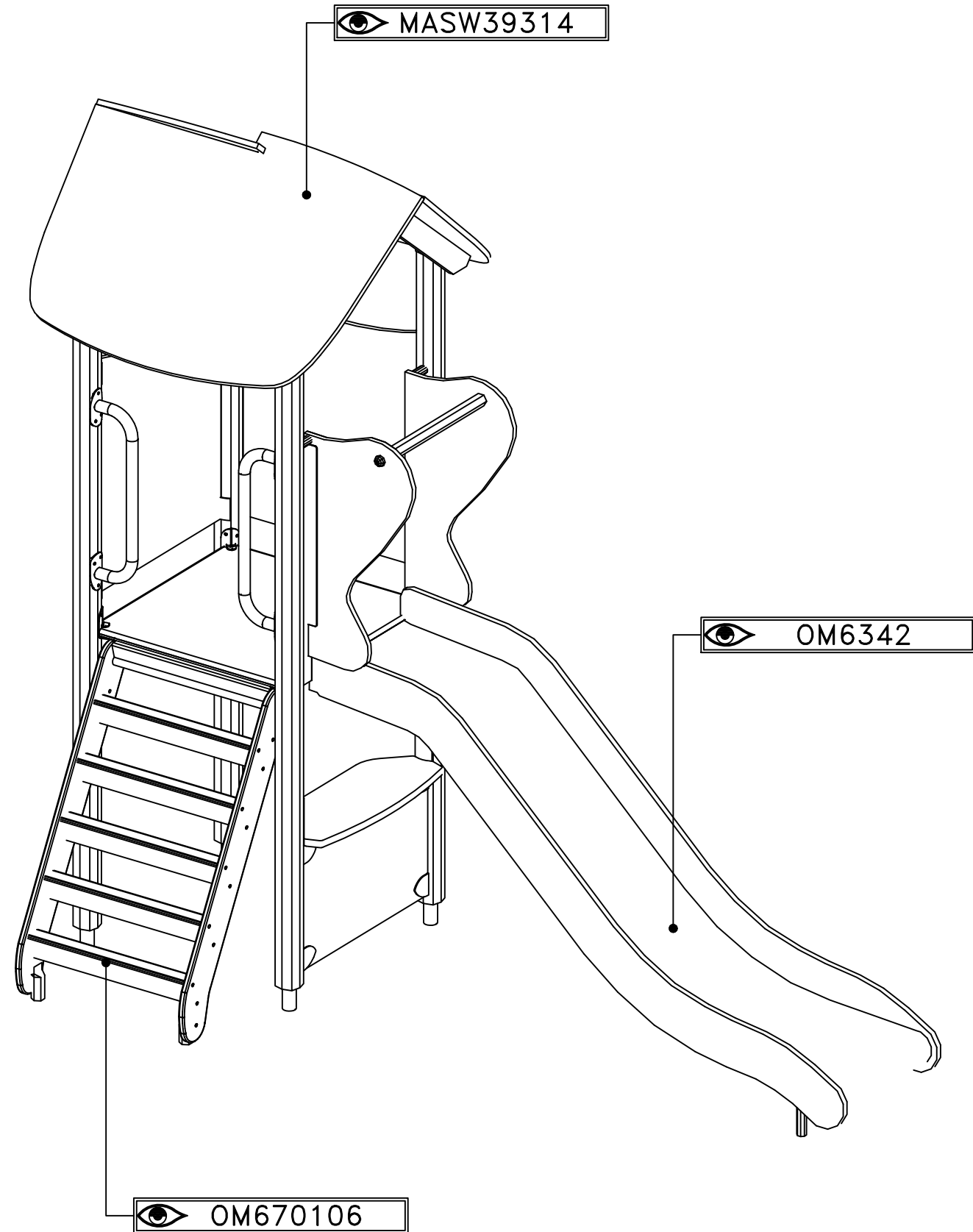
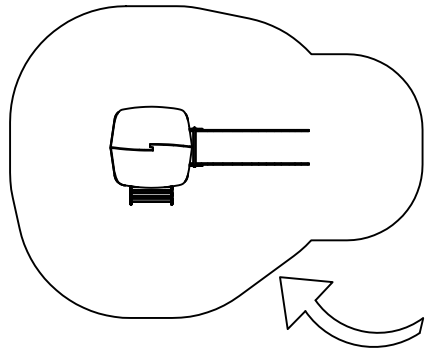
1. Before starting the engine, check the oil level and the fuel level. Make sure the fuel tank is full and the oil level is correct.
2. Check the battery level and the charging system. Make sure the battery is fully charged and the charging system is working.
3. Check the air filter and the spark plug. Make sure the air filter is clean and the spark plug is in good condition.
4. Check the engine oil level. Make sure the oil level is correct.
5. Check the engine oil level. Make sure the oil level is correct.
6. Check the engine oil level. Make sure the oil level is correct.



**HAGS** ANEBY, SWEDEN  
+46(0)380-47300  
www.hags.com

UniMini Faltow  
8046414  
2/3

JW JW 2022-01-26 4



<b>HAGS</b>	ANEBY, SWEDEN +46(0)380-47300 www.hags.com
UniMini Faltow 8046414 3/3	
JW  JW	2022-01-26 4